



## Merano

**Hello.**

**Congratulations on your Merano.**

## Welcome to Coboc

Our brand stands for sustainable design and maximum functionality. We don't mind taking unconventional paths as long as the products we pass on to our clients did fully convince us.

Please make sure to have read and understood the complete user manual before using your Coboc e-bike, as it contains a lot of information relevant to your personal safety. Non-observance may lead to serious accidents, as well as personal or material damage.

Each other person using, repairing, servicing or disposing of your Coboc e-bike, has to fully acknowledge and understand the content of the user manuals.

If there still are any unanswered questions please contact your local Coboc dealer. This user manual is part of the scope of delivery of your Coboc e-bike. It is only valid for the product shipped along with it. Please make sure to store this manual in a safe place.

Please also make sure to enquire information about your national guidelines before using your Coboc e-bike on public roads. Take note that for improvement purposes. The contents of this manual could be altered without prior public announcement.

You may find possible updates at: [www.coboc.biz/bedienungsanleitung](http://www.coboc.biz/bedienungsanleitung)

But for now we wish you an electrifying driving experience.

Your Coboc Team.

State December 2020



Overview to your Merano .....	Page 6	Maintenance & care .....	Page 19
Safety Instructions .....	Page 7	<ul style="list-style-type: none"><li>• Care instructions</li><li>• Safety instructions for carbon components</li><li>• Special features of carbon</li><li>• Care instructions for carbon components</li><li>• Inspection</li><li>• Wear parts</li><li>• Lubrication</li><li>• Repairing punctures</li><li>• Removing the rear wheel</li><li>• Installation of the rear wheel</li><li>• Adjusting the brakes</li><li>• Testing the brakes</li><li>• Aligning your brake caliper</li><li>• Checking the brake pads</li><li>• Checking the rims</li><li>• Derailleur</li><li>• Adjusting the derailleur systemically</li><li>• SRAM X-SYNC drive technology</li><li>• Adjusting the headset</li></ul>	
Quick Start Guide .....	Page 8		
Legal provisions .....	Page 10		
Intended use .....	Page 11		
<ul style="list-style-type: none"><li>• Weight information for your Coboc e-bike</li><li>• Rack</li><li>• (Child) trailers</li><li>• Child seat</li></ul>			
Before every ride .....	Page 12		
Handling .....	Page 13		
<ul style="list-style-type: none"><li>• Operating the Coboc Electric Drive</li><li>• Operating the lights</li><li>• Notes on using the brakes</li><li>• Level of motor support</li><li>• Two different driving modes</li><li>• Gear shift</li></ul>			
Battery & Charger .....	Page 16	Coboc App .....	Page 29
<ul style="list-style-type: none"><li>• Range</li><li>• Charging the battery</li><li>• Storage</li><li>• Transport</li><li>• Disposal</li></ul>		Error codes .....	Page 29
		Tightening torques .....	Page 30
		Technical specifications .....	Page 31
		Frame geometry .....	Page 32
		Warranty & Guarantee .....	Page 33
		EG - Declaration of Conformity .....	Page 34
		Imprint .....	Page 35

## Overview to your Merano



# Safety Instructions

Please make sure that you've carefully read and understood the user manual, before using your Coboc e-bike for the first time, as it contains a lot of safety relevant information.

Non-observance may lead to serious accidents, as well as personal and/or material damage. If you borrow your Coboc e-bike to someone you should insist that those borrowing it have completely read and understood the manual before riding for the first time.

The user manual is best kept close to your Coboc e-bike, so that it is accessible at any time needed. Always drive responsibly, as cyclists are exposed to increased risks, especially when riding on public roads. We recommend wearing a safety helmet during every cycling trip. The safety helmet should be correctly adjusted to your head and its intended purpose. Follow the helmet manufacturers instructions. Wear a suitable outfit. It should be bright and you should attach reflectors so that other road users can recognize you early enough. Clothing in the leg area should have a tight fit so that your clothes can't get caught in your Coboc e-bike.

Use cycle clips if needed. Entangling clothes in your Coboc e-bike may result in an accident. Take into account the increased performance. Due to the electric motor in your Coboc e-bike the performance is considerably higher than that of ordinary bikes. On the one hand this means that higher top speeds can be reached and on the other hand that more torque is transmitted to the rear wheel. This may lead to unusual sliding of the wheels, especially on wet ground.

Get used to your Coboc e-bike. The special characteristics of your Coboc e-bike require you to familiarise with them in safe and open areas. Only use your Coboc e-bike in public as soon as you have it under control.

Symbolism: for a more simple readability certain points in this user manual are highlighted. We used the following symbolism for that:



**INFO:** This symbol highlights valuable information and points worth knowing.



**CAUTION:** This symbol warns you against improper use, that may lead to environmental pollution, damage to your Coboc e-bike or other material damage.



**WARNING:** This symbol indicates possible health hazard and danger to life, that may occur if the e-bike is being operated incorrectly or used improperly.

## Quick start guide

### SCOPE OF DELIVERY

- Coboc Merano
- battery charger
- Coboc URB pedals
- hex socket key
- user manual
- reflector set with bicycle bell

### SET-UP

Coboc e-bikes are almost completely assembled at the point of delivery. However, handlebar and pedals are loosened for transport, which is why, prior to your first ride, you must bear in mind the user manual while taking the following steps. Particularly take into consideration the safety instructions and the indicated tightening torque for screw fittings (s. *chapter Maintenance & Care such as Tightening torque*).

#### Checking tire pressure

Check for tire pressure before the start of every journey. The correct pressure is given on the side of the tire and can differ depending on the tire model.



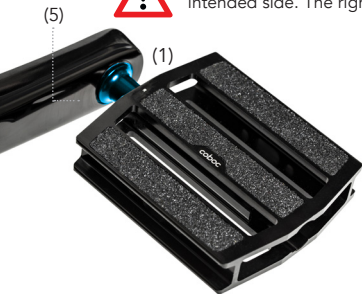
The minimum air pressure of your Coboc e-bike should never fall below 32 psi, as allowing the pressure to get that low may lead to serious damage on the rims.

#### Screwing on pedals

Lightly grease the pedal threads before screwing them into the intended cranks (5).



Both pedals have different threads and need to be screwed in at the intended side. The right pedal has a right-handed thread, while the left pedal has a left-handed thread. Mixing them up may lead to damaged crank arms or pedal threads. Make sure both pedals are tightened.



#### Aligning handlebar and stem

First loosen both screws (1). The fitting hex socket key is included with delivery. Align the handlebar in a way that stem and front wheel are in line with each other. Now tighten screws (1) again. Afterwards loosen the four screws in the stem (3). Turn the handlebar into desired driving position and tighten screws afterwards. Make sure that you tighten all four screws (3) equally.

#### Adjusting brake levers

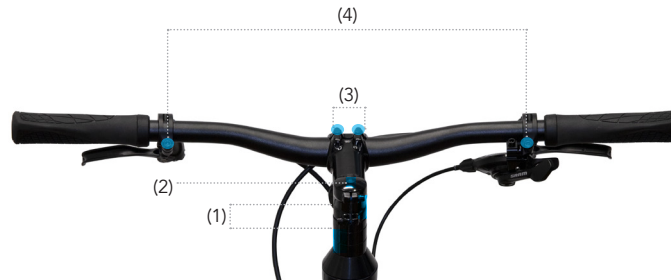
Loosen the clamp screws (4) and adjust the brake lever according to your preferred grip position. It should be comfortable and safe at the same time. Afterwards tighten the clamp screws (4) again.

#### Setting headset bearing

Check if the headset bearing has play. To do that, you must pull the front brake while pushing your e-bike back and forth a couple of times. The handlebar should be able to slightly move from left to right, while bearing clearance should stay at a minimum. If there is bearing clearance, again loosen both screws (1) and slowly tighten screw (2) until the bearing has no play anymore. Afterwards tighten both screws (1) again.



Do not tighten screw (2) too much, as this may lead to a damaged headset bearing. If the handlebar only turns with effort, then this could mean that screw (2) has been tightened too much. If this is the case, loosen screws (1) in order to slightly loosen screw (2). Afterwards tighten both screws (1) again.





## COBOC ELECTRIC DRIVE

### Operating the Power Button



Briefly pressing the power button (7) of the user interface, positioned at the bottom side of the top tube, activates the Coboc Electric Drive. Your LED display (6) is going to show at least one lit LED, in order to indicate the battery level of your Coboc e-bike. Putting more force into the pedals means unfolding more motor power. As soon as you stop pedaling, the motor support stops too.



Because of the electrical support you are going to be much faster and dynamic on the road than you are used to with ordinary bikes. We suggest you take your time to get used to this new driving behavior.

### Battery level – LEDs are lit up

- 5 LEDs are lit up in blue → battery level of 80 % to 100 %
- 4 LEDs are lit up in blue → battery level of 60 % to 80 %
- 3 LEDs are lit up in blue → battery level of 40 % to 60 %
- 2 LEDs are lit up in blue → battery level of 20 % to 40 %
- 1 LED are lit up in blue → battery level of 1 % to 20 %

### Errors – LEDs are flashing

- 4 LEDs are flashing red → something is wrong with the motor cable
- 3 LEDs are flashing red → something is wrong with the bottom bracket torque sensor
- 2 LEDs are flashing red → other mistakes
- 1 LED are flashing blue → battery level is too low

### Turning your lights on and off

Your Coboc e-bike is equipped with a lighting system. You can turn this system on and off by pressing down on the power button (7) for 3 seconds. This is also possible if the Coboc Electric Drive is turned off.

## RIDING

Your Coboc e-bike drives like an ordinary bike – only it's more dynamic. The more force you use to tread the pedals, the more force is unfolded in the motor. As soon as you stop treading the pedals, the motor stops supporting you.



You are going to be much more dynamic with your Coboc e-bike than you are used to. Slowly get used to your Coboc e-bike.



Should you ever have the feeling that the motor support is tuning in too early or too late, meaning at very low or very high pressure on the pedals, note that you can always re-calibrate the torque sensor. You can find all the necessary information at our helpcenter [www.support.coboc.biz/](http://www.support.coboc.biz/) navigating to 'Service and Care' → 'how do I calibrate my Coboc e-bike?'.



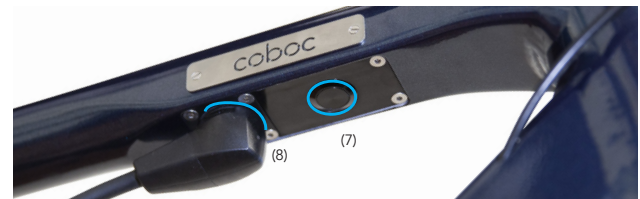
In the event of irregularities in operation or other mistakes, resetting the user interface might help. To do this you need to press and hold the power button (7) for about 20 seconds. Your e-bike is going to signalize a successful reset by briefly flashing the LEDs in blue and subsequently scrolling them from left to right in green light.

## CHARGING

The charging socket (8) is placed right behind the power button (7) at the user interface. Simply connect the magnetic charging plug to start charging your Coboc e-bike.

A full charge of the battery from 1% to 100% usually takes two and a half hours with the regular Coboc charger ST 4A. However, the battery is already charged to 90% after two hours, which means that the charging time for the last 10% takes a bit longer (half an hour).

The ideal outside temperature for battery charging is somewhere between 5°C and 25°C. At temperatures below 0°C or above 40°C electronics disables charging, in order to protect the battery from getting damaged.



## Legal provisions

Please observe the existing regulations and laws in your country before using your Coboc e-bike on public roads. Below are shown the current most important regulations for Germany only. For a complete listing of regulations we refer you to the according legislative texts. Since pedelecs are a rather young vehicle category, so are related laws and regulations. As these regulations are constantly changing, please make sure to frequently check for any changes in legislation and regulation.

Within the EU, pedelecs with assisted pedalling up to 25 km/h and a motor with a continuous performance of 250 watts are controlled with the same regulations as ordinary bikes. E-Bikes with pedal assistance that may reach higher top speeds and/or higher motor performance are, according to EU directive 2002/24/EG, referred to as low-performance mopeds. Such vehicles require a type approval, such as the duty to wear a helmet and an insurance obligation.

Coboc e-bikes are shipped with 25 km/h and a motor performance of 250 watts as standard, which is why, according to EU directive 2002/24/EG, they are exempt from type approval.

German road traffic regulations (StVO) and road traffic licensing act (StVZO) apply if using public roads. Additionally, the StVZO requires the following for e-bikes:

A clearly audible bell.

A permanently fixed lighting system with white headlight and red rear light. In order to use the lighting system, e-bikes need to be equipped with either a generator or a rechargeable energy storage or a combination of both.

The following reflectors need to be attached to the e-bike:

- A white reflector in the front.
- A red reflector in the back, it may not be a triangular reflector of the category "Z". It may, however, be integrated into the rear light.
- Laterally fitted reflectors have to be attached at the front and rear part of the e-bikes, while at least one has to be attached to the spokes. Alternatively, you may use tires with reflective rings on both front and rear ends. Every laterally fitted reflector needs to have the same colour (yellow or white).
- Pedals need to be equipped with reflectors radiating to front and back.

According to StVZO, bicycle bell and reflectors need to be attached to the e-bike for use on public roads. If necessary a lighting system needs to be retrofitted to the e-bike. Please make sure that your lighting system is at no time concealed. You may not use your Coboc e-bike on public roads if the lighting system is somehow damaged. Please contact your local Coboc dealer if repair or maintenance is necessary.

Responsibility for road safety for every Coboc e-bike remains with the customers.

## Weight information for your Coboc e-bike

Don't overload your Coboc e-bike. The permissible total weight must not be exceeded. It consists of the weight of the Coboc e-bike + rider + luggage + other payload (child seat, e-bike trailer, etc. ...).

max. total weight	bike weight	max. rider weight	max. rack load	max. trailer total weight
140 kg	16 kg	120 kg	10 kg + 10 kg	50 kg

## Rack

A detachable Coboc rack and mudguards are installed on your Coboc e-bike. A maximum of 10 kg may be loaded on each side of the luggage rack. You should always bear in mind, that the permissible total weight should not be exceeded even with luggage. Regularly check that mounting screws for the mudguards and luggage rack are tightened firmly.

An attachment is available for your Coboc rack that offers you a conventional luggage carrier platform. You can get the attachment in two versions from your Coboc specialist dealer:

1. with spring flap
2. with Racktime SnapIt2 system. With this attachment and the corresponding Racktime Snap-It2 adapter it is possible to mount various Racktime Snap-It system bags or / baskets on the carrier of your Coboc E-Bike.

The total system carrier with attachment can be loaded with a maximum of 20 kg. It is essential that you have your Coboc dealer carry out the assembly of your carrier attachment.



Don't take anyone with you. Your Coboc e-bike is designed solely for the transportation of individuals. Exceptions are the transport of children in a suitable child trailer or child seat. Observe the national legislation and the permissible total weight of your Coboc e-bike. According to the StVO, the transportation of luggage requires a suitable device on the bicycle.

## (Child) trailers

Your Coboc e-bike can pull a one or two-lane (child) trailer. It should be installed on the KSA18 rear stand holder of your Coboc e-bike frame using a Weber EU coupling and shall not exceed a total weight of 50 kg. The maximum permissible total weight of your e-bike must not be exceeded even with a trailer and payload. For more information, contact your Coboc dealer. Always have a Coboc dealer carry out the installation of a trailer.

## Child seat

Your Coboc e-bike is suitable for mounting a child seat with a clamp on the seat tube (e.g. Römer Jockey) of your e-bike frame. Only use tested and approved child seats with this type of attachment. For more information, contact your Coboc dealer. Have the child seat installed by a Coboc dealer.



Children sitting in child seats should always wear a suitable helmet. If your Coboc e-bike is parked on the side stand, there should not be any child sitting in the child seat, because there is an increased risk of tipping over due to the shifted center of gravity.



Your Coboc e-bike is not meant to be exposed to extreme stress like riding stairs or ramps, so we recommend avoiding such scenarios.

If your Coboc e-bike is equipped according to the national legislation, it may be used on public and paved roads. Please bear in mind the tips in *chapter 5 – Legal regulations*.

Also note that complying to the operation and maintenance conditions explained in this user manual is part of the intended use for Coboc e-bikes.



Your Coboc e-bike is not a toy. Do not let children handle your Coboc e-bike without detailed instructions or leave them unattended at any time. You should brief children on the dangers associated with the use of electronic devices. Please follow the regulations for minimum age of use that are valid in your country.

## Before every ride



The A-weighted emission sound pressure level at the driver's ears is less than 70 dB(A).

Coboc, such as our dealers, assumes no liability for any use other than the one intended, especially regarding non-compliance with the information given in this user manual.

Make sure your Coboc e-bike is ready for operation and that it is adjusted to your body height. Saddle height and handlebar position should be adjusted properly. Your saddle should be set to a comfortable and safe height.



Choosing a frame size that does not suit your height or a defective adjustment may lead to loss of control and ultimately may lead to slips or crashes which again may lead to serious injuries and damage. If you have problems with picking the right frame size or how to properly adjust your Coboc e-bike, please refer to your local Coboc dealer.

### Adjusting the saddle height



The seat post may under no circumstances be put higher than the minimum depth of insertion. A mark at the seat post signals the designated minimum depth of insertion. Pulling the seat post out too far may result in crashes and serious damage to you and your e-bike. By using your Coboc e-bike when the minimum insertion depth is undershot, the Coboc manufacturer's warranty for any resulting damage to your e-bike is void.

You may position your saddle in three different directions. First, make sure that the seat post clamping at the frame and the saddle clamping at the seat post are firmly tightened. Sit on the saddle and put one foot on the pedal while posting your other foot on the ground. Now use your heel to carefully tread the pedal until the crank arm is in line with the saddle tube. If you are standing on the pedal but your leg is not fully extended, this means that the saddle is probably too low. Vice versa if you have to reach for the pedal or if you have to tip your pelvis forward, that means that your saddle is positioned too high. If needed, you can loosen the seat post clamping at the frame, adjust the correct saddle height and tighten the clamping again.

Make sure that the saddle is in line with the top tube of your e-bike. Again, you may loosen the seat post clamping, in order to move the saddle left and right, before tightening it again. It is also possible to change the saddle tilt relative to the top tube. Just loosen the clamping at the seat post, adjust to your needs and tighten again.

### Align the grips

Ergonomic Ergon GA30 grips are installed on your Merano. With their enlarged contact surface on the ball of the hand, they effectively prevent the wrists from kinking and enable fatigue-free riding. So that they can perform their function optimally, they must be mounted so that the contact surface is horizontal. The slot on the screw connection of the handle should be horizontal to the surface.



Please bear in mind the permissible torque for all these steps (s. *table Tightening torque*) and make sure that all screw fittings are tightened before using your Coboc e-bike or sitting on your saddle to adjust it again.

### Regular monitoring

Make sure that the lighting system on your Coboc e-bike works in the front and in the back.

You should be able to reach both braking levers without any problems. Also make sure to know which braking lever applies to which brake. As standard, the right brake lever applies to the rear brake and the left brake lever applies to the front brake. Note that the braking distance increases and that the tires might block faster if the ground is wet.

Make sure that the screws for your saddle, handlebar and brakes are tightened enough (s. *table Tightening torque*). In case of doubt you can try twisting saddle, handlebar or brakes. Nothing should move. Also make sure to regularly check all other screw fittings and ensure yourself that they are tightened correctly. Make sure that frame and fork are not damaged.

Check regularly for abrasion of friction components within the brakes (s. *chapter Maintenance & care*).

### Testing the brake system

Push your Coboc e-bike forward while pulling the rear brake. If everything is adjusted correctly the rear wheel should be blocking. If applying the front brake, your rear wheel should leave the ground. Steering should not rattle or have any play. The brake levers should not be pulled more than halfway through during this test.

### Checking the wheels

Check the wheels and tire pressure! Inspect the tires and rims for abrasion, damage, tears, deformations or smaller pieces that might be pushed in (e.g. glass fragments or nails). We advise you to use a suitable bicycle pump with built in pressure gauge. The optimal tire pressure is indicated on the side of the tire and may differ depending on the tire model. In case of doubt, or if you use components other than those already built in as standard, please refer to the tire manufacturer, to ask for the correct tire pressure. If tire pressure is too low, there is an increased risk of having flat tires due to rims pressing through the tire. Furthermore this might cause sustainable damage to the rim.

If the pressure is too high, tires or rims might be damaged. In any case, wrong tire pressure might cause crashes.



If you are not sure whether your Coboc e-bike is in technically safe condition, do not start your ride. Let your local Coboc dealer or a service partner check your e-bikes condition.



The minimum air pressure for your Coboc e-bike must not be less than 2.2 bar. Driving with too little air pressure can damage the rim.

If you use your Coboc e-bike extensively then make sure to have your e-bike checked more regularly from your Coboc dealer or a service partner (s. *chapter Maintenance & care*).



Before your ride, make sure that your battery level is high enough for the intended journey (s. *chapter Battery level*).

We assume that as a Coboc e-bike user you have gathered enough basic experience with ordinary bikes. If this is not the case, we recommend practicing on a e-bike without motor support. Because of the strong acceleration and the increased maximum speed it is recommended for you to be able to handle e-bikes very good.

Get used to your Coboc e-bike. The special driving characteristics for Coboc e-bikes require for you to familiarize with it on different terrain. Make sure that you got it under control before starting to use your Coboc e-bike in public.

### Operating the Coboc Electric Drive

Your Coboc e-bike has two operating modes:

“Bike off” / manual riding: You can always choose to ride your e-bike without motor support. Motor support is turned off, if the five LEDs on the top tube are not lit up. You should keep motor support turned off, if storing or not using your Coboc e-bike.

“Bike on” / riding with motor support: Pressing the power button turns on motor support for your Coboc e-bike. Motor support is turned on, if the five LEDs on the top tube are lit up. In a turned on state LEDs indicate the battery level and motor support goes up to maximum speeds of 25 km/h.

### Turning off

To turn your e-bike back off, just press the power button again in “bike on” mode. Your Coboc e-bike turns off automatically after staying unused for more than three minutes.

## Handling

### Operating the lights

Your Coboc e-bike is equipped with an integrated lighting system, which can also be operated by the power button. You can turn it on and off by pressing down the power button for three seconds. The lighting system is controllable in both "bike on" and "bike off" mode and turns off automatically after your e-bike stays unused for more than four minutes.

Due to residual charge the lighting system can be used for up to two hours after battery discharge.



## Notes on using the brakes

Make sure to know which brake lever belongs to which brake before starting your ride. As standard the right brake lever belongs to the rear wheel brake and the left brake lever belongs to the front wheel brake.

Regularly check the friction components for wear.

It is important for you to also check the wear on your rim brake flanks. Also make sure to check for brake pad wear on the brake shoes (s. *chapter Maintenance & care*).

If wear is too heavy on any of these components, this may lead to total failure of the brake system. Hard falls and serious injury can be the result.



Use your brakes in a controlled and well-timed way. Too heavy braking may leave your wheels blocked and therefore lead to loss of control. Hard falls and serious injury can be the result.

## Hydraulic disc brakes

Avoid using the brakes permanently if riding downhill for longer periods as this might cause steam bubble formation and therefore lead to loss of control. Hard falls and serious injury can be the result. Always try to fully release the brakes or to switch between front and rear wheel brakes. That way the brake system can cool off. If necessary take a short break to cool it off. Always check the braking point before your journey. If you are able to pull the lever all the way back to the handlebar or of the braking point changes while riding you may not continue riding. Let your Coboc dealer either bleed your brake or fix it, if needed.

## Level of motor support

The level of motor support adapts to your driving behavior. The stronger you tread the pedals, the more torque value is in the motor. This makes a "level of support" choice unnecessary. However, you can apply a fine-tuning of your Coboc Electric Drive on your phone via our Coboc App. Please note, that you may not use the Coboc App while riding your e-bike (s. *chapter Coboc App*).

## Two different driving modes

Since firmware version 3.34 you are able to choose between two different driving modes. You can either access them via our Coboc App or by simply operating the power button on your e-bike.

Drive settings for both modes can be adjusted individually and remain even if smartphone and e-bike are not connected.

A double press of the power button allows you to switch between the two driving modes. The second mode switches colors for the LEDs from blue to sea green.



Only start pedaling if seated securely on your Coboc e-bike. As soon as pressure is applied to the pedals, the motor support is set free. If you want to sit on your e-bike by putting on foot on the pedal while swinging over the saddle with the other leg, be aware that the e-bike might abruptly start moving. Risk of falling!

Stop pedaling in time. Motor support is stopped as soon as the crank stops turning. Be aware of this especially before road crossings and curves.

If you have any problems with your drive (ie. because you did not stop pedaling in time) you may always stop the motor by using the rear wheel brake.

## Handling

### Gear shift

Your Merano has a built-in SRAM GX 11-gear shift. The shift lever is positioned at the right lower side of the handlebar and is connected to the rear derailleur installed on the rear wheel.

Both shift levers (A) and (B) are activated by pulling the lever. They both come back into their starting positions after being pulled. Make sure to keep pedaling, while gear shifting in order to successfully carry it out. Do not tread into the pedals backwards during a gear switch as this may cause damage to the gear shift.

Reduce pressure on the pedals during gear shift. That way you can switch between gears fast and smooth, while also reducing wear on chain and sprocket.



Shifting gears at maximum weight may lead to chain tear. Serious accidents and injuries can be the result.

### Switching to a lower gear

In order to switch to a lower gear push lever (A) until it clicks. To switch several gears at a time keep pushing the lever until it clicks repeatedly. You can switch down a maximum of five gears at once.

### Switching to a higher gear

In order to switch to a higher gear push lever (B) until it clicks. You can only switch one gear at a time here, so in order to switch between several gears you need to press the lever down several times.

For further insight on montage and function of SRAM derailleurs visit the manufacturers website or talk to your Coboc dealer.

## Battery & Charger



### Reach

Your Coboc e-bike is equipped with a modern lithium-ion battery. This type of battery offers the best state-of-the-art energy density, which means maximum reach at minimum weight. Furthermore, lithium-ion batteries have no memory effect. This battery has a nominal voltage of 36 volts and a nominal capacity of 380 Wh.



The battery on your Coboc e-bike is installed into the e-bikes frame. This way of installation allows for a very low vehicle weight while providing ideal protection against moisture. The battery remains in the frame even for charging. Only trained personnel is allowed to remove the battery.





Do not remove the battery by yourself! Under no circumstances should the cover at the bottom of the down tube be opened. Only trained personnel should carry out maintenance or repairs on the installed drive system. Carrying out maintenance or repairs may result in danger to life due to live parts such as cables and contacts. Furthermore, the drive system is being protected against moisture by a special sealing technology, which is why warranty obligations become invalid if the down tube is being opened without the approval by Coboc.

Reach: The range of your Coboc e-bike is heavily dependent on various influencing factors and can therefore fluctuate. These include the following factors, among others: the type of surface, incline/slope of the route, wind conditions, tire characteristics, air pressure, driver weight, cadence, driving speed and temperature. The settings of the drive parameters also have an impact on the range of your Coboc e-bike. Information about the Coboc app and the setting of the individual drive parameters can be found here: [www.coboc.biz/en/the-coboc-app/](http://www.coboc.biz/en/the-coboc-app/).

With a fully charged battery and on level terrain, preset mode 1 (blue LEDs) can be used to achieve approx. 75-110 km. When driving on asphalt roads, a low tire pressure can increase the rolling resistance and thus reduce the range. Headwinds or hilly terrain will also have a negative impact on the range. Increasing the drive parameters via the Coboc app will express itself in stronger support but in return in a shorter range. A higher total weight will also reduce the range of your Coboc e-bike. If you drive over 25 km/h in return, the motor support is switched off and you ride your e-bike like a normal e-bike. This increases the remaining range accordingly.

On hot days (battery temperature of more than 60° C) the battery turns itself off for safety reasons. After that, it has to cool down before you are able to use it again. If your e-bike has not been turned on or charged for more than 30 days, it automatically sets itself into a deep sleep mode in order to save battery power. If in deep sleep mode, your Coboc e-bike can not be turned on. However, you can reactivate it first by plugging in the charger.

Battery level is displayed on the user interface. Up to five LEDs light up after turning on the Coboc e-bike. They are split up as follows:

- 5 LEDs are lit up in blue → battery level of 80 % to 100 %
- 4 LEDs are lit up in blue → battery level of 60 % to 80 %
- 3 LEDs are lit up in blue → battery level of 40 % to 60 %
- 2 LEDs are lit up in blue → battery level of 20 % to 40 %
- 1 LED is lit up in blue → battery level of 1 % to 20 %



If more than one LED is flashing red this indicates an error within the drive system. See chapter "Error codes" for more insight.

## Charging the battery

The ideal ambient temperature for battery charging is somewhere between 5°C and 25°C. At temperatures between 0°C and 40°C electronics disable charging, in order to protect the battery from getting damaged.



Please refrain from using any charger other than the one included in your delivery from Coboc or chargers authorized by Coboc. Modern lithium-ion batteries require chargers that are perfectly matched, as everything else could lead to the battery catching fire or even exploding.



Make sure to check the charger for any external damage (case, plug or cables). Under no circumstances should you use a damaged or faulty charger.

The charging socket is situated at the bottom side of the top tube. You can only insert the plug in one direction. Socket and plug are magnetic and stay attached if connected correctly.

## Battery & Charger



Before plugging in the charging plug, check whether metallic objects have adhered to the plug's magnets. This could lead to a short circuit when plugging in the charging plug.

Only charge the battery at dry and well ventilated places, as the charger should not be exposed to rain, water or moisture. Make sure that there are no flammable or hazardous substances in the room when charging your e-bike. Always keep your charger in a safe place, in order for it not to fall down or tip over.



You should only use your charger in indoor areas. Also, notice further hints directly on the charger and the provided user manual for the charger.

In order to charge your battery you need to plug the mains into a fitting outlet and connect the charger with your Coboc e-bike. Make sure that the mains and the needed voltage meet your countries standards. The provided charger is designed for a line voltage of 220V and 240V.

Charging begins as soon as the charger is connected and turns your Coboc e-bike off it was turned on beforehand. You can not turn your Coboc e-bike on while charging it.

LEDs are now lighting up one after the other in order to indicate the charging process. If your Coboc e-bike is fully charged it turns itself off automatically. As soon as that is the case the charger indicates that the e-bike is fully charged.

A complete charge from 1% to 100% takes two and a half hours with the Coboc charger ST 4A. However, the battery is already charged to 90% after two hours, which means that the charging time for the last 10% takes a bit longer (half an hour).

You can keep your Coboc e-bike connected to the charger even after charging is completed. The battery does not overcharge. However, we recommend you to unplug the charger from your Coboc e-bike and the mains out of safety reasons.

Make sure that your homeowner's and fire insurances cover lithium-ion battery charge and pedelecs in general. Also regularly check newspapers for any changes in the legal situation.

### Storage



If your e-bike is not going to be used for a long time, it should be fully charged beforehand. If the e-bike has been fully charged, it must be connected to a charger after eight months at the latest.

The e-bike should never be stored with an incompletely charged battery. If the battery is deeply discharged because it has not been charged for too long or the e-bike has been stored with insufficient battery, the damage is not covered by the warranty or the manufacturer's guarantee.

A permanently high state of charge causes the battery to age faster, while deep discharge can permanently damage or even destroy the battery. We therefore recommend charging the e-bike completely before storing it, removing the charger and storing it in cool temperatures of around 15°C.

Lithium-ion batteries discharge themselves over time. Therefore, the battery level falls within the optimal range for storage within the first few days, until the E-Bike automatically switches to energy-saving mode after 30 days. If the battery is fully charged, it must be fully charged again after 8 months at the latest. If it is not fully charged, earlier accordingly.

Your e-bike should not be stored permanently at temperatures warmer than 20°C. To prevent deep discharge, your Coboc e-bike automatically switches to an energy-saving mode after it has not been used for a long time. The e-bike cannot be switched on in this state. It can only be reactivated by connecting the charger.



Never store the battery with the charger plugged in all the time. If the battery is permanently charged to 100%, aging will accelerate and the battery will quickly lose capacity.

### Transport

Lithium-ion batteries with stored energy higher than 100 Wh are subject to international legislation on dangerous goods. The battery installed in your Coboc e-bike has a stored energy of 380 Wh and is therefore classified as a class 9 dangerous good. Therefore, transport by road, sea or air must be specifically authorized beforehand. It is mandatory to seek advice of an expert on dangerous goods.

Please bear in mind, that many transport companies have certain guidelines for the transport of devices or vehicles equipped with lithium-ion batteries.

### Disposal

Do not dispose of your Coboc e-bike, battery or charger in the household waste.



Within the EU there is an obligation for the consumer to return no longer usable batteries and a redemption obligation for dealers, manufacturers and importers. In accordance with EC directive 2002/66/EC, faulty or used batteries have to be collected separately and disposed of in an environmentally-friendly manner.

Please take used batteries with you to a collection point for recycling, your Coboc dealer or directly to us. Removing the battery from your Coboc e-bike should only be done by trained personnel.



Maintenance and repairs on the drive system may only be carried out by trained personnel. Under no circumstances should you open the cover at the bottom of the down tube. Carrying out maintenance or repairs may result in danger to life due to live parts such as cables and contacts opened. Furthermore, the drive system is being protected against moisture by a special sealing technology, which is why warranty obligations become invalid if the down tube is being opened without the approval by Coboc.



Turn off your Coboc e-bike ("Bike off", possibly turn off the lights, too). Always make sure, that your Coboc e-bike is turned off before performing any maintenance or repair work. The motor could start abruptly, if repairs are done on a turned on Coboc e-bike or contacts at the motor plug could be under power. Both could lead to serious injury.

Do not remove the bottom bracket! The bottom bracket on your Coboc e-bike is equipped with a sensor that is internally wired with the drive system. Improper disassembly can cause damage to cables or sensor.

### Care instructions

Regularly clean your Coboc e-bike from dirt. Not only does it preserve good looks but also can it help keep functions alive. Never use hard water jets like high-pressure cleaners or garden hose to clean your e-bike. Only wash it by hands and never put it upside down. Electronics and ball bearings are sealed tightly, which allows for regular operation even on rainy days. However, high-pressure cleaning might cause fluids or dirt to enter through the seals and could damage bearings or electronics.

Always keep your chain greased. This allows for a low-noise operation and minimizes wear. Make sure to use appropriate chain oil.

### Safety instructions for carbon components

We added a high-quality and very light carbon fork to reduce weight and to refine looks of your Merano.



Components made out of composite material might be damaged at places not visible at first sight. Damaged parts may lead to immediate failure and cause falls. Therefore, having the according parts checked for functionality or non-apparent damage by the manufacturer is mandatory after crashes or hard falls. Replacing and destroying the damaged parts is also an option.

## Maintenance & care

Furthermore, carbon parts need regular visual inspections. Check if single layers like paint, finish or fiber are detaching. Look for changes on the surface of the according parts, like chipping, holes or deep scratches. Make sure to check if the components are getting softer or less stiff and solid. If this is the case with one or more components, they should be replaced immediately.

### Special features of carbon

Carbon fiber reinforced plastic is a lightweight material that has very specific properties. Understanding these properties is mandatory in order for a hazard-free use and a long operation without defect.

Carbon can be used to build extremely lightweight high-strength and robust bicycle components, if processed correctly.

However, a disadvantage of this material is, that possible damages might not be visible from the outside right away, as carbon does not deform at overload like aluminum or steel might do. The material might keep its shape even though the inner structure is already damaged. A damaged structure influences stability of the component and therefore might lead to serious falls and injuries. If you have concerns regarding the condition of one of the carbon components, make sure to visit your Coboc dealer.



If you hear pops, this might indicate defect on a carbon component. Check the screw fittings on your carbon components for correct torque regularly. Should there still be audible pops, make sure to contact your Coboc dealer. Under no circumstances should you continue using the damaged component.



Carbon components should never be heated up to high temperatures, as would be the case for powder coating or stove-enamel finishes. The appearing heat might damage components. Also avoid storing your e-bike in a vehicle that is exposed to strong sunlight.

### Care instructions for carbon components

Clean your carbon components with a soft cloth and clear water. If that should not be enough you might add some detergent or use a petroleum-based cleaner.



Never use degreasers containing acetone, methyl chloride or trichloroethylene. Chemical or not neutral cleaners that contain solvents could attack the surface and therefore weaken the component.



Lightweight carbon parts may be exposed to increased wear. Please follow the instructions on service intervals and have your carbon components checked for defect or wear regularly by your Coboc dealer.



Carbon components should never be greased. Doing so leads to grease entering the surface, which makes tight clamping within the permitted torque value impossible. We recommend using carbon paste instead, as increased friction makes less torque value necessary to clamp safely.



Check your carbon components for optical damage such as notches, dents, tears, discoloration, etc. Should you notice any of these defects, make sure to contact your Coboc dealer and refrain from using your Coboc e-bike until doing so.

## Inspection

Modern technology is very high in performance, but still needs a certain amount of care. Because of that, please make sure to maintain your Coboc e-bike on a regular basis. To guarantee a reliable functioning and in order to ensure your warranty claims make sure that:

Your Coboc dealer or service partner checks your e-bike at least once a year, if not more regularly.

The first inspection of your Coboc e-bike is of particular importance for an easy and reliable functioning. Cables and spokes may stretch, while screws may loosen themselves. Therefore, please make sure to have your e-bike checked by your Coboc dealer or service partner after the first month of operation or the first 100 driven kilometers.

The following table shows time spans that may serve as indications for cyclists that ride between 1,500 and 2,500 km a year. Riding on poor roads, in bad weather conditions or simply riding more than 2,500 kilometers in a year, makes the service intervals shorten accordingly. If you do not have the technical know-how to maintain your e-bike, please make sure to have it checked by your Coboc dealer or service partner.

## Recommended maintenance intervals

Component	Activity	before every ride	monthly	annually
wheels	check function	x		
	check rims		x	
	check brake pads		x	
	check brake rotors		x	
	check spoke tension		x	
	check concentricity		x	
shift cables and brake hose	visual inspection		x	
tires	check air pressure	x		
	check valve seat		x	
chain	check lubrication	x		
	check tension		x	
	check wear		x	
hubs	check bearing clearance			x
pedals	check bearing clearance		x	
crank	check screw connection		x	
handlebar and stem	check screw connection		x	
	visual inspection			x
headset	check bearing clearance		x	
screwing wheels	check tighten	x		
other screw connections	check tighten		x	
motor cable	visual inspection		x	
fender	check tighten		x	
rack	check tighten		x	
kickstand	check tighten		x	

## Maintainance & care

- Make sure that your brakes are working properly before every ride. Both brakes should work flawlessly and delay sufficiently. You should not be able to pull the brake levers all the way to the handlebar. Check the wear of the brake pads and the brake disc approximately every month (s. *Adjusting the brakes*).
- Check the condition of your brake lines regularly. Under no circumstances should brake lines be broken or brake fluid leak out.
- Make sure to check pressure on both tires before every journey. Recommended tire pressure is dependent of the type of tire you are using and is usually indicated on the sidewall of the tire. If you want to utilize other tires, please make sure that rims and tires are compatible and that the maximum permitted air pressure for rims and tires are not exceeded.
- Make sure that the valve is looking straight out of the rim. It should be more or less aligned with the spokes. It could rip off, if not positioned correctly.
- Grease the chain with appropriate chain lube (s. *Lubrication*) and check the chain tension at least once a month (s. *Adjusting the chain tension*). Check for wear with the help of a chain gauge or ask your Coboc dealer to judge the wear of your chain.
- Check for lateral bearing clearance on the wheel hubs roughly once a year. Please replace the wheel bearing if the rim is moving although the tire is screwed tightly to the frame. The same applies, if wheels are not running smoothly without brakes sliding. Please contact your Coboc dealer in this case.
- Check for bearing clearance on the pedals once a month by trying to move them across the pedal axles. You should replace the bearings, if you can move the pedals from side to side. Please contact your Coboc dealer in this case.
- Roughly once a month should the crank lever screwing on the spindle be checked. Use a torque wrench to screw the crank lever with the according tightening torque (s. *table Tightening torque*).
- Check the spoke tension on your tires roughly once a month. To do this, simply press two adjacent spokes together with one hand. This helps you find out if one of your spokes is more loose than others. Should this be the case, make sure to visit your Coboc dealer in order to center the according wheel.
- Also make sure to check the concentricity on your wheels once a month. Make sure to have them centered by your Coboc dealer if they are not running smoothly anymore.
- Check the handlebar screwing on your stem once a month. Also, check the stem screwing on the steer tube. Use a torque wrench for this (s. *table Tightening torque*).
- Take time to inspect your handlebar for damage like dents, deformation, scratches or holes. In case of doubt or after three years we advise you to have your handlebar replaced by your Coboc dealer.
- Check the clearance on your headset once a month (s. *Adjusting the headset*).
- Check for proper screwing of your wheels regularly. Use a torque wrench to make sure the screws are still tight at least once a month (s. *table Tightening torque*).
- Check the motor cable (running along the right chain stay) for any exposed contacts or other damage. A damaged motor cable might lead to electric shocks and cause serious injuries. In case of defect, please contact your Coboc dealer.
- You may only use the already built-in front and rear light developed by Coboc. If they show signs of damage or are not working properly, please contact your Coboc dealer.
- Only replace the components on your Coboc e-bike with original parts or those that have been authorized by Coboc. All warranty claims shall lapse if not doing so.



Your e-bike, just like all mechanical components, is exposed to high usage and wear. Different materials and components may react differently to wear and abrasion due to usage. Using a component longer than the intended period of use may lead to sudden failure and therefore injure the driver. Any kind of fissure, tear or color change on those high usage parts indicates that the period of use as expired. The according component should immediately be replaced.

### Wear parts

Especially check on the following wear parts regularly:

- Tires and tubes
- Chain, sprocket and chain ring
- Brake pads
- Brake discs
- Ball bearings
- Saddle and grips

Inspect the right fit of every screw and nut and, if necessary, tighten them again. Always bear in mind the correct tightening torque (s. *table Tightening torque*).

### Lubrication

To ensure efficient functioning and a long lifetime, certain parts require regular cleaning and lubrication. Oils, fats and other lubricants should be meticulously kept away from rims, brakes, brake pads and brake discs.



Carbon components may under no circumstances be assembled with grease or other lubricants, as this could reduce friction between them and therefore lead to material damage due to higher tightening torque. Please only use special assembly paste when assembling carbon components. It increases the friction between the components and therefore prevents material damage.

What to lubricate	When to lubricate	What to use as lubricant
chain	after cleaning, after driving in the rain, after about 300km	chainlube
shift cable	with poor function or 1x annually	silicon-free fat
Aluminum seat post in Aluminum frame	during installation	assembly grease
Joints of the rear derailleur	with poor function or 1x annually	spray oil

## Maintenance & care

### Repairing punctures

Changing the tires after puncture does not differ much from tire changes for ordinary bikes. Only the rear wheel needs special attention when assembling or removing it. This manual presupposes a certain skill set for repairs or tire changes.

If this is not the case for you, please contact your local Coboc dealer.



Turn your Coboc e-bike off ("bike off", lights off)! Prior to any maintenance or repair work, make sure that your Coboc e-bike is turned off. The motor might start unexpectedly during the repair or motor plug contacts might be under power. This could cause serious injuries.

### Removing the rear wheel


- Shift to the smallest sprocket the highest gear. Your rear derailleur has a locking system that facilitates the removal of your rear wheel. Simply push the lever forward and press the locking button (1). The lever should now lock in place and there should be no tension on the chain anymore.
- Disconnect the motor plug (2) and release the cable holder in direction of the motor (3). On your Merano, the motor connector is on the left side under the chain stay.
- Remove the plastic caps (4) on the axle nuts.
- Loosen the axle nut with an open-end spanner (spanner gap of 18 mm) and remove the drive side axle nut and washer. Make sure, that the rear wheel does not fall out of place uncontrolled, as soon as you have loosened the screws.
- You can now completely remove the rear wheel by pulling it out downwards.
- Tire change can now be carried out just like with an ordinary bike.






## Installation of the rear wheel

Installing the rear wheel happens in the exact reverse order of removal. The following points have to be taken into consideration:

 Torque support (torque bracket washer) has to be reinstalled alongside the rear wheel. The torque support washer needs to be positioned towards the open end of the dropouts while lying inside of the dropout. Forgetting or simply not reinstalling the torque support might cause the motor to twist the rear axle which might result in serious damage or hard falls.

Tighten the wheel nuts properly at all times (s. *table Tightening torque*). Loose wheels are a significant risk for safety and security.

 Do not forget to unlock the locking system (1) on your rear derailleur by slightly pushing the lever forward and then releasing it backwards again. Else there is not enough tension on the chain which might result in falls.

## Adjusting the brakes

A significant prerequisite for a safe driving is a proper adjustment for the brakes. Never drive your Coboc e-bike, if a brake is not working or is not properly adjusted. If you are not equipped with the skills necessary to adjust your brakes yourself, please have them adjusted by your service partner or local Coboc dealer.

## Testing the brakes

Push your Coboc e-bike forward while pulling the rear wheel brake firmly. The rear wheel should be blocked by the brake. Doing this with the front wheel brake should have your rear wheel lifting off the ground. Steering should not have any clearance or rattle while performing this test. Both brake levers should not be pulled through more than half way.

## Aligning your brake caliper

You can minimize or fix a grinding of your brake disc by realigning your


brake caliper. Should your brake disc be deformed due to external impact however, you need to have your brake disc exchanged. Please contact your local Coboc dealer for that.

You can align your brake caliper by loosening both screws (1). The slots within the caliper enable for an alignment with the brake disc on the frame's post mount or on the post mount adapter on the fork. Make sure that the wheel is installed in the correct position to do so.

Now you can align the caliper in a way that has it running centered between both brake pads while not having any contact with them. Make sure that the caliper does not move when screwing it back in.

Alternatively, you can also try to align your brake caliper over the disc by pulling the brake lever. The brake pistons make contact with the disc via the brake pads and align the loosely screwed-on brake caliper in the center above the brake disc. With the brake pulled, you should now tighten the screws (1) again and make sure that the caliper does not move again.

Bear in mind the according torque when tightening the screws (1) (s. *table Tightening torque*).

 An incorrectly tightened brake caliper can lead to a total failure of the brake system. A fall with bad consequences could be the result. If you are unsure about the correct function or assembly of your brake system, do not ride your Coboc e-bike anymore and have it checked by a Coboc dealer.



## Maintenance & care

### Checking the brake pads

Brake pads are wear parts on your Coboc e-bike due to the frequency in usage. This is why, you need to regularly check them for wear. Please refrain from using anything but the original parts when exchanging the friction components. Otherwise, braking function might be affected or damage could occur. Only use fitting brake pads for your disc brake system, in order to guarantee the desired braking effect.



Never get oil or grease on the brake pads, brake discs, or brake flanks, as this leads to a decrease of the braking effect. Please make sure to change the friction components, if this is the case.

Wear on disc brakes is usually only apparent when dismantling the brake caliper. This way you can judge how much of the brake pad is left on the support plate. The brake pads need to be exchanged if their thickness is less than 0,5mm. Because this is a safety-relevant component the exchange should take place in a specialist workshop.



Never touch a spinning brake disc. There is a high risk of injury by getting your fingers caught. The brake disc and the caliper can get very hot due to high frequency in usage. Only touch it if it has cooled down. For further information please contact your local Coboc dealer or the brake manufacturers website.

### Checking the rims

Check the condition of your rims regularly - especially at the beginning of a season. Check both the inside (under the rim tape) and the outside of the rim for possible material fatigue and wear, e.g. cracks, deformations, flaking of materials etc.

Should your rim be deformed due to hard impacts, make sure to exchange it immediately. Not doing so might lead to serious damage and even danger because of high spoke tension and spoke tears.

### Derailleur



Using wrongly adjusted or strongly used derailleur components might result in hard falls and serious injury.

Please make sure to have your derailleur system checked in a specialist workshop for possible adjustment or exchange. Please contact your local Coboc dealer, if any of the following problems occur:

- The chain skips single sprockets or falls of the chain ring
- Single chain links, chain rings or sprockets are heavily used or defect
- Switching gears does not work properly
- The rear derailleur or other derailleur components are obviously broken or loose
- Unusual noise appears while riding or shifting gears

Change in the settings for tension or the limit screws for your derailleur system should only take place in very small steps and with high caution. Wrong adjustment might lead to the chain falling of the sprocket and therefore cause falls and injury. In case of doubt please contact your local Coboc dealer and have him adjust it for you.

### Adjusting the derailleur systemically

The correct tension for shift cables: Shift to the highest gear, the lowest sprocket. Now push the larger shift lever through to the first detent, while moving the crank in order for the chain to jump from lowest to second lowest sprocket. If the chain does not move at all, or does not jump up all the way, you need to increase tension for the shift cable.

To do so, slightly loosen the adjusting screw (1) counter clockwise. Make sure that the adjusting screw never fully exits the shift lever.

Should the chain jump to the third lowest sprocket right away, tension for the shift cable has to be reduced. In order to do so, slightly tighten the adjusting screw (1) clockwise.

For a clean and quiet chain run, the upper sprocket should run smoothly through the chain ring in an imaginary vertical line along the front derailleur with any gears (s. red line in right Fig.), as the chain might switch to another gear unwillingly during your ride.

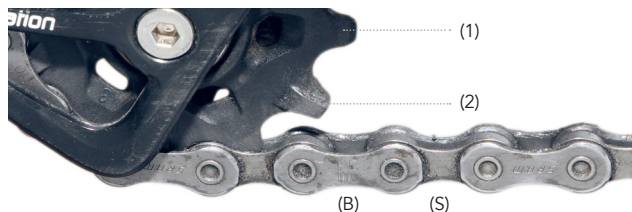
For a smooth gear function, make sure that every component that transfers power is greased properly. If chain run produces noise in any of the gears, defect might be the reason. Please contact your local Coboc dealer in any case of doubt.



## Maintenance & care

### SRAM X-SYNC drive technology

The mechanical drive on your Merano e-bike is based on SRAM X-SYNC™ technology. This technology allows for a perfect guidance through the chain ring and the rear derailleur roll.



Chain ring and gearshift roll consist of teeth alternating in width. The wide tooth (1) fits exactly into the wide part (B) of the chain link. The slim tooth (2) fits exactly into the slim part (S) of the chain link. This allows for a perfect chain run and the chain can not fall off.

Should for any reason like repair works the slim part of the chain be lying on the wide part of the chain ring or a gearshift roll, this means that the chain is not put in its correct place and can therefore not engage with the teeth.



Should the chain not be in its proper place on the chain ring (1), it will slip through if pushing into the pedals.



Should the chain not be in its proper place on the gearshift rolls, gear shifting will not work properly and a rattling noise will be perceivable. Hard falls and serious injury might be the result.

### Adjusting the headset

Check the headset for any clearance. To do so, pull the front wheel brake and push your e-bike over your handlebar back and forth. Steering should not have any clearance and nevertheless be able to turn slightly. Should the steering have bearing clearance, loosen both screws (2). Tighten screw (3) carefully until there is no clearance left in the steering. Now tighten both screws (2) again.



Do not tighten screw (3) too much, as this might cause damage to the headset. Should the handlebar only be turned hardly, the screw (3) might be pulled too tightly. Loosen both screws (2) loosen screw (3) a little and then tighten both screws (2) firmly again.



Coboc is constantly dealing with the zeitgeist of real e-bike culture. This results in intelligent products that realize technical progress.

With our Coboc App, the range of functions for the Coboc rider can be further expanded.

You can download the Coboc App for free via the App Store or Google Play.

Since we are constantly improving and expanding the app, you can find the exact function and instructions on our website under

[www.coboc.biz/en/the-coboc-app/](http://www.coboc.biz/en/the-coboc-app/)



Unfortunately, we cannot guarantee that the app will work on every smartphone. Please note that continuing to use GPS in the background can drastically reduce battery life.

In general, the use of mobile phones on bicycles is prohibited.



The mobile phone may be attached to the handlebars when being used as a navigation device. However, you must stop to (re-)enter your address (and of course to make a phone call).

Before using the Coboc App on public roads, be sure to check the current regulations in your country.

The software of your Coboc e-bike contains an internal error detection. If there are any errors in the electronics, the drive switches off automatically and the error is indicated by flashing LEDs on the top tube. In total there are four error codes with the following meaning:

1 LED flashes blue	Battery level low. Charge the battery.
2 LEDs flash red	Other error. Turn your Coboc e-bike off and on again. If the error occurs repeatedly, contact your Coboc dealer.
3 LEDs flash red	Error in the bottom bracket sensor. Contact your Coboc dealer.
4 LEDs flash red	Error in the connection cable to the motor. Check the plug connection to the motor. First switch off your Coboc e-bike so that the motor cable is no longer live. Now disconnect the plug connection and check it for defects or moisture. A defective connector must be repaired by your Coboc dealer or by Coboc.

If moisture has penetrated the plug connection, dry both parts of the connection and put them together again. Switch your Coboc e-bike back on. If the error occurs repeatedly, contact your Coboc dealer.

Check the motor cable for damage. If the motor cable is damaged, do not switch your Coboc e-bike back on again. Open contacts may cause electric shock. Contact your Coboc dealer immediately.

## Tightening torques

Category	Screw	Tool	Torque
front wheel	axle screw	Inbus 6 mm	8Nm
rear wheel	axle screw	spanner 18mm	25Nm
handlebar / stem	stem (steerer clamping)	Inbus 5 mm	5.2Nm
handlebar / stem	stem (handlebar clamping)	Inbus 4 mm	5.2Nm
handlebar / stem	cover steerer tube	Inbus 5 mm	0,5-1 Nm
handlebar / stem	brake lever (clamping)	Inbus 5 mm	6-8Nm
braking system	caliper	Inbus 5 mm	5-7 Nm
saddle	saddle clamping	Inbus 5 mm	9Nm
saddle	seatpost clamping	Inbus 4 mm	5Nm
mechanical drive	chain ring	Inbus 5 mm	12Nm
mechanical drive	crank	Inbus 8 mm	40Nm
mechanical drive	derailleur	Inbus 5 mm	10Nm
attachment parts	pedals	Inbus 6 mm	35Nm
attachment parts	kickstand	Inbus 5 mm	6Nm
front fender	fork dropout attachment	Inbus 3 mm	2-2.5Nm
front fender	fork crown attachment	Inbus 4 mm / spanner 10 mm	4Nm
rear fender	attachment to frame and rack	Inbus 3 mm	2-2.5Nm
rack	attachment seat stay	Inbus 4 mm	4Nm
rack	attachment dropout	Inbus 4 mm	4Nm

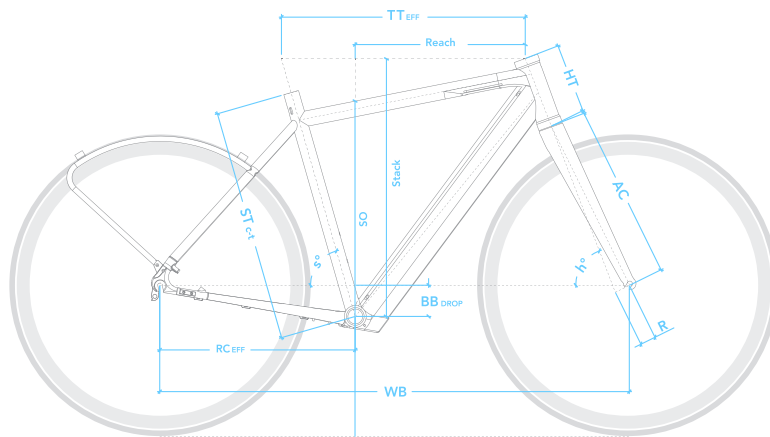
## Technical Data

31

Frame	Aluminium 6000, internal cable routing
Color	Free Blue, metallic
Sizes	S, M, L, XL
Rack	Coboc integrated sidebag system, removable
Fender	Curana C-Lite, 55 mm
Fork	Carbon, straight design
Headset	Acros 3 times sealed
Battery	Lithium-Ion, 36V, 380 Wh
Charging Time	2,5 hours
Average Range	75-110 km
Coboc Electric Drive	250 W / 500 W peak
Front Light	Supernova E-Bike Mini 2

Rear Light	Coboc Design, LED frame integrated
Gear Shifting	SRAM GX, 1x11
Cassette	Sunrace CSMX8 11-speed, 11-42
Crank / Chainring	Andel / 40T, narrow-wide, integrated chainguard
Brakes	TRP C2.3, hydraulic disc brake, 160mm
Saddle	Selle Royal Essenza Athletic
Seatpost	Aluminium, 27.2 mm x 350 mm
Rims	Alexrims Volar 23 (650B)
Tires	WTB Byway 650B (47x584)
Pedals	Coboc URBs, CNC Aluminium
Weight	16 kg

## Frame Geometry



SIZE	STc-t	TTEFF	HT	h°	s°	R	AC	RCEFF	WB	BBdrop	Reach	Stack	SO
S	498	529	145	69,5	75	45	407	444	1060	72	376	569	732
M	530	557	165	70	74	45	407	444	1075	70	389	588	760
L	560	596	185	71	73,5	45	407	444	1099	70	416	611	788
XL	590	635	205	71,5	73	45	407	444	1127	70	442	632	814

**STc-t** seat tube length center to top

**SO** standover height

**TTEFF** effective top tube length

**HT** head tube length

**BBdrop** bottom bracket drop

**RCEFF** chain stay length

**WB** wheelbase

**h°** head tube angle

**s°** seat tube angle

**R** rake

**AC** fork length

**Stack** vertical length BB to top of HT

**Reach** horizontal length BB to top of HT

**Sizes** S = 1,58 - 1,70 m / M = 1,68 - 1,80 m / L = 1,78 - 1,90 m / XL = 1,88 - 2,00 m



## General warranty conditions of Coboc GmbH & Co. KG for consumers / end customers (hereinafter "customer")

For years of durability and continuous riding pleasure, please follow the instructions in the user manual. Adherence to these instructions is a prerequisite for receiving the warranty and guarantee conditions listed below. In addition, online registration at [www.coboc.biz/garantie](http://www.coboc.biz/garantie) within 14 days of purchasing the e-bike is a prerequisite for receiving the manufacturer's warranty listed below.

Claims for defects against the contractual partner of Coboc GmbH & Co. KG remain unaffected.

Furthermore, Coboc GmbH & Co. KG assures the customer within the scope of the manufacturer's warranty that the following components are fully functional within the specified periods from the date of purchase:

Coboc - frame	5 years guarantee
Motor and motor control	2 years guarantee
Battery pack (defective with capacity loss > 40 %)	2 years guarantee, max. 1.000 charging cycles
Battery charger	1 year guarantee

The Coboc GmbH & Co. KG reserves the right, within the framework of a warranty or guarantee service, to supply or install other, but equivalent goods when components are replaced. For used goods, Coboc GmbH & Co. KG reserves the right to supply or install parts corresponding to the age of the replaced part.

The term of the warranty claims begins with the date of purchase or with the handover to the customer. The performance of warranty services by Coboc GmbH & Co. KG means neither an extension nor a restart of the warranty period. The warranty is only valid for the first owner in conjunction with the original proof of purchase.

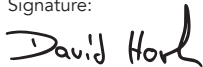
To claim warranty rights, the affected product must be returned to a qualified Coboc trading partner or to Coboc (Heidelberg, Germany). The customer bears the costs of transport.

In case of structural changes to the components of the drive system installed in the frame as well as to the motor and in case of interventions in the software, all warranty obligations on the part of Coboc GmbH & Co. KG shall expire. This does not apply to the exchange of parts under warranty or software updates with the original Coboc firmware at qualified Coboc trading partners.

This warranty does not apply to exhibits, test e-bikes, products that have already been used or similarly claimed by the customer before purchase.

We do not accept any guarantee for defects resulting from incorrect storage. In particular, we would like to point out that the charge level of the lithium-ion batteries in our e-bikes must be checked regularly and the batteries must be recharged if necessary. Details can be found in the operating instructions.

## EG - Declaration of conformity

The manufacturer	Coboc GmbH & Co. KG Kurfürstenanlage 58 69115 Heidelberg Germany Tel: +49 (0) 6221 435 28 10
Hereby confirmed for the product:	Merano
Construction year:	2021
Conformity with all relevant provisions of the guidelines:	- (2006/42/EG) Machines - (2004/108/EG) Electromagnetic compatibility
The following harmonized standards have been applied:	Cycles – Electrically power assisted cycles – EPAC Bicycles; German version EN 15194:2017
Technical Documentation:	Coboc GmbH & Co. KG Kurfürstenanlage 58 69115 Heidelberg Germany Tel: +49 ( 0 ) 6221 435 28 10
David Horsch (Executive Director)	Signature: 

**Coboc GmbH & Co. KG**

Kurfürstenanlage 58  
69115 Heidelberg  
Germany  
Tel: +49 (0) 6221 435 28 10

[www.coboc.biz](http://www.coboc.biz)

Hej.

**Tillykke med din nye Coboc ebike.**

**TEN Merano**

## Velkommen til Coboc

Vores brand står for bæredygtigt design og maksimal funktionalitet. Vi har ikke noget imod at være utraditionelle, så længe vores kunder er glade og tilfredse med vores ebikes.

Det er vigtigt, at du læser hele brugsanvisningen, inden du tager din nye Coboc-cykel i brug. Brugsanvisningen indeholder vigtig information relevant for din sikkerhed. Manglende overholdelse af sikkerhedsforanstaltningerne kan føre til alvorlige ulykker samt person- og/eller produktskader.

Sørg for at hele brugsanvisningen er gennemlæst og forstået af alle, der bruger, reparerer, servicerer eller bortskaffer din Coboc-cykel.

Hvis du har spørgsmål angående brugen efter gennemlæsningen af brugsanvisningen, bedes du kontakte din lokale Coboc-forhandler. Denne brugsanvisning er en vigtig del af din Coboc-cykel, og udelukkende gældende for din cykel.

Sørg for at du er bekendt med gældende love, inden du bruger din Coboc-cykel på offentlige veje. Indholdet i denne manual kan ændres uden forudgående information.

Find flere oplysninger på: [www.coboc.biz](http://www.coboc.biz)

Vi ønsker dig en fantastisk elektrisk oplevelse.

Coboc-teamet.



Overblik over TEN Merano .....	Side 40	Vedligeholdelse .....	Side 53
Sikkerhedsanvisninger .....	Side 41	<ul style="list-style-type: none"> <li>• Rengøring og vedligeholdelse</li> <li>• Sikkerhedsanvisninger, kulstofkomponenter</li> <li>• Specialfeatures for kulstofkomponenter</li> <li>• Vedligeholdelse af kulstofkomponenter</li> <li>• Service</li> <li>• Sliddele</li> <li>• Smøring</li> <li>• Reparation af punktering</li> <li>• Montering/afmontering af baghjulet</li> <li>• Justering af bremses</li> <li>• Test af bremses</li> <li>• Justering af bremsekaliber</li> <li>• Kontrol af bremsekaliber</li> <li>• Test af bremseklodser</li> <li>• Kontrol af fælge</li> <li>• Gearsystem</li> <li>• Justering af gearskifte</li> <li>• SRAM X-SYNC drivsystem</li> <li>• Justering af Headset</li> </ul>	
Quick start guide .....	Side 42		
Lovgivning .....	Side 44		
Anvendelsesområde .....	Side 45		
<ul style="list-style-type: none"> <li>• Maksimal belastning på din Coboc-cykel</li> <li>• Taskeholdere</li> <li>• Cykelanhænger</li> <li>• Barnestol</li> </ul>			
Inden hver cykeltur .....	Side 46		
Ibrugtagning .....	Side 47		
<ul style="list-style-type: none"> <li>• Brug af Coboc E-Drive-systemet</li> <li>• Lygter</li> <li>• Sådan bruges bremseser</li> <li>• Assistanceniveau</li> <li>• To forskellige køremodes</li> <li>• Gearskifte</li> </ul>			
Batteri og oplader .....	Side 50		
<ul style="list-style-type: none"> <li>• Rækkevidde</li> <li>• Opladning af batteriet</li> <li>• Opbevaring</li> <li>• Transport</li> <li>• Bortskaffelse</li> </ul>			
		Coboc-app .....	Side 63
		Fejlkoder .....	Side 63
		Moment (torque Nm) .....	Side 64
		Tekniske specifikationer .....	Side 65
		Rammegeometri .....	Side 66
		Garanti .....	Side 67
		Service .....	Side 67
		Overensstemmelseserklæring .....	Side 68

## Overblik over TEN Merano





Det er vigtigt, at du læser hele brugsanvisningen, inden du tager din nye Coboc-cykel i brug. Brugsanvisningen indeholder vigtig information relevant for din sikkerhed.

Manglende overholdelse af sikkerhedsforanstaltningerne kan føre til alvorlige ulykker samt person- og/eller produktskader. Hvis du låner din cykel ud, skal du sikre dig at dem, der låner den, også har læst og forstået brugsanvisningen, inden de tager cyklen i brug. Brugsanvisningen skal gemmes på et sikkert sted, og altid være lettilgængelig.

Kør forsvarligt - cyklister er kontinuerligt udsatte for øgede risici, især på offentlige veje. Vi anbefaler, at du altid bruger cykelhjelme. Cykelhelmen skal justeres korrekt, så den passer perfekt til dit hoved. Følg cykelhelmeproducentens instruktioner.

Du bør iføre dig lyst tøj med reflekser, så du er synlig i trafikken. Sørg for at dine bukser ikke er for løse, da de kan blive fangede i cyklen. Benyt cykelclips om nødvendigt. Fare for person- og/eller produktskade hvis dit tøj fanges i cyklen.

Tag højde for den øgede ydelse. På grund af den elektriske motor i din Coboc-cykel er ydelsen betydeligt højere end på traditionelle cykler. Det betyder bl.a. at højere tophastigheder kan nås, men at der samtidigt overføres et større drejningsmoment til baghjulet. Dette kan føre til, at hjulene skrider ud, specielt på vådt underlag.

Væn dig til din Coboc-cykel. Coboc-cyklens specielle egenskaber kræver, at du gør dig bekendt med dem på sikre og åbne områder med god plads. Brug først din Coboc-cykel på offentlige veje, når du har fuld kontrol over den.

Symbolforklaring: for en forbedret læsbarhed indeholder brugsanvisningen nedenstående symboler:



INFO: Dette symbol fremhæver vigtige informationer samt gode råd.



FORSIGTIG: Dette symbol advarer dig mod forkert brug, der kan føre til miljøforurening, skade på din Coboc-cykel eller anden materiel skade.



ADVARSEL: Dette symbol angiver mulig sundhedsfare og/eller livsfare, grundet forkert betjening af cyklen.

## Quick start guide

### Hvad er der i kassen?

- TEN Merano
- Oplader
- Coboc URB-Pedaler
- Unbrakonøgle
- Brugsanvisning
- Reflekssæt inkl. ringeklokke

### SAMLING

Coboc-cyklen er næsten komplet samlet på leveringstidspunktet. Dog er styret og pedalerne løsnede. Det er derfor meget vigtigt, at du læser manualen inden første ibrugtagning. Vær særlig opmærksom på sikkerhedsanvisningerne og afsnittet:

#### Kontrol af dæktrykket

Kontroller dæktrykket inden starten af hver cykeltur. Det er angivet på siden af hjulet, og kan variere afhængig af hjulmodel.



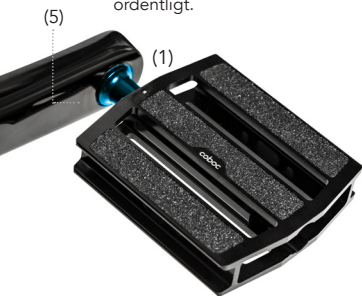
**ADVARSEL:** Dæktrykket må aldrig falde til under 35 psi. Fare for produktskade.

#### Montering af pedaler

Smør begge pedalgevind (5), inden pedalerne skrues på.



**ADVARSEL:** Begge pedaler har forskellige gevind og skal skrues på, på den tilsigtede side. Højre pedal har gevind på højre side, mens venstre pedal har gevind på venstre side. Fare for produktskade hvis pedalerne monteres på forkert side. Sørg for at begge pedaler strammes ordentligt.



#### Justering af cykelstyr og frempind

Løsn begge skruer (1) med den medfølgende unbrakonøgle. Juster styret, så frempinden og forhjulet er på linje med hinanden. Spænd skruerne (1) igen. Løsn derefter de fire skruer på frempinden (3). Drej styret i den ønskede kørestilling og spænd derefter skruerne. Sørg for at de fire skruer (3) strammes lige meget.

#### Justering af håndbrems

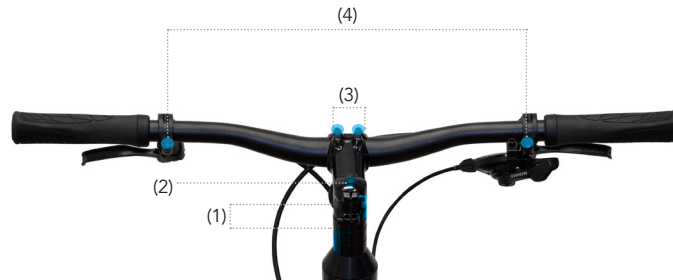
Løsn justeringsskruerne (4), og juster håndbremsen efter din foretrukne grebsposition. Det skal være behageligt og sikkert på samme tid. Spænd derefter justeringsskruerne (4) igen.

#### Kontrol/justering af headset-styrfittingslejer

Kontroller sløret på styrfittingslejerne. For at gøre det, skal du samtidigt trække begge håndbremsen i helt i bund, mens du skubber cyklen frem og tilbage et par gange. Styret skal være i stand til at kunne bevæge sig en anelse fra venstre til højre, men lejesløret skal forblive på et minimum. Hvis der er et for stort lejeslø, løsnes de to skruer (1) igen. Spænd langsomt skruen (2), indtil lejet ikke længere har for stort lejeslø. Spænd derefter skruerne (1) igen.



**FORSIGTIG:** Overspænd ikke skruen (2), da dette kan beskadige styrfittingslejerne. Hvis det kun er styret, der drejer, kan det betyde, at skruen (2) er strammet for meget. Hvis dette er årsagen, løsnes skruerne (1), hvorefter skruen (2) løsnes en anelse. Spænd derefter skruerne (1) igen.



## COBOC E-DRIVE-SYSTEMET



### Din cykel tændes/slukkes

Tryk kort på power-knappen (7) på cyklens brugerinterface, som er placeret på undersiden af cyklens top tube for at aktivere Coboc e-drive-systemet. På LED-displayet (6) lyser min. en LED for at indikere batteriniveauet på din Coboc-cykel. Jo mere du træder i pedalerne, jo mere assistance yder cyklen. Holder du op med at træde i pedalerne, stopper motorassistenten tilsvarende.



**ADVARSEL:** På grund af den elektriske assistance, vil du være meget hurtigere og mere dynamisk på vejen, end du ellers er vant til på traditionelle cykler. Vi anbefaler derfor, at du tager dig god tid til at vænne dig til denne nye kørestil.

### Batteriniveau – antal tændte LED-indikatorer

5 LED-indikatorer lyser blåt	- 80 - 100 % batteriniveau
4 LED-indikatorer lyser blåt	- 60 - 80 % batteriniveau
3 LED-indikatorer lyser blåt	- 40 - 60 % batteriniveau
2 LED-indikatorer lyser blåt	- 20 - 40 % batteriniveau
1 LED-indikator lyser blåt	- 1 - 20 % batteriniveau

### Fejlkoder – blinkende LED-indikatorer

4 LED-indikatorer lyser rødt	→ motorkabelfej
3 LED-indikatorer lyser rødt	→ Torquesensorfej i bundbeslaget
2 LED-indikatorer lyser rødt	→ Øvrige fejl
1 LED-indikator lyser blåt	→ Lavt batteriniveau

### Lyset tændes/slukkes

Din Coboc-cykel er udstyret med lygter. Du kan tænde og slukke for dem ved at holde power-knappen (7) nede i 3 sekunder. Dette er stadig muligt, når Coboc e-drive-systemet er slukket.

## KØRSEL

Din Coboc-cykel kører som en traditionel cykel - blot mere dynamisk. Jo mere du træder i pedalerne, jo mere assistance yder cyklen. Holder du op med at træde i pedalerne, stopper motorassistenten tilsvarende.



**ADVARSEL:** Du bliver meget mere dynamisk med din Coboc-cykel, end du er vant til. Vi anbefaler derfor, at du tager dig god tid til at vænne dig til denne nye kørestil.



**INFO:** Hvis du fornemmer, at motorassistenten indstilles for tidligt eller for sent, ved meget lavt eller meget højt tryk på pedalerne, skal du være opmærksom på, at du altid kan kalibrere torquesensoren igen. Besøg <https://support.coboc.biz/> eller kontakt din lokale cykelhandler.



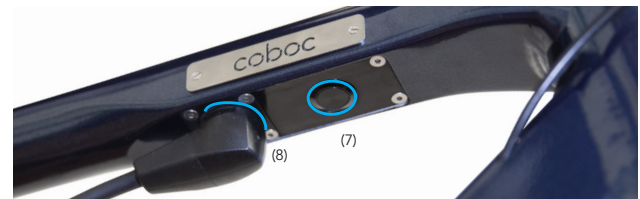
**INFO:** I tilfælde af uregelmæssigheder under drift eller andre fejl, kan du forsøge at nulstille systemet. For at gøre dette skal du trykke på power-knappen (7) i ca. 20 sekunder. Din cykel bekræfter nulstillingen ved, at LED-erne kortvarigt blinker blåt, og derefter lyser grønt.

## Opladning

Ladeporten (8) er placeret lige bag power-knappen (7) på cyklens brugerinterface. Tilslut blot den magnetiske oplader for at påbegynde opladningen af din Coboc-cykel.

En fuld opladning af batteriet fra 1 % til 100 % tager normalt 2½ time med den almindelige Coboc 4A-oplader. Dog er batteriet allerede opladet til 90 % efter to timer, hvilket betyder, at opladningstiden for de sidste 10 % tager lidt længere tid (en halv time).

Den ideelle udetemperatur til batteriopladning ligger mellem +5 °C og +35 °C. Ved temperaturer på 0 °C og derunder samt +40 °C og derover deaktiveres opladningen for at beskytte batteriet.



## Lovgivning

Du skal altid overholde gældende love og regler, når du cykler på din Coboc-cykel. Nedenfor vises kun et udpluk, og du bør derfor selv sætte dig helt ind i gældende love og regler. Sørg for kontinuerligt at holde dig opdateret, idet der kan ske ændringer i lovgivningen.

Inden for EU hører pedelecs med motorassistance på op til 25 km/t og en motor med en kontinuerlig ydelse på 250 watt ind under de samme regler som traditionelle cykler. Cykler med pedalassistance, der kan nå højere tophastigheder og/eller højere motorydelse, er i henhold til EU-direktiv 2002/24/EG, benævnt knallerter med begrænset ydeevne. Sådanne køretøjer kræver en typegodkendelse, såsom pligt til at bære hjelm og en forsikringsforpligtelse.

Coboc-cykler leveres med en tophastighed på 25 km/t og en motorydelse på 250 watt som standard, hvorfor de i henhold til EU-direktiv 2002/24 /EG er undtaget fra typegodkendelse.

Ifølge Rådet for SikkerTrafik er følgende udstyr på cyklen lovpligtig i Danmark.

### Lys

Når det er mørkt, tåget eller svært at se på grund af f.eks. regn eller slud, skal du have lys på cyklen. Cykellygterne skal kunne ses tydeligt på mindst 300 meters afstand og også være synlige fra siden.

Forlygten skal lyse hvidt, gult eller blåligt. Baglygten rødt. Hvide, blålige og røde lygter må gerne blinke – med mindst 120 blink i minuttet. Gule forlygter skal lyse konstant.

Tjek jævnligt lygterne og skift batteriet, når lyset begynder at blive svagt. Lygterne skal tændes fra solen går ned, til den står op.

### Reflekser

Din cykel skal kunne ses fra alle vinkler i mørke.

Den skal have en hvid refleks, der er synlig forfra, en rød refleks, der er synlig bagfra, og to gule reflekser på hver pedala.

I hvert hjul skal der være en gul refleks i egerne eller hvide reflekterende dæk - eller fælgsider.

Husk at rengøre reflekserne et par gange om året, så de reflekterer så godt som muligt.

Skift reflekserne, hvis de går i stykker.

### Ringeklokke

Din ringeklokke skal lyde klart og tydeligt. Den skal sidde på styret, og du må ikke erstatte den med et horn eller andet larmende.

Andre trafikanter skal kunne genkende ringsignalet.

### Bremser

Du skal have bremser på begge hjul. Det kan enten være to håndbremser, eller en fodbremse kombineret med en håndbremse.

Tjek jævnligt om bremserne virker, som de skal, eller om det er tid til at skifte, stramme eller smøre kablerne.

Ansaret for overholdelse af trafikikkerheden for din Coboc-cykel ligger hos dig.

## Maksimal belastning på din Coboc-cykel

Overbelast ikke din Coboc-cykel. Den tilladte samlede belastning må aldrig overskrides. Se nedenstående tabel for maksimal belastning, som inkluderer førerens, cyklens og bagagens vægt.

Maks. totalvægt	Cykelvægt	Maks. ryttervægt	Maks. vægt / taskeholdere	Maks. totalvægt på trailer
140 kg	16 kg	120 kg	10 kg + 10 kg	50 kg

Din Coboc-cykel er udstyret med aftagelige taskeholdere og skærme. Bemærk: Maks. belastning på 10 kg på begge sider. Den samlede maksimale belastning må stadig ikke overskrides. Kontroller regelmæssigt, at monterings skrueerne til skærme og taskeholderne er strammet godt.



**ADVARSEL:** Kør aldrig mere end en på cyklen ad gangen. Din Coboc-cykel er udelukkende designet til transport af en person. Undtagelse: Hvis du har børn med på cyklen – i barnestol eller cykelanhænger. Vær opmærksom på gældende love og regler og den tilladte maks. belastning på din Coboc-cykel.

## Cykelanhænger

Din Coboc-cykel kan trække en et- eller tosædet cykelanhænger. Den skal installeres på KSA18 bagstag på cykelrammen vha. en Weber EU-kobling (1) og må ikke overstige en totalvægt på 50 kg. Den tilladte totalvægt på din cykel må ikke overskrides selv med en anhænger og personbelastning. For yderligere information, kontaktes din Coboc-forhandler. Bemærk: Lad altid aut. fagmand udføre installationen af anhængerens.

## Barnestol

Din Coboc-cykel er velegnet til montering af en barnestol med et holdebeslag på sadelrøret (fx Römer Jockey). Brug kun testede og godkendte barnestole med denne type fastspænding. For mere information, kontaktes din Coboc-forhandler. Bemærk: Lad altid en aut. fagmand udføre installationen af barnestolen.



**ADVARSEL:** Børn, der sidder i en barnestol, skal altid bære en passende cykelhjelm. Hvis din Coboc-cykel er parkeret, må der ikke sidde et barn i barnestolen. Fare for at cyklen vælter og forårsager person- og/eller produktskade.



**ADVARSEL:** Din Coboc-cykel er ikke beregnet til at blive udsat for ekstreme situationer som at køre ned ad trapper eller op ad ramper.

Hvis din Coboc-cykel er udstyret i henhold til lovgivningen, kan den bruges på offentlige veje. Se afsnittet: Lovgivning.

Bemærk også, at overholdelse af drifts- og vedligeholdelsesanvisningerne i denne brugsanvisning udgør en vigtig del af den tilsigtede brug af Coboc-cyklen.



**ADVARSEL:** Din Coboc-cykel er ikke et legetøj. Lad ikke børn håndtere din Coboc-cykel uden klare instruktioner om brugen og efterlad dem aldrig uden opsyn, når de er i nærheden af cyklen. Du bør orientere børn om de farer, der er forbundet med brugen af elektroniske produkter. Følg gældende minimumsaldrer for brug af elektroniske produkter.

## Inden hver cykeltur



INFO: Lydniveauet ved kørerens øre overstiger ikke 70 dB(A).

Coboc samt dennes distributører og forhandlere påtager sig intet ansvar for anden brug end den tilsigtede, og kan ikke holdes ansvarlige for person- og/eller produktskader, der opstår grundet manglende overholdelse af sikkerhedsanvisningerne i denne brugsanvisning.

Sørg for, at din Coboc-cykel er klar til drift, og at den er tilpasset din kropshøjde. Sadelhøjde og styrets position skal justeres korrekt. Din sadel skal indstilles til en behagelig og sikker højde.



ADVARSEL: Valg af en rammestørrelse der ikke passer til din højde, eller manglende vedligeholdelse/tilpasning kan føre til tab af kontrol og styrt. Fare for alvorlige person- og/eller produktskader. Hvis du har problemer med at vælge den rigtige rammestørrelse, eller er usikker på hvordan din Coboc-cykel tilpasses korrekt til dig, bedes du kontakte din lokale Coboc-forhandler.

### Sadeljustering



ADVARSEL: Sadlen må aldrig sættes højere end til markeringen på sadelpinden. Fare for styrt og person- og/eller produktskade, hvis sadlen hæves til op over markeringen. Garantien på din Coboc-cykel bortfalder, hvis sadlen justeres til over maks. højde. Producenten/distributøren/forhandleren kan ikke holdes ansvarlige for person- og/eller produktskader, hvis anvisningen ikke følges.

Du kan placere din sadel i tre forskellige positioner. Efter justering skal du sørge for, at skruerne under sadlen og ved sadelpinden er ordentligt fastspændte. Sæt dig på sadlen og sæt den ene fod på pedalen, mens du placerer den anden fod på jorden. Brug nu din hæl til forsigtigt at træde i pedalen, indtil kranken er på linje med sadelpinden. Hvis du står på pedalen, men dit ben ikke er helt udstrakt, er sadelindstillingen for lav. Omvendt, hvis du skal strække dig for at nå pedalen, eller har behov for at skyde bækkenet fremad, er sadelindstillingen for høj. Hvis det er nødvendigt, kan du løse skruen på sadelpinden, og justere sadlen til den korrekte højde. Spænd herefter skruen igen.

Sørg for, at sadlen er på linje med cyklens top tube. Løsn, hvis nødvendigt, sadelskruen og bevæg sadlen til højre eller venstre. Stram skruen igen. Det er også muligt at justere sadelhældningen i forhold til cyklens top tube. Løsn sadelskruen, juster og spænd skruen igen.



ADVARSEL: Husk det tilladte moment (torque Nm) for alle disse trin. Se afsnittet: Moment (torque Nm) og sørg for, at alle skruer strammes, inden du juster sadlen eller bruger din Coboc-cykel.

### Regelmæssig kontrol af cykel

Kontroller at lygterne på din Coboc-cykel fungerer.

Du skal være i stand til at nå begge håndbremsen uden problemer. Sørg også for at vide hvilken håndbremse, der hører til hvilken bremse. Som standard hører højre håndbremse til bagbremsen, og venstre håndbremse til forbremsen. Bemærk, at bremselængden øges, og at hjulene kan blokere hurtigere, hvis underlaget er vådt.

Sørg for, at skruerne til sadel, styr og bremsen er strammet korrekt. Se afsnittet: Moment (torque Nm). I tvivlstilfælde kan du prøve at dreje sadlen, styret eller bremserne. Intet skal kunne bevæge sig. Sørg også for regelmæssigt at kontrollere alle andre skruer, og sørg for at de er strammet korrekt. Sørg for, at rammen og gafflen ikke er beskadigede.

Kontroller regelmæssigt for slitage på friktionskomponenter inde i bremserne. Se afsnittet: Vedligeholdelse.

### Test af bremsesystemet

Skub din Coboc-cykel fremad, mens du trækker bagbremsen. Hvis alt er korrekt justeret, skal baghjulet blokere. Hvis du bruger forbremsen, skal dit baghjul løfte sig over jorden. Der må ikke være slør i styret. Håndbremsen skal blot trækkes halvvejs i denne test.

## Kontrol af hjulene

Kontroller hjulene og dæktrykket! Undersøg hjul og fælge for slitage, skader, revner, skævheder eller mindre objekter, der kan være trykket ind i hjulene (f.eks. glasfragmenter). Vi anbefaler dig at bruge en passende cykelpumpe med indbygget trykmåler. Det optimale dæktryk er angivet på siden af hjulet og kan variere i henhold til hjulmodellen. I tvivlstilfælde, eller hvis du bruger andre komponenter end dem, der medfølger som standard, henvises du til hjulproducenten for rette dæktryk. Hvis dæktrykket er for lavt, er der en øget risiko for punktering. Dette kan desuden give varige skader på fælgene.

Hvis trykket er for højt, kan både hjul og/eller fælge blive beskadigede. Under alle omstændigheder kan forkert dæktryk forårsage styrt.



**ADVARSEL:** Hvis du er usikker på, om din Coboc-cykel er i teknisk sikker stand, bør du ikke bruge den. Kontakt i stedet din lokale Coboc-forhandler eller en servicepartner og få dem til at tjekke cyklens stand, inden du cykler på den igen.



**ADVARSEL:** Dæktrykket må aldrig falde til under 35 psi. Fare for produktskade.

*Hvis du bruger din Coboc-cykel meget, skal du sørge for, at cyklen regelmæssigt bliver kontrolleret. Se afsnittet: Vedligeholdelse.*



**INFO:** Inden du cykler, skal du sørge for, at batteriniveauet er tilstrækkeligt højt til den påtænkte køretur. Se afsnittet: Batteriniveau.

Vi antager, at du som Coboc-cykelbruger har tilstrækkelig grundlæggende cykelviden fra traditionelle cykler. Hvis dette ikke er tilfældet, anbefaler vi først at træne på en cykel uden motorassistance. På grund af den stærke acceleration og den øgede maksimale hastighed anbefales det, at du er en habil cykelbruger, inden du anvender en elcykel.

Væn dig først til din Coboc-cykel. De specielle køreegenskaber for Coboc-cykler kræver, at du gør dig bekendt med dem i forskelligt terræn. Sørg for, at du har fuld kontrol over cyklen, inden du tager den i brug på offentlige veje.

## Betjening af Coboc e-drive-systemet

Din Coboc-cykel har to driftsindstillinger:

“Bike Off” / manuel kørsel uden motorassistance: Du kan bruge din Coboc-cykel som en traditionel cykel uden motorassistance. De fem LED-indikatorer på cyklens top tube er slukkede. Når cyklen ikke bruges og under opbevaring, skal din Coboc-cykel være indstillet på: “Bike Off”.

“Bike On” / kørsel med motorassistance: Tryk på power-knappen for at aktivere motorassistenten. Når de fem LED-indikatorer lyser, er motorassistenten aktiveret. Når assistancen er aktiveret, indikerer LED-indikatorerne batteriniveauet. Maks. hastighed med assistance er 25 km/t.

## Motorassistenten slukkes

Tryk på power-knappen. Bemærk: din Coboc-cykel slukker automatisk efter tre minutters ineffektivitet.

## Handling

### Brug af lygterne

Din Coboc-cykel er udstyret med et integreret lygtesystem, som også betjenes med power-knappen. Lyset tændes/slukkes ved at holde power-knappen nede i tre sekunder. Lyset kan både bruges i "Bike On" og "Bike Off"-indstillingerne og slukkes automatisk, når din cykel har været inaktiv i mere end fire minutter.

Bemærk: Lyset kan bruges i op til to timer efter batteriets afladning.





## Gør dig bekendt med bremsesystemet

Sørg for at vide, hvilken håndbremse der hører til hvilken bremse. Som standard hører højre håndbremse til bagbremsen, og venstre håndbremse til forbremsen. Kontroller regelmæssigt for slitage på friktionskomponenter inde i bremserne. Se afsnittet: Vedligeholdelse.

Det er vigtigt, at du kontrollerer, om der er tegn på slitage på dine fælgbremseklodser. Sørg også for at kontrollere bremseskoenes bremseklodser for slitage. Se afsnittet: Vedligeholdelse. Risiko for svigt i bremsesystemet, hvis der er tegn på svær slitage på disse komponenter. Fare for alvorlig person- og/eller produktskade.



**ADVARSEL:** Brug dine bremses på en kontrolleret og tidsbegrænset måde. For voldsom opbremsning kan blokere hjulene, og forårsage styrt. Fare for alvor person- og/eller produktskade.

## Hydrauliske skivebremses

Undgå at bruge bremserne kontinuerligt, hvis du i længere tid kører ned ad bakke. Dette kan forårsage dampbobledannelse og derfor føre til, at du taber kontrollen over cyklen. Fare for alvor person- og/eller produktskade. Forsøg derfor med jævne mellemrum at løse bremserne helt eller at skifte mellem for- og bagbremserne. På den måde kan bremsesystemet køle af. Tag om nødvendigt en kort pause for at afkøle det. Kontroller altid bremsepunktet, inden du kører. Hvis du er i stand til at trække håndbremserne helt tilbage til styret, eller hvis bremsepunktet ændres, mens du kører, bør du ikke bruge cyklen. Lad i stedet din Coboc-forhandler kontrollere dine bremses, inden du cykler videre.

## Motorassistaniveau

Niveauet af motorassistenten tilpasser sig til din køreadfærd. Jo hårdere du træder i pedalerne, jo højere omdrejningsmoment kommer der på motoren. Dette eliminerer behovet for valg af assistance. Du kan dog lave en finjustering af Coboc e-drive-systemet via Coboc-appen. Bemærk, at vi fraråder, at du anvender Coboc-appen, mens du cykler. Se afsnittet Coboc-app.

## To forskellige køremodes

Siden lanceringen af firmwareversionen 3.34 kan du nu vælge mellem to forskellige køremodes. Du kan enten få adgang til dem via vores Coboc-app eller power-knappen på din cykel.

Køreindstillinger for begge køremodes kan justeres individuelt og gemmes, også selvom cyklen og telefonen ikke er forbundet.

Du kan vælge mellem de to køremodes med et dobbelttryk på power-knappen. Displayet bekræfter valget, ved at farven på LED-displayet skifter fra blå til grønt. Du kan også skifte mellem de to køremodes via Coboc-appen.



**ADVARSEL:** Træd først i pedalerne, når du sidder sikkert på din Coboc-cykel. Så snart trykket påføres pedalerne, aktiveres motorassistenten. Hvis du ikke vil sidde på cyklen inden start, men ønsker at sætte en fod på pedalen, mens du svinger benet over sadlen, skal du være opmærksom på, at cyklen pludselig kan begynde at bevæge sig. Risiko for personskade!

Stop i tide med at træde i pedalerne. Motorassistenten stoppes, så snart kranken holder op med at dreje. Vær særlig opmærksom på dette ved vejkryds og sving. Hvis du har problemer (f.eks. fordi du ikke stoppede med at træde i pedalerne i tide), kan du altid stoppe motoren ved hjælp af baghjulsbremsen.

## Ibrugtagning

### Gearskift

Din Coboc-cykel er udstyret med indvendigt SRAM GX-gearsystem med 11 gear. Gearskifteren er placeret på styrets højre side, og tilsluttet bagskifteren, der er installeret på baghjulet.

Begge gearskiftere (A) og (B) aktiveres ved at trække i grebene. De returnerer automatisk til udgangspositionen efter aktivering. Sørg for at træde i pedalerne, mens du skifter gear. Bemærk: Træd ikke baglæns i pedalerne under gearskifte, da dette kan beskadige gearsystemet.

Reducer trykket på pedalerne under gearskifte. Herved skifter du hurtigt og ubesværet mellem gearene og reducerer ydermere slid på kæde og tandhjul.



**ADVARSEL:** Gearskifte ved maksimal vægt kan forårsage beskadigelse af kæden. Fare for person- og/eller produktskade.

### Skifte til lavere gear

For at skifte til et lavere gear, trykker du på gearskifteren (A), indtil den klikker. For at skifte flere gear ad gangen skal du trykke på skifteren, indtil den klikker gentagne gange. Du kan maksimalt skifte fem gear på én gang.

### Skifte til højere gear

For at skifte til et højere gear, trykker du på gearskifteren (B), indtil den klikker. Bemærk: Du kan kun skifte et gear ad gangen. Tryk derfor flere gange på skifteren, hvis du skal skifte mellem flere gear.

For yderligere information om montering og funktionen af SRAM GX-gearsystemet; besøg Cobocs hjemmeside eller kontakt din lokale Coboc-forhandler.

## Batteri & oplader



Din Coboc-cykel er udstyret med et moderne lithium-ion-batteri. Denne type batteri giver den mest avancerede energitæthed, hvilket betyder maksimal rækkevidde ved minimum vægt. Derudover har lithium-ion-batterier ingen hukommelseffekt. Dette batteri har en nominal spænding på 36 volt og en nominal kapacitet på 380 Wh.



**INFO:** Batteriet på din Coboc-cykel er installeret i rammen. Denne montering muliggør en meget lav køretøjsvægt samt optimal fugtbeskyttelse. Batteriet forbliver i rammen, også under opladning. Kun en aut. fagmand må afmontere batteriet.



**ADVARSEL:** Forsøg ikke selv at afmontere batteriet! Coveret, som er placeret på bunden af cyklens down tube, må under ingen omstændigheder åbnes. Det er udelukkende aut. fagmænd, der må udføre reparationer på drivsystemet. Fare for alvorlig personskade eller livsfare grundet strømførende dele. Drivsystemet er ydermere beskyttet mod fugt via en speciel tætningsteknologi. Hvis coveret åbnes uden godkendelse fra Coboc fratæller garantien øjeblikkeligt. Hverken Coboc, distributøren eller forhandleren kan holdes ansvarlige for de person- og/eller produktskader, der kan opstå, hvis anvisningerne ikke overholdes.

## Rækkevidde

Rækkevidden på din Coboc-cykel er afhængig af forskellige faktorer og kan derfor svinge. Herunder gælder: overfladetype, skråninger, vindforhold, dægegenskaber, lufttryk, ryttervægt, kadence, kørehastighed og temperatur. Valg af køremode har ydermere indflydelse på rækkevidden af din Coboc-cykel. Oplysninger om Coboc-appen og indstillingen af de enkelte køremodes kan findes her: [www.coboc.biz/en/the-coboc-app](http://www.coboc.biz/en/the-coboc-app)

Med et fuldt opladet batteri i jævnt terræn og på køremode 1 (LED-indikatorerne lyser blå) vil rækkevidden variere mellem 70-100 km. Kører du på asfalt med et lavt dæktryk, øges rullemodstanden, og derved reduceres rækkevidden. Modvind og/eller kuperet terræn vil også have en negativ indvirkning på rækkevidden. Afhængig af køreindstillingen i valgte køremode, kan motorassistenten øges. Gøres dette, reduceres rækkevidden. En høj samlet vægt reducerer ydermere rækkevidden. Hvis du kører over 25 km/t, deaktiveres motorassistenten, og cyklen fungerer som en traditionel cykel. Dette forlænger den resterende rækkevidde.

På varme dage (batteritemperatur på op over 60 °C) slukker batteriet automatisk af sikkerhedsmæssige årsager. Derefter skal det køle af, inden det kan bruges igen. Hvis din cykel ikke tændes eller bliver opladet i mere end 30 dage, går den automatisk i en dvaletilstand for at spare strøm på batteriet. Cyklen kan ikke tændes, når den er i dvale. Tilslut opladeren, for at aktivere cyklen, hvis den er i dvale.

Batteriniveauet vises på cyklens brugerinterface. Op til fem LED-indikatorer lyser, når Coboc-cyklen er tændt:

5 LED-indikatorer	lyser blå	→	80 - 100	batteriniveau
4 LED-indikatorer	lyser blå	→	60 - 80	batteriniveau
3 LED-indikatorer	lyser blå	→	40 - 60	batteriniveau
2 LED-indikatorer	lyser blå	→	20 - 40	batteriniveau
1 LED-indikator	lyser blå	→	1 - 20	batteriniveau



**INFO:** Hvis mere end en LED-indikator lyser rødt, indikerer dette en fejl på drivsystemet. Se afsnittet: Fejkoder for yderligere information.

## Opladning af batteriet

Den ideelle udetemperatur til batteriopladning ligger mellem +5 °C og +35 °C. Ved temperaturer på 0 °C og derunder samt +40 °C og derover deaktiveres opladningen for at beskytte batteriet.



**FORSIGTIG:** Undgå at bruge andre opladere end den, der er medfølger produktet. Moderne lithium-ion-batterier kræver originale opladere. Fare for brand og/eller eksplosion.



**ADVARSEL:** Sørg for at tjekke opladeren for eventuel ekstern skade. Benyt aldrig en defekt oplader.

Ladeporten er placeret i bunden af cyklens top tube. Der er kun en måde at tilslutte stikket. Ladeporten og stikket er magnetiske og forbliver vedhæftede, hvis de er korrekt tilsluttede.

## Batteri & oplader

Oplad kun batteriet på tørre og godt ventilerede steder, da opladeren ikke må udsættes for regn, vand eller fugt. Sørg for, at der ikke er brandfarlige objekter i nærheden, når du oplader din cykel. Opbevar altid din oplader et sikkert sted, så den ikke beskadiges.



**ADVARSEL:** Benyt kun opladeren indenfor. Bemærk yderligere tips direkte på opladeren og se den medfølgende manual til opladeren.

For at oplade dit batteri, skal du sætte stikket i en passende stikkontakt og tilslutte opladeren til din Coboc-cykel. Sørg for, at tilslutningsværdierne opfylder landets love og regler. Den medfølgende oplader er designet til: 220V og 240V.

Opladning begynder, så snart opladeren er tilsluttet, og din Coboc-cykel slukkes. Du kan ikke tænde din Coboc-cykel, mens du oplader den.

LED-indikatorerne lyser nu op efter hinanden for at indikere igangværende opladning. Når din Coboc-cykel er fuldt opladet, slukkes den automatisk. Opladeren viser, når batteriet er fuldt opladet.

En fuld opladning af batteriet fra 1 % til 100 % tager normalt 2½ time med den almindelige Coboc 4A-oplader. Dog er batteriet allerede opladet til 90 % efter to timer, hvilket betyder, at opladningstiden for de sidste 10 % tager lidt længere tid (en halv time).

Du kan holde din Coboc-cykel tilsluttet til opladeren selv efter opladningen er afsluttet. Batteriet overoplades ikke. Vi anbefaler dog, at du tager stikket ud af din Coboc-cykel og stikkontakten af sikkerhedsmæssige årsager.

Sørg for at din Coboc-cykel og lithium-ion-batteriet er dækkede af din forsikring. Hold dig kontinuerligt opdateret med gældende love og regler.

### Opbevaring



**ADVARSEL:** Hvis din cykel ikke skal bruges gennem en længere periode, skal du sørge for, at batteriet er fuldt opladet. Hvis batteriet inden opbevaring blev opladet helt, skal det genoplades igen efter senest otte måneder. Cyklen må ikke stilles til opbevaring med et komplet afladet batteri. Producenten/distributøren kan ikke holdes ansvarlige for de skader, der kan opstå, hvis batteriet ikke bliver opladet under opbevaring eller blev stillet til opbevaring med et afladet batteri.

Ved konstant opladning reduceres levetiden på batteriet hurtigere. Ved komplet afladning kan batteriet permanent skades/ødelægges. Vi anbefaler derfor at oplade cyklen helt, før den opbevares, fjern opladeren og opbevare den i kølige temperaturer på ca. 15 ° C.

Lithium-ion-batterier aflades automatisk over tid. For at spare energi, går cyklen automatisk i dvale. Oplad batteriet efter senest otte måneder.

Cyklen bør ikke opbevares permanent ved temperaturer på over 20 °C. Lithium-ion-batterier aflades langsomt, også selvom de ikke bruges. For at undgå en fuldstændig afladning går din Coboc-cykel i dvale, hvis den ikke benyttes. Tilslut opladeren, for at aktivere cyklen, hvis den er i dvale.



**ADVARSEL:** Hvis batteriet ikke bruges igennem længere tid, må det ikke være kontinuerligt tilsluttet opladeren i løbet af dette tidsrum. Batteriet mister sin kapacitet hurtigere, hvis batteriet konstant er på 100 %. Bemærk: Manglende overholdelse af opladningsanvisningerne kan føre til et beskadiget eller ubrugeligt batteri. Garantien bortfalder øjeblikkeligt, hvis opladningsanvisningerne ikke følges.

### Transport

Lithium-ion-batterier på over 100 Wh er underlagt international lovgivning om farligt gods. Batteriet, der er installeret i din Coboc-cykel (380 Wh), er klassificeret som gods i fareklasse 9. Derfor skal transport ad vej, sø eller luft godkendes specifikt på forhånd. Det er obligatorisk at søge rådgivning fra en ekspert på farligt gods.

Husk, at mange transportfirmaer har visse retningslinjer for transport af enheder eller køretøjer udstyret med lithium-ion-batterier.

### Bortskaffelse

Bortskaf ikke din Coboc-cykel, oplader eller dit batteri sammen med husholdningsaffaldet.



INFO: Inden for EU er man som forbruger forpligtet til at returnere ikke-brugbare batterier. I overensstemmelse med EF-direktiv 2002/66/EF skal defekte og/eller brugte batterier indleveres separat og bortskaffes på en miljøvenlig måde.

Indlever derfor brugte batterier på den lokale genbrugsplads. Bemærk afmontering af batteriet fra din Coboc-cykel bør kun udføres af en aut. fagmand.



ADVARSEL: Vedligeholdelse og reparationer på drivsystemet må udelukkende udføres af en aut. fagmand. Coveret, som er placeret på bunden af cyklens down tube, må under ingen omstændigheder åbnes. Fare for alvorlig personskade eller livsfare grundet strømførende dele. Drivsystemet er ydermere beskyttet mod fugt via en speciel tætningsteknologi. Hvis coveret åbnes uden godkendelse fra Coboc, bortfalder garantien øjeblikkeligt. Hverken Coboc, distributøren eller forhandleren kan holdes ansvarlige for de person- og/eller produktskader, der kan opstå, hvis anvisningerne ikke overholdes.



ADVARSEL: Sluk for din Coboc-cykel ("Bike Off", sluk lygterne, hvis disse er tændte). Sørg altid for, at din Coboc-cykel er slukket inden udførsel af vedligeholdelses- eller reparationsarbejde. Motoren kan starte pludseligt, hvis reparationer udføres på en tændt Coboc-cykel med strømførende dele. Fare for alvorlig person- og/eller produktskade.

Fjern ikke det nederste beslag! Det nederste beslag på din Coboc-cykel er udstyret med en sensor, der er internt forbundet med drivsystemet. Forkert afmontering kan forårsage skader på kabler og/eller sensor.

### Rengøring og vedligeholdelse

Rengør din Coboc-cykel regelmæssigt. Dette holder ikke blot cyklen pæn, men er vigtigt for optimal funktionalitet. Benyt ingen damp- eller højtryksrensere til rengøring af cyklen. Fare for produktskade. Vask den kun med hænderne, og vend den aldrig på hovedet. Elektronikken og kuglelejerne er tæt forseglede, hvilket muliggør regelmæssig drift selv på regnvejrsdage. Rengøring med højtryk kan medføre, at væsker og/eller snavs trænger ind gennem tætningerne og kan beskadige lejer og/eller elektronik.

Hold altid kæden smurt. Dette muliggør en støjsvag drift og minimerer slidage. Sørg for at bruge en passende kædeolie.

### Sikkerhedsanvisninger, kulstofkomponenter

Din Coboc-cykel er udstyret med en meget let kulstofgaffel af høj kvalitet. Denne reducerer vægten og booster designet på cyklen.



FORSIGTIG: Komponenter fremstillede af kompositmateriale kan blive beskadigede på steder, der ikke er synlige ved første øjekast. Fare for person- og/eller produktskade. Derfor skal disse komponenter kontrolleres efter styrt/hårdt fald.

## Vedligeholdelse

Desuden kræver kulstofdele regelmæssige visuelle inspektioner. Kontroller om maling, finish eller fibre løsnes. Kontroller delene for overfladeændringer (splinter, huller eller dybe ridser). Sørg for at kontrollere om komponenterne bliver blødere eller mindre stive og solide. Hvis dette er tilfældet med en eller flere komponenter, skal disse straks udskiftes.

### Specialfeatures for kulstofkomponenter

Kulfiberforstærket plast er et let materiale, der har meget specifikke egenskaber. En forståelse for disse egenskaber er vigtigt for at sikre fejlfri drift samt lang produktlevetid.

Kulstof kan bruges til at fremstille meget lette men samtidig utrolig robuste højkvalitetscykelkomponenter, hvis de behandles korrekt.

Imidlertid er ulempen ved dette materiale, at mulige skader muligvis ikke er synlige ved første øjekast, da kulstof ikke deformeres ved overbelastning, som aluminium eller stål. Materialet kan beholde sin form, selvom den indvendige struktur allerede er beskadiget. En beskadiget struktur påvirker komponentens stabilitet og kan derfor føre til alvorlige fald og kvæstelser. Hvis du er bekymret for tilstanden af en af kulstofkomponenterne, skal du kontakte din Coboc-forhandler.



**FORSIGTIG:** Hvis du hører en smældende lyd, kan dette indikere en defekt kulstofkomponent. Kontroller regelmæssigt skruefittings på dine kulstofkomponenter for korrekt moment. Hvis der fortsat høres en smældende lyd, skal du kontakte din Coboc-forhandler. Cyklen må under ingen omstændigheder bruges med en defekt kulstofkomponent.



**FORSIGTIG:** Kulstofkomponenter bør aldrig opvarmes til høje temperaturer, som ved pulverbelægninger eller lakfinish. Varmen kan beskadige komponenterne. Sørg for at cyklen ikke opbevares i et køretøj eller på et sted, hvor den er udsat for stærkt sollys.

### Vedligeholdelse af kulstofkomponenter

Kulstofkomponenterne rengøres med en blød klud og rent vand. Hvis nødvendigt kan du tilføje et neutralt rengøringsmiddel (oliebaseret).



**FORSIGTIG:** Benyt aldrig et affedningsmiddel, der indeholder acetone, metylklorid eller triklorætylen. Kemiske og/eller ikke neutrale rengøringsmidler, der indeholder opløsningsmidler, kan angribe overfladen og svække kulstofkomponenten.



**ADVARSEL:** Letvægtskulstofdele kan være særligt udsatte for slitage. Følg derfor altid instruktionerne omkring anbefalede serviceintervaller, og få kulstofkomponenterne kontrolleret regelmæssigt for defekter og/eller slitage af din Coboc-forhandler.



**ADVARSEL:** Kulstofkomponenter må aldrig smøres. Gøres dette, kan der trænge fedt ind i overfladen, hvilket umuliggør det rette moment (torque). Vi anbefaler at bruge kulstofpasta i stedet.



**ADVARSEL:** Kontroller dine kulstofkomponenter for synlige skader, såsom hakker, buler, revner, misfarvning, osv. Kontakt din Coboc-forhandler, hvis disse defekter bemærkes. Undlad at bruge cyklen, indtil den er kontrolleret af en aut. fagmand.

## Service

På trods af at moderne teknologi ofte er udstyret med høj ydeevne, har det stadig brug for vedligeholdelse. Derfor skal du sørge for at vedligeholde din cykel regelmæssigt. For at garantere en pålidelig funktion og for at sikre dine garantikrav skal du sørge for, at din Coboc-forhandler eller servicepartner udfører en årlig service af din cykel.

Den første service af din Coboc-cykel har speciel betydning for optimal og pålidelig funktion. Kabler og eger kan strække sig, mens skruer muligvis løsner sig. Sørg derfor for at få din cykel kontrolleret af din Coboc-forhandler eller servicepartner efter den første driftsmåned eller de første 100 kørte kilometer.

Følgende tabel viser tidsrum, der kan tjene som indikationer for cyklister, der kører mellem 1500 og 2500 km om året. At køre på dårlige veje, under dårlige vejrforhold eller hvis man kører mere end 2500 kilometer årligt, forkorter tilsvarende serviceintervallet. Hvis du ikke har det tekniske knowhow til at vedligeholde din cykel, skal du sørge for at få den kontrolleret af din Coboc-forhandler eller servicepartner.

## Anbefalede serviceintervaller

Komponent	Aktivitet	Inden hver køretur	Månedlig	Årlig
Hjul	Kontroller funktion	x		
	Kontroller fælle		x	
	Kontroller bremseskodser		x	
	Kontroller bremserotorer		x	
	Kontroller egerspænding		x	
	Kontroller generel spænding		x	
Gearskiftere og bremseslange	Visuel kontrol		x	
Dæk	Kontroller dæktryk	x		
	Kontroller ventil		x	
Kæde	Kontroller smøring	x		
	Kontroller spænding		x	
	Kontroller slitage		x	
Motorer	Kontroller lejeslør			x
Pedaler	Kontroller lejeslør		x	
Krank	Kontroller bolte		x	
Styr / frempind	Kontroller bolte		x	
	Visuel kontrol			x
Headset-styrfittingslejer	Kontroller lejeslør		x	
Skrueforbindelse Hjul	Kontroller / efterspænd	x		
Skruer / Møtrikker	Kontroller / efterspænd		x	
Motoraksel	Visuel kontrol		x	
Skærme	Kontroller / efterspænd		x	
Taskeholdere	Kontroller / efterspænd		x	
Støtteben	Kontroller / efterspænd		x	

## Vedligeholdelse

- Sørg for, at dine bremses fungerer korrekt inden hver cykeltur. Begge bremses skal fungere fejlfrit og må ikke blokere. Du burde ikke være i stand til at trække håndbremsene helt ind til styret. Sørg for at kontrollere for slitage på dine bremseklodser, på siden af fælgbremses/skiverne på dine skivebremses ca. en gang om måneden. Se afsnittet: Justering af bremses.
- Sørg for at kontrollere både kabelhousing og bremsekabler regelmæssigt, og mindst en gang om måneden. Coatingen bør ikke være beskadiget, og kabelhousingen må ikke være defekt. Dette betyder, at plasticcoatingen på det ydre bremsekabel ikke må være beskadiget, og at den indvendige metalcoating aldrig må være ubeskyttet. Sørg for at ledningerne inde i bremsekablerne ikke viser tegn på skader, og at de indvendige kabler løber glat gennem kabelhousingen.
- Sørg for at kontrollere trykket på begge dæk før hver cykeltur. Det anbefalede dæktryk afhænger af dæktypen og er normalt angivet på dækkets side. Din TEN Merano er udstyret med WTB Byway 650b (47-584). Dæktrykket er specificeret af producenten til min. 35 psi til maks. 50 psi. Sørg for at ventilstammen sidder korrekt i fælgen. Den skal være mere eller mindre på linje med egerne. Den kan blive revet af, hvis den ikke er korrekt placeret. Hvis du bruger andre dæk, skal du sørge for, at fælge og dæk er kompatible, og at det maksimalt tilladte lufttryk for fælge og dæk ikke overskrides.
- Smør kæden med passende kædeolie (se afsnittet: Smøring). Kontrollér kædespændingen mindst en gang om måneden (se afsnittet: Justering af kædespænding). Kontrollér for slitage ved hjælp af en kædemåler, eller få din Coboc-forhandler til at bedømme slitage på din kæde.
- Kontrollér hjulet for lejeslør en gang årligt. Udskift hjullejet, hvis fælgen bevæger sig, selvom dækket er fastspændt til rammen. Det samme gør sig gældende, hvis hjulet ikke kører jævnt uden glidende bremses. Kontakt din Coboc-forhandler i dette tilfælde.
- Kontrollér pedalerne for lejeslør en gang om måneden ved at forsøge at flytte dem hen over pedalakserne. Du skal udskifte lejerne, hvis du kan flytte pedalerne fra side til side. Kontakt din Coboc-forhandler i dette tilfælde.
- Ca. en gang om måneden kontrolleres det, om skruerne på kranken er ordentligt fastspændte. Benyt hertil en momentnøgle. Se afsnittet: Moment (torque Nm).
- Ca. en gang om måneden kontrolleres hjulenes egerspænding. For at gøre dette skal du blot trykke to tilstødende eger sammen med en hånd. På denne måde finder du ud af, om en af egerne er mere løs end andre. Hvis dette er tilfældet, skal du kontakte din Coboc-forhandler.
- En gang om måneden kontrolleres fælgene. Sørg for at de ikke slår. Få dem kontrolleret af din Coboc-forhandler, hvis de ikke længere kører jævnt.
- En gang om måneden kontrolleres skruen på styrets frempind. Kontrollér også headset-topskruen. Brug en momentnøgle til dette.
- Giv dig tid til at inspicere styret for skader så som buler, skævheder, ridser eller huller. I tvivlstilfælde eller efter ca. tre år anbefaler vi, at styret udskiftes af din Coboc-forhandler.
- Ca. en gang om måneden kontrolleres det, om der findes lejeslør i headset-styrfittings. Se afsnittet: Justering af Headset-styrfittings.
- En gang om måneden kontrolleres det, om hjulene er ordentligt fastspændte. Brug en momentnøgle.
- Kontrollér motorkablet for synlige kontakter eller andre skader. Et beskadiget motorkabel kan føre til elektriske stød og forårsage alvorlige kvæstelser. I tilfælde af defekter, bedes du kontakte din Coboc-forhandler.
- Du bør kun benytte den integrerede for- og baglygte. Hvis lygterne viser tegn på skade eller ikke fungerer korrekt, skal du kontakte din Coboc-forhandler.



- Udskift kun komponenterne på din Coboc-cykel med originale dele eller dele godkendt af Coboc. Garantien bortfalder, hvis der anvendes uoriginale dele. Producenten, distributøren og forhandleren kan ikke holdes ansvarlige for evt. skader, der opstår grundet anvendelse af uoriginale dele.



**ADVARSEL:** Din cykel er, ligesom alle mekaniske komponenter, udsat for hyppig brug samt slitage. Forskellige materialer og komponenter kan reagere forskelligt på slitage og anvendelse. Hvis en komponent bruges i længere tid end den beregnede brugsperiode, kan dette føre til pludselige svigt og personskaade. Enhver form for revne, slitage eller farveændring på disse brugsdele indikerer, at brugsperioden er udløbet. Den tilsvarende komponent skal derfor straks udskiftes.

## Sliddele

Følgende sliddele bør kontrolleres regelmæssigt:

- Dæk og slanger
- Kæde, eger og klinge
- Bremseklodser
- Bremsekiver
- Kuglelejer
- Sadel og greb

Kontroller at alle skruer og møtrikker er ordentligt fastspændte. Se afsnittet: Moment (torque Nm).

## Smøring

For at sikre effektiv funktion og en lang levetid kræver visse dele regelmæssig rengøring og smøring. Olier, fedt og andre smøremidler SKAL holdes væk fra fælge, bremser, bremseklodser og bremsekiver.



**ADVARSEL:** Kulstofkomponenterne må under ingen omstændigheder samles med fedt eller andre smøremidler, da dette kan mindske friktionen mellem dem og derfor føre til materialeskader grundet højere moment. Benyt kun en velegnet monteringspasta, når du samler kulstofkomponenter. Det øger friktionen mellem komponenterne, og forhindrer derved materielle skader.

Dele, der skal smøres	Hvornår skal de smøres	Hvilken type smøring
Kæde	Efter rengøring, efter cykelture i regn, efter ca. 300 km	Kædeolie
Gearkabler	Ved nedsat funktion eller ca. en gang årligt	Silikonfrit fedt
Alu-sadelpind på alu-ramme	Under samling	Monteringsfedt
Bagskifter	Ved nedsat funktion eller ca. en gang årligt	Sprayolie

## Vedligeholdelse

### Reparation af punktering

Udskiftning af dæk efter punktering adskiller sig ikke meget fra dækskift på traditionelle cykler. Kun det bagerste hjul har brug for særlig opmærksomhed, ved montering/afmontering. Denne anvisning forudsætter et godt kendskab til reparationer / dækskifte.

Hvis dette ikke er tilfældet for dig, skal du kontakte din lokale Coboc-forhandler.



**ADVARSEL:** Sluk for din Coboc-cykel ("Bike Off") og lygterne! Forud for alt vedligeholdelses- eller reparationsarbejde, skal du sørge for, at din Coboc-cykel er slukket. Fare for strømførende dele samt at motoren starter uventet i løbet af reparationen. Fare for personskader.

### Afmontering af baghjul

- Skift til det højeste gear på det laveste tandhjul. Bagskifteren har et låsesystem, der muliggør afmonteringen af baghjulet. Tryk blot håndtaget fremad, og tryk på låseknappen (1). Håndtaget skal nu låse på plads, og der bør ikke være nogen spænding på kæden længere.
- Frakobl motorstikket (2), og frigør kabelholderen i motorens retning (3).
- Fjern plastikhætterne (4) på akselmøtrikkerne.
- Løsn akselmøtrikken med en gaffelnøgle (18 mm). Pas på, at baghjulet ikke ukontrolleret falder ud af plads, så snart du har løsnet skruerne.
- Du kan nu afmontere baghjulet helt.
- Udskiftning af dækket sker nu på samme måde som på en traditionel cykel.



## Montering af baghjul

Montering af baghjulet sker i den omvendte rækkefølge for afmontering. Følgende punkter bør tages i betragtning:



**FORSIGTIG:** Torque-support (afstandsskiven) skal geninstalleres langs baghjulet. Afstandsskiven skal placeres, så den takkede del vender ind mod dropout. Tappen på skiven vender derved ud mod den åbne del. At glemme eller helt at undlade at geninstallere afstandsskiven kan forårsage, at motoren drejer bagaksen, hvilket kan medføre alvorlig skade eller styrt.

Spænd hjulmøtrikkerne ordentligt. Se afsnittet: Moment (torque Nm). Løse hjul er til stor fare for både dig og cyklen.



**ADVARSEL:** Glem ikke at låse op for låsesystemet på bagskifteren ved at skubbe håndtaget let fremad og derefter frigøre det bagud igen. Ellers er der ikke tilstrækkelig spænding på kæden, hvilket kan resultere i styrt.

## Justering af bremsesystemet

En betydelig forudsætning for en sikker kørsel er en korrekt justering af bremserne. Kør aldrig på din Coboc-cykel, hvis bremserne ikke fungerer eller ikke er korrekt indstillede. Hvis du ikke selv besidder de nødvendige kvalifikationer til at justere dine bremsesystemer, bedes du kontakte din Coboc-forhandler.

### Test af bremsesystemet

Skub din Coboc-cykel fremad, mens du trækker bagbremsen. Hvis alt er korrekt justeret, skal baghjulet blokeres. Hvis du bruger forbremsen, skal dit baghjul løfte sig over jorden. Der må ikke være slør i styret. Håndbremsene skal blot trækkes halvvejs i denne test.

### Kontrol af bremsekaliber

Du kan minimere eller klare en slibning af bremseklodserne gennem en

tilpasning af bremsekaliberen. Hvis bremseklodserne deformeres grundet ekstern påvirkning, skal bremseklodserne udskiftes. Kontakt din lokale Coboc-forhandler.

Du kan justere bremsekaliberen ved at løsne begge skrue (6). Åbningerne i kaliberen tillader en justering af bremseklodserne på rammen eller via monteringsadapteren på gaffelen. Sørg for, at hjulet er installeret i den rigtige position inden justeringen foretages.

Nu kan kaliberen justeres, så den løber centreret mellem begge bremseklodser, uden at have direkte kontakt med dem. Sørg for, at kaliberen ikke flytter sig, når den skrues fast igen.

Alternativt kan du justere bremsekaliberen over bremseklodserne ved at trække i håndbremsen. Bremsecylinderstemplet kommer herved i kontakt med skiven via bremseklodserne og justerer den løst spændte bremsekaliber i midten over bremseklodserne. Mens håndbremsen er trukket, skal du nu stramme skrue (6) igen og sørg for, at kaliberen ikke flytter sig.

Husk passende moment (se afsnittet: Moment), når skrue (6) strammes.



**ADVARSEL:** En forkeret strammet bremsekaliber kan føre til et fuldstændigt stop i bremsesystemet. Fare for person- og/eller produktskade. Hvis du er i tvivl om funktion og/eller montering af dit bremsesystem, må cyklen ikke anvendes førend, den er kontrolleret af en Coboc-forhandler eller aut. fagmand.



## Vedligeholdelse

### Kontrol af bremseklodser

Bremseklodserne er sliddele på din Coboc-cykel. Derfor skal du regelmæssigt kontrollere dem for slitage. Anvend udelukkende originale dele til udskiftning af friktionskomponenter. Ellers kan bremsefunktionen blive påvirket, og der opstår fare for skader. Anvend udelukkende monteringsbremseklodser til fælgene/skivebremssystemet for at garantere den ønskede bremseeffekt.



**ADVARSEL:** Få aldrig olie eller fedt på bremseklodser, bremseklodser eller fælgbremser, da dette reducerer bremseeffekten. Sørg for at skifte friktionskomponenterne, hvis dette er tilfældet.

Skivebremser: Slitage på skivebremserne ses normalt kun, når bremsekaliberen er afmonteret. Herved kan du bedømme, hvor meget af bremseklodsen, der er tilbage på støttepladen. Bremseklodserne skal udskiftes, hvis de er mindre end 0,5 mm tykke. Da dette er en sikkerhedsrelevant komponent, bør udskiftningen ske hos din lokale cykelhandler.



**ADVARSEL:** Rør aldrig ved en roterende bremseklods. Fare for personskaade. Grundet hyppig brug kan både bremseklods og kaliber blive meget varme. Sørg for at alle dele er tilstrækkeligt afkølede inden berøring. For yderligere information bedes du kontakte din lokale Coboc-forhandler eller besøge bremseproducentens hjemmeside.

### Kontrol af fælg

Kontroller fælgene regelmæssigt - især i begyndelsen af en sæson. Kontroller både indersiden (under fælgtaffen) samt ydersiden for mulig materialetræthed og slitage, såsom revner, deformationer, afskalning etc.

Hvis fælgene er deformerede grundet hårde påvirkninger, skal den/de omgående udskiftes. Undlades dette, kan det føre til alvorlige skader grundet egerespænding og egerbeskadigelse.

### Gearsystem



**ADVARSEL:** Fare for person- og/eller produktskade i tilfælde af ukorrekt justering eller udtjente gearkomponenter.

Sørg for, at gearsystemet kontrolleres af en aut. fagmand for mulig justering eller udskiftning. Kontakt din lokale Coboc-forhandler, hvis nogle af følgende problemer opstår:

- Kæden takker over eller falder ud af klingen
- Enkeltkædede led, klinge eller tandhjul er udtjente eller defekte
- Gearskifte fungerer ikke korrekt
- Bagskifteren eller andre gearkomponenter er defekte eller løse
- Usædvanlig støj under kørsel eller gearskifte

Ændring i indstillingerne for spænding eller begrænsningsskruer i gearsystemet skal gøres i meget små trin og med stor forsigtighed. Forkert justering kan føre til, at kæden hopper af. Fare for person- og/eller produktskade. I tvivlstilfælde skal du kontakte din lokale Coboc-forhandler og få ham til at justere det for dig.

## Justering af gearsystemet

Den rette spænding for gearkabler: Skift til det højeste gear på det laveste tandhjul. Skub nu den store gearsifter til den første udløser, mens du bevæger kranken for at få kæden til at springe fra det lave tandhjul. Hvis kæden overhovedet ikke bevæger sig eller ikke springer hele vejen op, skal spændingen på gearkablet øges.

Løsn justeringsskruen (1) mod uret. Sørg for at justeringsskruen aldrig skrues helt af gearsifteren.

Hvis kæden med det samme springer til tredje laveste tandhjul, skal spændingen på gearkablet reduceres. Stram justeringsskruen let (1) med uret.

For et rent og støjsvagt kædeløb, skal det øverste tandhjul køre jævnt igennem klingerne i en imaginær lodret linje langs forskifteren med alle gear (se den røde linje på figuren til venstre), idet kæden uvilligt kan skifte til et andet gear på køreturen.

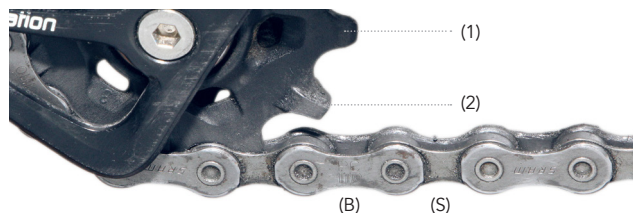
For en optimal gearfunktion skal du sørge for at alle strømførende komponenter er ordentligt smurte. Hvis kædeløbet producerer støj i nogle af tandhjulene, kan dette være tegn på en defekt. Kontakt din lokale Coboc-forhandler i alle tvivlstilfælde.



## Vedligeholdelse

### SRAM X-SYNC drivsystem

Det mekaniske drivsystem på din TEN Merano-cykel er baseret på SRAM X-SYNC™-teknologi. Denne teknologi giver muligheden for et perfekt løb gennem klinger og bagskifteren.



Klinge og bagskifter består af tænder, der varierer i bredde. Den brede tand (1) passer nøjagtigt i den brede del (B) i kædeleddet. Den smalle tand (2) passer nøjagtigt ind i den smalle del (S) i kædeleddet. Dette giver mulighed for et perfekt kædeløb, og kæden kan ikke falde af.



**ADVARSEL:** Hvis kæden ikke er på det rigtige sted på klinger, glider den igennem, hvis den skubbes ind i pedalerne.



**ADVARSEL:** Hvis kæden ikke befinder sig på det rigtige sted på bagskifteren, fungerer gearskiftet ikke korrekt, og en raslende lyd høres. Fare for person- og/eller produktskade.

### Kontrol/justering af headset-styrfittingslejer

Kontroller sløret på styrfittingslejerne. For at gøre det, skal du samtidigt trække begge håndbremsen helt i bund, mens du skubber cyklen frem og tilbage et par gange. Styret skal være i stand til at kunne bevæge sig en anelse fra venstre til højre, men lejesløret skal forblive på et minimum. Hvis der er et for stort lejeslør, løsnes de to skruer (2) igen. Spænd langsomt skruen (3), indtil lejet ikke længere har for stort lejeslør. Spænd derefter skruerne (2) igen.



**BEMÆRK:** Overspænd ikke skruen (3), da dette kan beskadige styrfittingslejerne. Hvis det kun er styret, der drejer, kan det betyde, at skruen (3) er strammet for meget. Hvis dette er årsagen, løsnes skruerne (2), hvorefter skruen (3) løsnes en anelse. Spænd derefter skruerne (2) igen.



Coboc beskæftiger sig konstant med fremtiden inden for elcykler. Dette resulterer i intelligente produkter, der realiserer tekniske fremskridt.

Med Coboc-appen får du endnu flere funktioner tilgængelig.

Du kan downloade Coboc-appen gratis via App Store eller Google Play.

Da vi konstant forbedrer og udvider appen, kan du finde flere oplysninger på

[www.coboc.biz/en/the-coboc-app/](http://www.coboc.biz/en/the-coboc-app/)



**FORSIGTIG:** Desværre kan vi ikke garantere, at appen fungerer på alle smartphones. Bemærk, at kontinuerlig brug af GPS i baggrunden kan reducere batteriets levetid væsentligt.



**FORSIGTIG:** Mobiltelefonen kan være monteret på styret, når den bruges som navigationsenhed. Men du skal stoppe cyklen helt, hvis du skal betjene appen eller på anden vis bruge telefonen.

Inden du bruger Coboc-appen på offentlige veje, skal du rådføre dig med gældende love og regler.

Generelt er brugen af mobiltelefoner på cykler forbudt.

Softwaren til din Coboc-cykel indeholder en intern fejlfinding. Hvis der er fejl i elektronikken, afbrydes drivsystemet automatisk, og fejlen indikeres med blinkende LED-indikatorer på cyklens top tube. I alt er der fire fejkoder med følgende betydning:

1 LED-indikator blinker blåt	Batteriniveaueet er lavt. Oplad batteriet.
2 LED-indikatorer blinker rødt	Sluk, og tænd for din Coboc-cykel igen. Hvis fejlen opstår gentagne gange, skal du kontakte din Coboc-forhandler.
3 LED-indikatorer blinker rødt	Fejl i den nederste beslagsensor. Kontakt din Coboc-forhandler.
4 LED-indikatorer blinker rødt	Fejl i forbindelseskablet til motoren. Kontroller motorens stikforbindelse. Sluk din Coboc-cykel, og frakobl stikforbindelsen. Kontroller den for defekter eller fugt. Et mangelfuld stik skal repareres af din Coboc-forhandler eller aut. fagmand.  Tør delene grundigt, hvis der er trængt fugt ind i stikket. Saml og monter delene igen. Tænd din Coboc-cykel. Hvis fejlen opstår gentagne gange, skal du kontakte din Coboc-forhandler.  Kontroller motorkablet for skader. Hvis motorkablet er beskadiget, må cyklen ikke tændes. Åbne kontakter kan forårsage elektrisk stød. Kontakt øjeblikkeligt din Coboc-forhandler.

## Moment (torque Nm)

Kategori	Spænding / skrue	Værktøj	Moment Nm
Forhjul	Akselbolte	Unbrako 6 mm	8 Nm
Baghjul	Akselbolte	Gaffelnøgle 18 mm	25 Nm
Styr og frempind	Frempind (justeringsskrue)	Unbrako 5 mm	5,2 Nm
Styr og frempind	Frempind (justeringsskrue, styr)	Unbrako 4 mm	5,2 Nm
Styr og frempind	Top cap	Unbrako 5 mm	0,5-1 Nm
Styr og frempind	Håndbremser (justeringsskrue)	Unbrako 5 mm	6-8 Nm
Bremsesystem	Kaliber	Unbrako 5 mm	5-7 Nm
Sadel	Sadelskrue	Unbrako 5 mm	9 Nm
Sadel	Sadelpind (justeringsskrue)	Unbrako 4 mm	5 Nm
Mekanisk drivsystem	Klinge	Unbrako 5 mm	12 Nm
Mekanisk drivsystem	Kranksæt	Unbrako 8 mm	40 Nm
Mekanisk drivsystem	Bagskifter	Unbrako 5 mm	10 Nm
Løse dele	Pedaler	Unbrako 6 mm	35 Nm
Løse dele	Støtteben	Unbrako 5 mm	6 Nm
Forskærm	Forgaffel-dropout	Unbrako 3 mm	2-2,5 Nm
Forskærm	Forgaffel-top	Unbrako 4 mm / gaffelnøgle 10 mm	4 Nm
Bagskærm	Tilbehør til ramme og taskeholdere	Unbrako 3 mm	2-2,5 Nm
Taskeholder	Bagstager	Unbrako 4 mm	4 Nm
Taskeholder	Dropout	Unbrako 4 mm	4 Nm



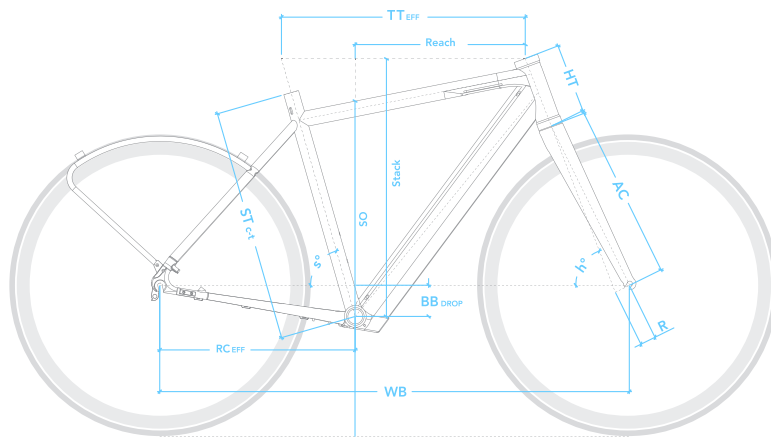
## Tekniske specifikationer

65

Ramme	6000er Aluminium, indvendige kabler
Farve	Free Blue, metallic
Størrelser	S, M, L, XL
Taskeholder	Coboc integreret sideophæng, aftageligt
Skærm	Curana C-Lite, 55 mm
Gaffel	Carbon, straight design
Headset	Acros 3x forsejlet
Batteri	Li-Ion, 36V, 380 Wh
Opladning	2 timer
Rækkevidde	70-100 km
E-drive	250 W / maks. 500 W
Forlygte	Supernova E-Bike Mini 2

Baglygte	Coboc Design, LED integreret i rammen
Gear	SRAM GX, 1x11
Kassette	Sunrace CSMX8 11-gear, 11-42
Kranksæt / Klinge	Andel / 40T, narrow-wide, integreret kædeskærm
Bremser	TRP TDK128, Hydrauliske skivebremser, 160 mm
Sadel	Selle Royal Essenza Athletic
Sadelpind	Aluminium, 27.2 mm x 350 mm
Fælge	Alexrims Volar 23 (650B)
Hjul	WTB Byway 650B (47x584)
Pedaler	Coboc URB, CNC Aluminium
Vægt	16 kg

## Rammegeometri



SIZE	STc-t	TTEFF	HT	h°	s°	R	AC	RCEFF	WB	BBdrop	Reach	Stack	SO
S	498	529	145	69,5	75	45	407	444	1060	72	376	569	732
M	530	557	165	70	74	45	407	444	1075	70	389	588	760
L	560	596	185	71	73,5	45	407	444	1099	70	416	611	788
XL	590	635	205	71,5	73	45	407	444	1127	70	442	632	814

**STc-t** seat tube length center to top

**SO** standover height

**TTEFF** effective top tube length

**HT** head tube length

**BBdrop** bottom bracket drop

**RCEFF** chain stay length

**WB** wheelbase

**h°** head tube angle

**s°** seat tube angle

**R** rake

**AC** fork length

**Stack** vertical length BB to top of HT

**Reach** horizontal length BB to top of HT

**Anbefalet rammestørrelse**, Str. **S** = 158 – 170 cm, Str. **M** = 168 – 180 cm, Str. **L** = 178 – 190 cm, Str. **XL** = 188 – 200 cm

## Generelle betingelser for reklamationsret for Coboc GmbH & Co. KGs købere/slutforbrugere (herefter kaldet "kunden").

Alle brugs- og sikkerhedsanvisninger i denne brugsanvisning skal overholdes for at kunne sikre optimal køreglæde samt mange års levetid på cyklen. At følge anvisningerne er en forudsætning for gyldigheden på reklamationsretten og dennes betingelser. Vi anbefaler, at du registrerer dit produkt inden for 14 dage på [www.coboc.biz/en/warranty/](http://www.coboc.biz/en/warranty/).

Claims for defects against the contractual partner of Coboc GmbH & Co. KG remain unaffected.

Krav om mangler mod Coboc GmbH & Co. KGs samarbejdspartnere forbliver upåvirket.

Inden for nedenstående reklamationsretsperiode garanterer Coboc GmbH & Co. KG den komplette funktionalitet:

Ramme	5 år
Motor og motorkontrolsystem	2 år
Batteri (defekt ved kapacitetstab > 40 %)	2 år Maks. 1000 opladninger
Oplader	2 år

I forbindelse med en garantidækket service forbeholder Coboc GmbH & Co. KG sig retten til at levere eller montere andre, men tilsvarende dele, når der udskiftes komponenter.

Betingelsen for garantikrav begynder ved dokumenteret købsdato.

For at kræve garantirettigheder skal det pågældende produkt leveres tilbage til en kvalificeret Coboc-forhandler eller Coboc (Heidelberg, Tyskland).

Hvis der foretages uautoriserede ændringer på drivsystem, motor eller software bortfalder alle garantiforpligtelser fra Coboc GmbH & Co KG. Dette gælder ikke for udskiftning af dele under garanti eller softwareopdateringer med den originale Coboc-firmware udført af kvalificerede Coboc-distributionspartnere.

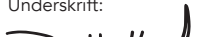
Producentens garanti dækker ikke democykler, testcykler og/eller brugte produkter udsat for slitage inden kundens køb.

Vi påtager os ingen garanti for fejl, der skyldes forkert opbevaring. Især påpeger vi, at opladningsniveauet for lithium-ion genopladelige batterier i vores ebikes skal kontrolleres regelmæssigt, og at de genopladelige batterier muligvis skal oplades. Detaljer om dette emne findes i brugsanvisningen.

## Service

Du kan købe originale reservedele, også selvom reklamationsfristen er udløbet. For rekvirering af service og reservedele i Danmark kontaktes den butik, hvor elcyklen er købt. Anmeldelse af reklamation kan også ske på [www.witt.dk](http://www.witt.dk) under fanen 'Service' og skemaet "Ebikes"

## Overensstemmelseserklæring

Producenten	Coboc GmbH & Co. KG Kurfürstenanlage 58 69115 Heidelberg Tyskland Tel: +49 (0) 6221 435 28 10
Bekræftelse for produkterne:	TEN Merano
Produktionsår:	2021
Overensstemmelse med alle relevante bestemmelser i direktiverne:	- (2006/42/EG) Maskiner - (2004/108/EG) Elektromagnetisk kompatibilitet
Følgende harmoniserede standarder er blevet anvendt:	Cykler med elektrisk hjælpemotor- EPAC-Cykler; Tysk version EN15194: 2017
Teknisk dokumentation:	Coboc GmbH & Co. KG Kurfürstenanlage 58 69115 Heidelberg Tyskland Tel: +49 ( 0 ) 6221 435 28 10
David Horsch (Executive Director)	Underskrift: 

**Coboc GmbH & Co. KG**

Kurfürstenanlage 58  
69115 Heidelberg  
Tyskland  
Tel: +49 (0) 6221 435 28 10

[www.coboc.biz](http://www.coboc.biz)



**Gratulerer med din nye Coboc ebike.**

**TEN Merano**

## Velkommen til Coboc

Vårt brand står for bærekraftig design og maksimal funksjonalitet. Vi har ikke noe mot å være utradisjonelle, så lenge våre kunder er glade og fornøyde med våre ebikes.

Det er viktig at du leser hele bruksanvisningen, før du tar dine nye Coboc-sykkel i bruk. Bruksanvisningen inneholder viktig informasjon som er relevant for din sikkerhet. Manglende overholdelse av sikkerhetsforanstaltningene kan føre til alvorlige ulykker samt person- og/eller produktskader.

Sørg for at hele bruksanvisningen er lest gjennom og forstått av alle som bruker, reparerer, tar service eller gjenvinner din Coboc-sykkel.

Hvis du har spørsmål angående bruken etter å ha lest bruksanvisningen, bes du kontakte din lokale Coboc-forhandler. Denne bruksanvisning er en viktig del av din Coboc-sykkel, og utelukkende gjeldende for din sykkel.

Sørg for å oppbevare bruksanvisningen et sikkert sted.

Sørg for at du er kjent med gjeldende lover, før du bruker din Coboc-sykkel på offentlige gater. Innholdet i denne bruksanvisningen kan endres uten varsel.

Finn flere opplysninger på: [www.coboc.biz](http://www.coboc.biz)

Vi ønsker deg en fantastisk, elektrisk opplevelse.

Coboc-teamet.





Oversikt over TEN Merano .....	Side 74	Vedlikehold .....	Side 87
Sikkerhetsanvisninger .....	Side 75	<ul style="list-style-type: none"> <li>• Rengjøring og vedlikehold</li> <li>• Sikkerhetsanvisninger, karbonkomponenter</li> <li>• Spesialegenskaper for karbonkomponenter</li> <li>• Vedlikehold av karbonkomponenter</li> <li>• Service</li> <li>• Reservedeler</li> <li>• Smøring</li> <li>• Reparasjon av punktering</li> <li>• Montering/avmontering av bakhjulet</li> <li>• Justering av bremses</li> <li>• Test av bremses</li> <li>• Justering av bremsekaliber</li> <li>• Kontroll av bremsekaliber</li> <li>• Test av bremseklosser</li> <li>• Kontroll av felger</li> <li>• Gearsystem</li> <li>• Justering av gearskifte</li> <li>• SRAM X-SYNC drivsystem</li> <li>• Justering av headset</li> </ul>	
Quick start guide .....	Side 76		
Løvgivning .....	Side 78		
Bruksområde .....	Side 79		
<ul style="list-style-type: none"> <li>• Maksimal belastning på din Coboc-sykel</li> <li>• Veskeholdere</li> <li>• Sykkelhenger</li> <li>• Barnesete</li> </ul>			
Før hver sykkeltur .....	Side 80		
Før bruk .....	Side 81		
<ul style="list-style-type: none"> <li>• Bruk av Coboc E-Drive-systemet</li> <li>• Lykter</li> <li>• Slik brukes bremsene</li> <li>• Assistansenivå</li> <li>• To forskjellige kjøremodus</li> <li>• Gearskifte</li> </ul>			
Batteri og lader .....	Side 84		
<ul style="list-style-type: none"> <li>• Rekkevidde</li> <li>• Lade batteriet</li> <li>• Oppbevaring</li> <li>• Transport</li> <li>• Gjenvinning</li> </ul>			
		Coboc-app .....	Side 97
		Feilkoder .....	Side 97
		Moment (torque Nm) .....	Side 98
		Tekniske spesifikasjoner .....	Side 99
		Rammegeometri .....	Side 100
		Garanti .....	Side 101
		Service .....	Side 101
		Overensstemmelseserklæring .....	Side 102

## Oversikt over TEN Merano



Brukerinterfase  
med power-knapp, Bluetooth og opladerport

Top Tube

Integret baklygt

Motor

Gearsystem (11 gear)

Motorkabel

Styre

Grep med håndbrems og gearsifter

Forlykt

Headset

Coboc e-drive  
integret i rammen

Bundbeslag  
med torquesensor

Pedal

Det er viktig at du leser hele bruksanvisningen, før du tar din nye Coboc-sykkel i bruk. Bruksanvisningen inneholder viktig informasjon som er relevant for din sikkerhet.

Manglende overholdelse av sikkerhetsforanstaltningene kan føre til alvorlige ulykker samt person- og/eller produktskader. Hvis du låner bort din sykkel, må du forsikre deg om at personen som låner den, også har lest og forstått bruksanvisningen, før de tar sykkelen i bruk. Bruksanvisningen skal oppbevares et sikkert sted, og alltid være lett tilgjengelig.

Kjør forsvarlig – syklistene er kontinuerlig utsatt for økede farer, spesielt på offentlige veier. Vi anbefaler at du alltid bruker sykkelhjelme. Sykkelhjelmene skal justeres korrekt, så den passer perfekt til ditt hode. Følg sykkelhjelmprodusentens instruksjoner.

Du bør ta på deg lyse klær med reflekser, så du er synlig i trafikken. Sørg for at dine bukser ikke er for løse, da de kan feste seg i sykkelen. Bruk sykkelklips om nødvendig. Fare for person- og/eller produktskade hvis klærne dine setter seg fast i sykkelen.

Ta høyde for den økede ytelsen. På grunn av den elektriske motoren i din Coboc-sykkel, er ytelsen betydelig høyere enn på tradisjonelle sykler. Det betyr bl.a. at de høyere topphastighetene kan nås, men at det samtidig overføres et større dreiemoment til bakhjulet. Dette kan føre til at hjulene sklir ut, spesielt på vått underlag.

Venn deg til din Coboc-sykkel. Coboc-sykkelens spesielle egenskaper krever, at du gjør deg kjent med dem på sikre og åpne områder med god plass. Bruk først din Coboc-sykkel på offentlige veier, når du har full kontroll over den.

Symbolforklaring: for forbedret lesbarhet, inneholder bruksanvisningen symbolene nedenfor:



INFO: Dette symbolet fremhever viktig informasjon samt gode råd.



FORSIGTIG: Dette symbolet advarer deg mot feil bruk, som kan føre til miljøforurensning, skade på din Coboc-sykkel eller annen materiell skade.



ADVARSEL: Dette symbolet angir mulig helsefare og/eller livsfare, grunnet feil betjening av sykkelen.

## Quick start guide

### Hva er i kassen?

- TEN Merano
- Lader
- Coboc URB-Pedaler
- Unbrakonøkkel
- Bruksanvisning
- Reflekssett inkl. ringeklokke

### MONTERING

Coboc-sykkelen er nesten komplett montert på leveringstidspunktet. Styret og pedalene er løse. Det er derfor meget viktig, at du leser bruksanvisningen før første gangs bruk. Vær særlig oppmerksom på sikkerhetsanvisningene og avsnittet:

#### Kontroll av dekktrykket

Kontroller dekktrykket før starten av hver sykkeltur. Det er angitt på siden av hjulet og kan variere avhengig av hjulmodell.



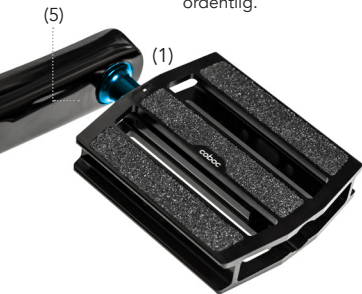
**ADVARSEL:** Dekktrykket må aldri falle til under 35 psi. Fare for produktskade.

#### Montering av pedaler

Smør begge pedalgjengene (5), før pedalene skrues på.



**ADVARSEL:** Begge pedaler har forskjellige gjenger og skal skrues på, på den tilsluttede siden. Høyre pedal har gjenge på høyre side, mens venstre pedal har gjenge på venstre side. Fare for produktskade hvis pedalene monteres på feil side. Sørg for at begge pedaler strammes ordentlig.



#### Justering av sykkelstyret og gaffelen

Løsne begge skruene (1) med den medfølgende unbrakonøkkelen. Juster styret, så gaffelen og forhjulet er på linje med hverandre. Stram skruene (1) igjen. Løsne deretter de fire skruene på gaffelen (3). Vri styret i den ønskede kjørestillingen og stram deretter skruene. Sørg for at de fire skruene (3) strammes like mye.

#### Justering av håndbremsen

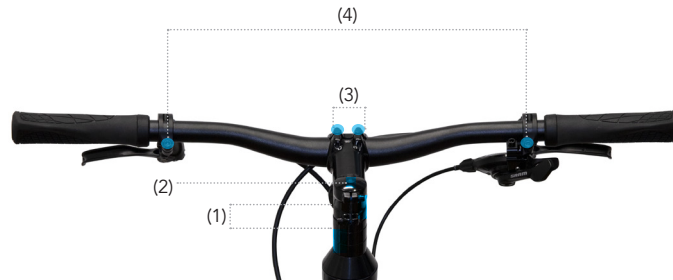
Løsne justeringsskruene (4), og juster håndbremsen etter din foretrukne grepsposisjon. Det skal være behagelig og sikkert på samme tid. Stram deretter justeringsskruene (4) igjen.

#### Kontroll/justering af headset-styrfittingslejer

Kontroller slarket på styrelagrene. For å gjøre det, skal du samtidig trekke begge håndbremsene helt i bunn, mens du dytter sykkel frem og tilbake et par ganger. Styret skal være i stand til å kunne bevege seg litt fra venstre til høyre, men slarket på lagrene skal forbli på et minimum. Hvis det er et for stort slark, løsnes de to skruene (1) igjen. Stram langsomt skruen (2), inntil lagrene ikke lenger har for stort slark. Stram deretter skruene (1) igjen.



**MERK:** Ikke stram skruene for mye (2), da dette kan skade lagrene. Hvis det kun er styret som vrir, kan det bety at skruen (2) er strammet for mye. Hvis dette er årsaken, løsnes skruene (1), hvoretter skruen (2) løsnes litt. Stram deretter skruene (1) igjen.



## COBOC E-DRIVE-SYSTEMET



Din sykkel slås på/av

Trykk kort på power-knappen (7) på sykkelens brukerinterface, som er plassert på undersiden av sykkelens top tube for å aktivere Coboc e-drive-systemet. På LED-displayet (6) lyser min. en LED for å indikere batterinivået på din Coboc-sykkel. Jo mere du trår på pedalene, jo mere assistanse yter sykkelens. Slutten du å trå på pedalene, stopper motorassistansen tilsvarende.



**ADVARSEL:** På grunn av den elektriske assistansen, vil du være mye raskere og mere dynamisk på veien, enn det du ellers er vant til på tradisjonelle sykler. Vi anbefaler derfor at du tar deg god tid til å venne deg til denne nye kjørestilen.

Batterinivå – antall tente LED-indikatorer

- 5 LED-indikatorer lyser blått – 80 – 100 % batterinivå
- 4 LED-indikatorer lyser blått – 60 – 80 % batterinivå
- 3 LED-indikatorer lyser blått – 40 – 60 % batterinivå
- 2 LED-indikatorer lyser blått – 40 – 20 % batterinivå
- 1 LED-indikator lyser blått – 1 – 20 % batterinivå

Feilkoder – blinkende LED-indikatorer

- 4 LED-indikatorer lyser rødt – motorkabelfeil
- 3 LED-indikatorer lyser rødt – Torquesensorfeil
- 2 LED-indikatorer lyser rødt – Øvrige feil
- 1 LED-indikator lyser blått – Lavt batterinivå

Lyset slås på/av

Din Coboc-sykkel er utstyrt med lykter. Du kan dem av og på ved å holde power-knappen (7) nede i 3 sekunder. Dette er også mulig, når Coboc e-drive-systemet er slukket.

## KJØRING

Din Coboc-sykkel går som en tradisjonell sykkel - bare mere dynamisk. Jo mere du trår i pedalene, jo mere assistanse yter sykkelens. Stopper du med å trå på pedalene, stopper motorassistansen tilsvarende.



**ADVARSEL:** Du blir mye mere dynamisk med din Coboc-sykkel, enn du er vant til. Vi anbefaler derfor at du tar deg god tid til å venne deg til denne nye kjørestilen.



**INFO:** Hvis du fornemmer at motorassistansen stopper for tidlig eller for sent, ved meget lavt eller meget høyt trykk på pedalene, må du være oppmerksom på at du alltid kan kalibrere torquesensoren igjen. Besøk <https://support.coboc.biz/> eller kontakt din lokale sykkelhandler.



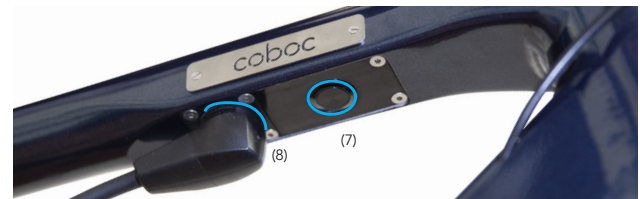
**INFO:** Ved uregelmessigheter under drift eller andre feil, kan du forsøke å nullstille systemet. For å gjøre dette må du trykke på power-knappen (7) i ca. 20 sekunder. Din sykkel bekrefter nullstillingen ved at LED-ene kortvarig blinker blått, og deretter lyser grønt.

## Lading

Ladeporten (8) er plassert rett bak power-knappen (7) på sykkelens brukerinterface. Koble til den magnetiske laderen for å begynne ladingen av din Coboc-sykkel.

En full lading av batteriet fra 1 % til 100 % tar normalt 2½ time med den vanlige Coboc 4A-laderen. Batteriet er allerede ladet til 90 % etter to timer, hvilket betyr at ladetiden for de siste 10 % tar litt lengre tid (en halv time).

Den ideelle utetemperaturen til batterilading ligger mellom +5 °C og +35 °C. Ved temperaturer på 0 °C og under samt +40 °C og over deaktiveres ladingen for å beskytte batteriet.



## Lovgivning

Du må alltid overholde gjeldende lover og regler, når du sykler på din Coboc-sykkel. Nedenfor vises kun et utdrag, og du bør derfor selv sette deg helt inn i gjeldende lover og regler. Sørg for kontinuerlig å holde deg oppdatert, da det kan komme endringer i lovgivningen.

Innen EU hører elsykler med motorassistanse på opptil 25 km/t og motor med kontinuerlig ytelse på 250 watt inn under de samme reglene som tradisjonelle sykler. Sykler med pedalassistanse, som kan nå høyere topphastigheter og/eller høyere motorytelse, er i henhold til EU-direktiv 2002/24/EG, kalt mopeder med begrenset yteevne. Slike kjøretøy krever en typegodkjenning, slik som plikt til å bruke hjelm og en forsikringsforpliktelse.

Coboc-sykler leveres med en topphastighet på 25 km/t og en motorytelse på 250 watt som standard, hvorfor de i henhold til EU-direktiv 2002/24 / EG er unntatt fra typegodkjenning.

Ifølge Statens Vegvesen er følgende utstyr på sykkelen lovpliktig i Norge.

### Lys

Når det er mørkt, tåke eller vanskelig å se på grunn av f.eks. regn eller sludd, må du ha lys på sykkelen. Sykkellyktene skal kunne ses tydelig på minst 300 meters avstand og også være synlige fra siden.

Forlykten skal lyse hvitt eller gult. Baklykten rød. Hvide og røde lykter kan gjerne blinke – med minst 120 blink i minuttet. Gule forlykter skal lyse konstant.

Kontroller jevnlig lyktene og skift batteriet, når lyset begynner å bli svakt. Lyktene skal være på fra solen går ned, til den står opp.

### Reflekser

Din sykkel skal kunne ses fra alle vinkler i mørke.

Den skal ha en hvit refleks, som er synlig forfra, en rød refleks, som er synlig bakfra, og to gule reflekser på hver pedal.

I hvert hjul skal det være en gul refleks i eikene eller hvite reflekterende dekk - eller felgsider.

Husk å rengjøre refleksene et par ganger i året, så de reflekterer så godt som mulig.

Skift refleksene, hvis de går i stykker.

### Ringeklokke

Din ringeklokke skal lyde klart og tydelig. Den skal sitte på styret, og du må ikke erstatte den med et horn eller annet som avgir lyd.

Andre trafikanter skal kunne gjenkjenne ringesignalet.

### Bremser

Sykkel skal ha minst to separate bremses, som er slik at bremsingen kan kontrolleres og sykkelen kunne stanses på sikker, effektiv og hurtig måte. Den ene bremsen skal virke på forhjulet og den andre på bakhjulet.

Kontroller jevnlig om bremsene virker som de skal, eller om det er på tide å skifte, stramme eller smøre kablene.

Ansvar for overholdelse af trafikikkerheden for din Coboc-cykel ligger hos dig.

## Maksimal belastning på din Coboc-sykkel

Overbelast ikke din Coboc-sykkel. Den tillatte samlede belastningen må aldri overskrides. Se tabellen nedenfor for maksimal belastning, som inkluderer førerens, sykkelens og bagasjens vekt.

Maks. totalvekt	Sykkelvekt	Maks. ryttervekt	Maks. vekt / veskeholder	Maks. totalvekt på henger
140 kg	16 kg	120 kg	10 kg + 10 kg	50 kg

Coboc-sykkelen er utstyrt med avtakbare veskeholdere og skjerm. Merk: Maks. belastning på 10 kg på begge sider. Den samlede maksimale belastningen må fremdeles ikke overskrides. Kontroller regelmessig at monteringskruene til skjermene og veskeholderne er strammet godt.



**ADVARSEL:** Kjør aldri mere enn en person på sykkelen av gangen. Din Coboc-sykkel er utelukkende designet til transport av en person. Unntak: Hvis du har barn med på sykkelen, enten i barnesete eller sykkelhenger. Vær oppmerksom på gjeldende lover og regler samt maks. tillatt belastning på Coboc-sykkelen.

## Sykkelhenger

Coboc-sykkelen kan dra en ett- eller toseters sykkelhenger. Den skal monteres på KSA18 bakstag på sykkelrammen vha. en Weber EU-kobling (1) og må ikke overstige en totalvekt på 50 kg. Den tillatte totalvekten på sykkelen din må ikke overskrides selv med en henger og personbelastning. For ytterligere informasjon, kontaktes din Coboc-forhandler. Merk: Montering av henger skal alltid utføres av en aut. fagperson.

## Barnesete

Coboc-sykkelen er velegnet til montering av barnesete med et holderbeslag på seterøret (f.eks. Römer Jockey). Bruk kun testede og godkjente barneseter med denne type festeanordning. For mer informasjon, kontakt din Coboc-forhandler. Merk: Montering av barnesete skal alltid utføres av en aut. fagperson.



**ADVARSEL:** Barn som sitter i et barnesete skal alltid ha på seg en egnet sykkelhjelme. Det må aldri sitte et barn i barnesetet hvis sykkelen står parkert. Fare for at sykkelen velter og forårsaker person- og/eller produktskade.



**ADVARSEL:** Coboc-sykkelen er ikke beregnet til å bli utsatt for ekstreme situasjoner som å kjøre ned trapper eller opp ramper.

Hvis din Coboc-sykkel er utstyrt i henhold til lovgivningen, kan den brukes på offentlige veier. Se avsnittet: Lovgivning.

Bemerk også at overholdelse av drifts- og vedlikeholdsanvisningene i denne bruksanvisning utgjør en viktig del av den tilsluttede bruken av Coboc-sykkelen.



**ADVARSEL:** Din Coboc-sykkel er ikke en leke. La ikke barn håndtere din Coboc-sykkel uten klare instruksjoner om bruken og etterlat dem aldri uten oppsyn, når de er i nærheten av sykkelen. Du bør orientere barn om farene som er knyttet til bruk av elektroniske produkter. Følg gjeldende minimumsalder for bruk av elektroniske produkter.

## Før hver sykkeltur



**INFO:** Lydnivået ved førerens øre overstiger ikke 70 dB(A).

Coboc samt dennes distributører og forhandlere påtar seg intet ansvar for annen bruk enn den tilsktede, og kan ikke holdes ansvarlig for person- og/eller produktskader som oppstår på grunn a manglende overholdelse av sikkerhetsanvisningene i denne bruksanvisningen.

Sørg for at din Coboc-sykkel er klar til drift, og at den er tilpasset din kroppshøyde. Setehøyde og styrets posisjon skal justeres korrekt. Ditt sete skal stilles inn til en behagelig og sikker høyde.



**ADVARSEL:** Valg av en rammestørrelse som ikke passer til din høyde, eller manglende vedlikehold/tilpasning kan føre til tap av kontroll og velt. Fare for alvorlige person- og/eller produktskader. Hvis du har problemer med å velge den riktige rammestørrelsen, eller er usikker på hvordan Coboc-sykkel tilpasses korrekt til deg, bes du kontakte din lokale Coboc-forhandler.

### Setejustering



**ADVARSEL:** Setet må aldri settes høyere enn til markeringen på setepinnen. Fare for velt og person- og/eller produktskade, hvis setet heves til opp over markeringen. Garantien på din Coboc-sykkel bortfaller, hvis setet justeres til over maks. høyde. Produsenten/distributøren/forhandleren kan ikke holdes ansvarlige for person- og/eller produktskader, hvis anvisningen ikke følges.

Du kan plassere setet ditt i tre forskjellige posisjoner. Etter justering skal du sørge for at skruene under setet og ved setepinnen er ordentlig festet. Sett deg på setet og sett den ene foten på pedalen, mens du plasserer den andre foten på bakken. Bruk så hælen til forsiktig å trå på pedalen, inntil kranken er på linje med setepinnen. Hvis du står på pedalen, men benet ditt ikke er helt utstrakt, er seteinnstillingen for lav. Omvendt, hvis du må strekke deg for å nå pedalen, eller må skyve bekket fremover, er seteinnstillingen for høy. Hvis det er nødvendig, kan du løse skruen på setepinnen, og justere setet til korrekt høyde. Skru så til skruen igjen.

Sørg for at setet er på linje med sykkelens topptube. Løsne seteskruen hvis nødvendig, og beveg setet til høyre eller venstre. Stram skruen igjen. Det er også mulig å justere setets helling i forhold til sykkelens topptube. Løsne seteskruen, juster og trekk til skruen igjen.



**ADVARSEL:** Husk det tillatte momentet (torque Nm) for alle disse trinnene. Se avsnittet: Moment (torque Nm) og sørg for at alle skruer strammes, før du juster setet eller bruker din Coboc-sykkel.

### Regelmessig kontroll av sykkel

Kontroller at lyktene på din Coboc-sykkel fungerer.

Du skal være i stand til å nå begge håndbremsene uten problemer. Sørg også for å vite hvilken håndbrems som hører til hvilken bremse. Som standard hører høyre håndbrems til bakkbremsen, og venstre håndbrems til forbremsen. Merk at bremselengden økes, og at hjulene kan blokkeres raskere, hvis underlaget er vått.

Sørg for at skruene til setet, styret og bremser er strammet korrekt. Se avsnittet: Moment (torque Nm). I tvilstilfelle kan du prøve å vri setet, styret eller bremserne. Ingen av disse skal kunne bevege seg. Sørg også for regelmessig å kontrollere alle andre skruer, og sørg for at de er strammet korrekt. Sørg for at rammen og gaffelen ikke er skadet.

Kontroller regelmessig for slitasje på friksjonskomponenter inne i bremsene. Se avsnittet: Vedlikehold.

### Test av bremsesystemet

Dytt din Coboc-sykkel forover, mens du trekker bakkbremsen. Hvis alt er korrekt justert, skal bakhjulet blokkeres. Hvis du bruker forbremsen, skal ditt bakhjul løfte seg over bakken. Det må ikke være slark i styret. Håndbremsene skal kun trekkes halvveis i denne testen.



## Kontroll av hjulene

Kontroller hjulene og dekktrykket! Undersøk hjul og felger for slitasje, skader, revner, skjevheter eller mindre objekter, som kan være trykket inn i hjulene (f.eks. glassfragmenter). Vi anbefaler deg å bruke en passende sykkelpumpe med innbygget trykkmåler. Det optimale dekktrykket er angitt på siden av hjulet og kan variere i henhold til hjulmodellen. I tvilstilfelle, eller hvis du bruker andre komponenter enn dem som medfølger som standard, henvises du til hjulprodusenten for rette dekktrykk.

Hvis dekktrykket er for lavt, er det en økt risiko for punktering. Dette kan dessuten gi varige skader på felgene.



**ADVARSEL:** Hvis du er usikker på om din Coboc-sykkel er i teknisk sikker stand, bør du ikke bruke den. Kontakt i stedet din lokale Coboc-forhandler eller en servicepartner og få dem til å kontrollere sykkelens stand, før du sykler på den igjen.



**ADVARSEL:** Dekktrykket må aldri falle til under 35 psi. Fare for produktskade.

Hvis du bruker din Coboc-sykkel mye, må du sørge for at sykkelens regelmessig blir kontrollert. Se avsnittet: *Vedlikehold*.



**INFO:** Før du sykler, skal du sørge for at batterinivået er tilstrekkelig høyt til den påtenkte kjøreturen. Se avsnittet: Batterinivå.

Vi antar at du som Coboc-syklist har tilstrekkelig grunnleggende sykkelkunnskap fra tradisjonelle sykler. Hvis dette ikke er tilfellet, anbefaler vi først å trene på en sykkel uten motorassistanse. På grunn av den sterke akselerasjonen og den ekte maksimale hastigheten anbefales det at du er en habil syklist, før du bruker en elsykkel.

Venn deg først til din Coboc-sykkel. De spesielle kjøreegenskapene for Coboc-sykler krever at du gjør deg kjent med dem i forskjellig terreng. Sørg for at du har full kontroll over sykkelens, før du tar den i bruk på offentlige veger.

## Betjening av Coboc e-drive-systemet

Coboc-sykkelens har to driftsinnstillinger:

"Bike Off" / manuell kjøring uten motorassistanse: Du kan bruke din Coboc-sykkel som en tradisjonell sykkel uten motorassistanse. De fem LED-indikatorene på sykkelens topptube er slukket. Når sykkelens ikke brukes og under oppbevaring, skal din Coboc-sykkel være stilt inn på: "Bike Off".

"Bike On" / kjøring med motorassistanse: Trykk på power-knappen for å aktivere motorassistansen. Når de fem LED-indikatorene lyser, er motorassistansen aktivert. Når assistansen er aktivert, indikerer LED-indikatorene batterinivået. Maks. hastighet med assistanse er 25 km/t.

## Motorassistansen slås av

Trykk på power-knappen. Bemerk: din Coboc-sykkel slås automatisk av etter tre minutters ineffektivitet.

## Før bruk

### Bruk av lyktene

Coboc-sykkelen er utstyrt med et integrert lyktesystem som også betjenes med power-knappen. Lyset tennes/slukkes ved å holde power-knappen nede i tre sekunder. Lyset kan både brukes i «Bike On»- og «Bike Off»-innstillingene og slukkes automatisk når sykkelen har vært inaktiv i mer enn fire minutter.

Merk: Lyset kan brukes i opptil to timer etter batteriets utlading.



## Gjør deg kjent med bremsesystemet

Sørg for å vite hvilken håndbrems som hører til hvilken brems. Som standard hører høyre håndbrems til bakbremsen, og venstre håndbrems til forbremsen. Kontroller regelmessig for slitasje på friksjonskomponenter inne i bremsene. Se avsnittet: Vedlikehold.

Det er viktig at du kontrollerer, om det er tegn på slitasje på dine felgbremseklosser. Sørg også for å kontrollere bremseskoenes bremsklosser for slitasje. Se avsnittet: Vedlikehold. Risiko for svikt i bremsesystemet, hvis det er tegn på stor slitasje på disse komponentene. Fare for alvorlig person- og/eller produktskade.



**ADVARSEL:** Bruk dine bremsers på en kontrollert og tidsbegrenset måte. For voldsom oppbremsing kan blokkere hjulene, og forårsake velt. Fare for alvor person- og/eller produktskade.

## Hydrauliske skivebremser

Unngå å bruke bremsene kontinuerlig, hvis du i lengere tid kjører i nedover bakke. Dette kan forårsake dampbobledannelse og derfor føre til at du taper kontrollen over sykkelen. Fare for alvorlig person- og/eller produktskade. Forsøk derfor med jevne mellomrom å løsne bremsene helt eller å skifte mellom for- og bakbremsene. På den måten kan bremsesystemet kjøles ned. Ta om nødvendig en kort pause for å avkjøle det. Kontroller alltid bremsepunktet, før du kjører. Hvis du er i stand til å trekke håndbremsene helt tilbake til styret, eller hvis bremsepunktet endres mens du kjører, bør du ikke bruke sykkelen. La i stedet din Coboc-forhandler kontrollere dine bremses, før du sykler videre.

## Motorassistanse nivå

Nivået av motorassistanse tilpasser seg til din kjøreadferd. Jo hardere du trår på pedalene, jo høyere omdreiningmoment er det på motoren. Dette eliminerer behovet for valg av assistanse. Du kan likevel gjøre en finjustering av Coboc e-drive-systemet via Coboc-appen. Merk, at vi forårsaker at du bruker Coboc-appen, mens du sykler. Se avsnittet *Coboc-app*.

## To forskjellige kjøremodus

Siden lanseringen av firmware-versjonen 3.34 kan du nå velge mellom to forskjellige kjøremodus. Du får tilgang til dem enten via vår Coboc-app eller power-knappen på sykkelen.

Kjøreinstillingene for begge kjøremodus kan justeres individuelt og lagres, også selv om sykkelen og telefonen ikke er koblet sammen.

Du kan velge mellom de to kjøremodusene ved å dobbeltrykke på power-knappen. Displayet bekrefter valget ved at fargen på LED-displayet skifter fra blått til grønt. Du kan også skifte mellom de to kjøremodusene via Coboc-appen.



**ADVARSEL:** Trakk først på pedalene, når du sitter sikkert på din Coboc-sykel. Så snart trykket påføres pedalene, aktiveres motorassistanse. Hvis du ikke vil sitte på sykkelen før start, men ønsker å sette en fot på pedalen, mens du svinger benet over setet, skal du være oppmerksom på at sykkelen plutselig kan begynne å bevege seg. Risiko for personskaade!

Stopp i tide med å trække i pedalene. Motorassistanse stoppes, så snart kranken slutter å gå rundt. Vær særlig oppmerksom på dette ved vegkryss og svinger. Hvis du har problemer (f.eks. fordi du ikke stoppet å trække på pedalene i tide), kan du alltid stoppe motoren ved hjelp av bakhjulsbremsen.

### Gearskift

Din Coboc-sykel er utstyrt med innvendig SRAM GX-gearsystem med 7 gear. Gearskifteren er plassert på styrets høyre side, og tilkoblet den bakerste derailleuren, som er installert på bakhjulet.

Begge gearskiftene (A) og (B) aktiveres ved å trekke i håndtakene. De returnerer automatisk til utgangsposisjonen etter aktivering. Ved skifte til høyere gear kan gearskifteren (B) også betjenes med pekefingeren foran styret.

Sørg for å trække på pedalene, mens du skifter gear. Merk: Trakk ikke baklengs på pedalene under gearskift, da dette kan skade gearsystemet.

Reduser trykket på pedalene under gearskifte. På den måten skifte du raskt og uanstrengt mellom gearene, samtidig som du reduserer slitasjen på kjede og tannhjul.



**ADVARSEL:** Gearskifte ved maksimal vekt kan forårsake skade på kjedet. Fare for person- og/eller produktskade.

### Skifte til lavere gear

For å skifte til et lavere gear, trykker du på gearskifteren (A), inntil den klikker. For å skifte flere gear av gangen skal du trykke på skifteren, inntil den klikker gjentatte ganger. Du kan maksimalt skifte fem gear på én gang.

### Skifte til høyere gear

For å skifte til et høyere gear, trykker du på gearskifteren (B), inntil den klikker. Alternativt kan du trykke gearskifteren (B) tilbake med pekefingeren. Merk: Du kan kun skifte et gear av gangen. Trykk derfor flere ganger på skifteren, hvis du skal skifte mellom flere gear.

For ytterligere informasjon om montering og funksjonen av SRAM GX-gearsystemet; besøk Cobocs hjemmeside eller kontakt din lokale Coboc-forhandler.



Din Coboc-sykel er utstyrt med et moderne litium-ion-batteri. Denne batteritypen er den mest avanserte energikilde som gir maksimal rekkevidde ved minimum vekt. Utover det har litium-ion-batterier ingen hukommelseffekt. Dette batteri har en nominell spenning på 36 volt og en nominell kapasitet på 380 Wh.



**INFO:** Batteriet på din Coboc-sykel er installert i rammen, som muliggjør en meget lav vekt på kjøretøyet samt optimal fuktighetsbeskyttelse. Batteriet står i rammen også under lading. Kun en autorisert fagperson skal demontere batteriet.



**ADVARSEL:** Forsøk ikke selv å demontere batteriet! Dekselet er plassert på undersiden av sykkelens under-rør og må under ingen omstendigheter åpnes. Det er utelukkende autoriserte fagpersoner som skal utføre reparasjoner på drivsystemet. Fare for alvorlig personskade eller livsfare grunnet strømførende deler! Drivsystemet er ytterligere beskyttet mod fuktighet via en spesiell tette teknologi. Hvis dekslet åpnes uten godkjenning fra Coboc, bortfaller garantien øyeblikkelig. Hverken Coboc, distributøren, eller forhandleren kan holdes ansvarlige for de person- og/ eller produktskader som kan oppstå hvis anvisningene ikke følges.

## Rekkevidde

Rekkevidden på Coboc-sykkelen avhenger av forskjellige faktorer og kan derfor variere. Her gjelder bl.a.: overflatetype, skråninger, vindforhold, dekkegenskaper, lufttrykk, ryttervekt, tråkkfrekvens (kadens), kjørehastighet og temperatur. Valg av kjøremodus påvirker i tillegg rekkevidden for Coboc-sykkelen. Opplysninger om Coboc-appen og innstillingen av de enkelte kjøremodusene finnes her: [www.coboc.biz/en/the-coboc-app](http://www.coboc.biz/en/the-coboc-app)

Med et fulladet batteri i jevnt terreng og i kjøremodus 1 (LED-indikatoren lyser blått) vil rekkevidden variere mellom 70-100 km. Hvis du kjører på asfalt med et lavt dekktrykk, økes rullemotstanden, og dermed reduseres rekkevidden. Motvind og/eller kupert terreng vil også ha en negativ innvirkning på rekkevidden. Avhengig av kjøreinstillingen i valgte kjøremodus, kan motorassistansen økes. Hvis dette gjøres, reduseres rekkevidden. En høy samlet vekt reduserer rekkevidden ytterligere. Hvis du kjører over 25 km/t, deaktiveres motorassistansen, og sykkel fungerer som en tradisjonell sykkel. Dette forlenger den resterende rekkevidden.

På varme dager (batteri temperatur på opp mot 60 °C) kutter batteriet automatisk, dette av sikkerhetsmessige årsaker. Deretter skal det kjøles av, før det kan brukes igjen. Hvis din sykkel ikke slås på eller blir ladet i mere enn 30 dager, går den automatisk i en dvaletilstand for å spare strøm på batteriet. Sykkelen kan ikke startes når den er i dvale. Lade enheten må tilkobles for å aktivere sykkel om den er i dvale.

Batterinivået vises på sykkelens brukerinterface. Opp til fem LED-indikatorer lyser, når Coboc-sykkelen er slått på:

- 5 LED-indikatorer lyser blått – 80 – 100 % batterinivå
- 4 LED-indikatorer lyser blått – 60 – 80 % batterinivå
- 3 LED-indikatorer lyser blått – 40 – 60 % batterinivå
- 2 LED-indikatorer lyser blått – 40 – 20 % batterinivå
- 1 LED-indikator lyser blått – 1 – 20 % batterinivå



**INFO:** Hvis mere enn en LED-indikator lyser rødt, indikerer dette en feil på drivsystemet. Se avsnittet: Feilkoder for ytterligere informasjon.

## Lading av batteriet

Den ideelle utetemperatur for batterilading ligger mellom +5 °C og +35 °C. Ved temperaturer på 0 °C og under samt +40 °C og over, deaktiveres ladingen for å beskytte batteriet.



**MERK:** Unngå å bruke andre ladeenheter enn den som medfølger produktet. Moderne litium-ion-batterier krever originale ladeenheter. Fare for brann og/eller eksplosjon.



**ADVARSEL:** Sørg for å sjekke lade enheten for eventuell ekstern skade. Benytt aldri en defekt lad

Ladeporten er plassert på undersiden av sykkelens over-rør. Det er kun en måte å tilkoble pluggen. Ladeporten og pluggen er magnetiske og forblir tilkoblet om de er korrekt tilkoblet.

## Batteri & lader

Lad kun batteriet på tørre og godt ventilerte steder, da ladeenheten ikke må utsettes for regn, vann eller fukt. Sørg for at der ikke er brannfarlige objekter i nærheten, når du lader din sykkel. Oppbevar alltid ladeenheten på et sikkert sted så den ikke skades.



**ADVARSEL:** Benytt ladeenheten kun innendørs. Se ytterligere tips anvist direkte på ladeenheten og les medfølgende bruksanvisning.

For å lade batteriet, skal du sette støpselet i en passende stikkontakt og koble ladeenheten til din Coboc-sykkel. Sørg for at tilkoblingsverdiene oppfyller landets lover og regler. Den medfølgende ladeenheten er designet til: 220V og 240V.

Lading begynner, så snart ladeenheten er tilkoblet og din Coboc-sykkel slås av. Du kan ikke slå på din Coboc-sykkel, mens du lader den.

LED-indikatorene slås nå på etter hverandre for å indikere pågående lading. Når din Coboc-sykkel er fullt oppladet, slukkes den automatisk. Ladeenheten viser når batteriet er fullt oppladet.

En full-lading av batteriet fra 1 % til 100 % tar normalt 2½ timer med den vanlige Coboc 4A-laderen. Batteriet allerede ladet til 90 % etter to timer, som betyr at lade tiden for de siste 10 % tar litt lengre tid (en halv time).

Du kan holde din Coboc-sykkel tilkoblet til lade enheten selv etter ladingen er avsluttet. Batteriet over-lades ikke. Vi anbefaler likevel at du tar pluggen ut av din Coboc-sykkel og stikkkontakten av sikkerhetsmessige årsaker.

Sørg for at din Coboc-sykkel og litium-ion-batteri er dekket av din forsikring. Hold deg kontinuerlig oppdatert med hensyn til gjeldende lover og regler.

### Oppbevaring



**ADVARSEL:** Hvis sykkelen din ikke skal brukes over en lengre periode, må du sørge for at batteriet er fulladet. Hvis batteriet ble ladet helt opp før oppbevaring, skal det lades på nytt etter senest åtte måneder. Sykkelen må ikke settes til oppbevaring med et komplett utladet batteri. Produsenten/distributøren kan ikke holdes ansvarlig for de skader som kan oppstå hvis batteriet ikke blir ladet under oppbevaring eller blir satt til oppbevaring med et utladet batteri.

Ved konstant lading reduseres batteriets levetid raskere. Ved komplett utlading kan batteriet skades/ødelegges permanent. Vi anbefaler derfor å lade sykkelen helt før den settes til oppbevaring, fjern laderen og oppbevare den kjølig i temperaturer på ca. 15 °C.

Litium-ion-batterier lades automatisk ut over tid. For å spare energi, går sykkelen automatisk i dvale. Lad opp batteriet etter senest åtte måneder.

Sykkelen bør ikke oppbevares permanent ved temperaturer over 20 °C. Litium-ion-batterier lades langsomt ut, også selv om de ikke brukes. For å unngå en fullstendig utlading går din Coboc-sykkel i dvale om den ikke benyttes. Koble til ladeenheten, for å aktivere sykkelen, om den er i dvale.



**ADVARSEL:** Hvis batteriet ikke benyttes over lengre tid, må det ikke være kontinuerlig tilkoblet ladeenheten i løpet av dette tidsrommet. Batteriet mister sin kapasitet raskere om batterinivået konstant er på 100 %. Merk: Manglende overholdelse av lade-prosedyrene kan føre til et skadet eller ubrukelig batteri. Garantien bortfaller øyeblikkelig, hvis lade-prosedyrene ikke følges.

### Transport

Litium-ion-batterier på over 100 Wh er underlagt internasjonal lovgivning om farlig gods. Batteriet, som er installert i din Coboc-sykkel (352 Wh), er klassifisert som gods i fareklasse 9. Derfor skal transport på veg, sjø eller luft godkjennes spesielt på forhånd. Det er obligatorisk å søke rådgivning fra en ekspert på farlig gods.

Husk, at mange transportfirmaer har visse retningslinjer for transport av enheter eller kjøretøy utstyrt med litium-ion-batterier.

### Gjenvinning

Kast ikke din Coboc-sykkel, lader eller dit batteri sammen med husholdningsavfallet.



INFO: Innen EU er man som forbruker forpliktet til å returnere ikke-brukbare batterier. I overensstemmelse med EF-direktiv 2002/66/EF skal defekte og/eller brukte batterier innleveres separat og gjenvinnes på en miljøvennlig måte.

Innlever derfor brukte batterier på den lokale gjenbruksstasjonen. Merk at avmontering av batteriet fra din Coboc-sykkel bør kun utføres av en aut. fagmann.



ADVARSEL: Vedlikehold og reparasjoner på drivsystemet må utelukkende utføres kun en aut. fagmann. Coveret, som er plassert på bunnen av sykkelens down tube, må under ingen omstendigheter åpnes. Fare for alvorlig personskade eller livsfare grunnet strømførende deler. Drivsystemet er dessuten beskyttet mod fukt via en spesiell tetningsteknologi. Hvis coveret åpnes uten godkjenning fra Coboc, bortfaller garantien øyeblikkelig. Hverken Coboc, distributøren eller forhandleren kan holdes ansvarlige for person- og/eller produktskader, som kan oppstå hvis anvisningene ikke overholdes.



ADVARSEL: Slå av din Coboc-sykkel («Bike Off», slukk lyktene hvis disse er tent). Sørg alltid for at din Coboc-sykkel er slått av før du utfører vedlikehold- eller reparasjonsarbeid. Motoren kan plutselig starte, hvis reparasjoner utføres på en påslått Coboc-sykkel med strømførende deler. Fare for alvorlig person- og/eller produktskade.

Fjern ikke det nederste beslaget! Det nederste beslaget på din Coboc-sykkel er utstyrt med en sensor, som er internt forbundet med drivsystemet. Feil avmontering kan forårsake skader på kabler og/eller sensor.

### Rengjøring og vedlikehold

Rengjør din Coboc-sykkel regelmessig. Dette holder ikke kun sykkelen pen, men er viktig for optimal funksjon. Bruk ingen damp- eller høytrykksspylere til rengjøring av sykkelen. Fare for produktskade. Vask den kun for hånd, og snu den aldri på hodet. Elektronikken og kulelagrene er tett forsegle, hvilket gjør regelmessig drift mulig selv på regnværsdager. Rengjøring med høytrykk kan føre til at væske og/eller smuss trenger inn gjennom tetningene og kan skade lager og/eller elektronikk.

Hold alltid kjedet smurt. Dette gjør det mulig med støvsvak drift og minimerer slitasje. Sørg for å bruke passende kjedeolje.

### Sikkerhetsanvisninger, karbonkomponenter

Coboc-sykkelen er utstyrt med en svært lett karbongaffel av høy kvalitet. Denne reduserer vekten og booster designet på sykkelen.



FORSIKTIG: Komponenter fremstilt av komposittmateriale kan bli skadet på steder som som ikke synes ved første øyekast. Fare for person- og/eller produktskade. Derfor skal disse komponentene kontrolleres etter velt/hard fall.

## Vedlikehold

Videre krever karbondeler regelmessige visuelle inspeksjoner. Kontroller om maling, finish eller fibre har løsnet. Kontroller delene for overflateendringer (splinter, hull eller dype riper). Sørg for å kontrollere om komponentene blir mykere eller mindre stive og solide. Hvis dette er tilfelle med en eller flere komponenter, skal disse byttes ut umiddelbart.

### Spesialegenskaper for karbonkomponenter

Karbonforsterket plast er et lett materiale som har svært spesifikke egenskaper. Det er viktig å ha forståelse for disse egenskapene for å sikre feilfri drift samt lang produktlevetid.

Karbon kan brukes til å fremstille svært lette, men samtidig utrolig robuste sykkelkomponenter i høy kvalitet hvis de behandles korrekt.

Ulempen med materialet er imidlertid at mulige skader i noen tilfeller ikke synes ved første øyeblikk, fordi karbonet ikke deformeres ved overbelastning på samme måte som aluminium eller stål. Materialet kan beholde formen selv om den innvendige strukturen er skadet. En skadet struktur påvirker komponentenes stabilitet og kan derfor føre til alvorlige fall eller kvestelser. Hvis du er bekymret for tilstanden til en av karbonkomponentene, skal du kontakte en Coboc-forhandler.



**FORSIKTIG:** Hvis du hører et smell, kan dette indikere en defekt karbonkomponent. Kontroller regelmessig skruetittings på karbonkomponentene for korrekt moment. Hvis det fortsatt høres en smellende lyd, skal du kontakte en Coboc-forhandler. Sykkelen må under ingen omstendigheter brukes med en defekt karbonkomponent.



**FORSIKTIG:** Karbonkomponenter bør aldri varmes opp til høye temperaturer, som ved pulverlakkering eller lakkfinish. Varmen kan skade komponentene. Sørg for at sykkelen ikke oppbevares i et kjøretøy eller på et sted hvor den er utsatt for sterkt sollys.

### Vedlikehold av karbonkomponenter

Karbonkomponentene rengjøres med en myk klut og rent vann. Hvis nødvendig kan du tilsette et nøytralt rengjøringsmiddel (oljebasert).



**FORSIKTIG:** Benytt aldri et avfettingsmiddel som inneholder aceton, metylklorid eller trikloretylen. Kjemiske og/eller ikke-nøytrale rengjøringsmidler som inneholder løsemidler kan angripe overflaten og svekke karbonkomponentene.



**ADVARSEL:** Lette karbondeler kan være spesielt utsatt for slitasje. Følg derfor alltid instruksjonene for anbefalte serviceintervaller. Få karbonkomponentene kontrollert regelmessig for defekter og/eller slitasje av en Coboc-forhandler.



**ADVARSEL:** Karbonkomponenter må aldri smøres. Hvis dette gjøres, kan det trenge inn fett i overflaten, noe som gjør det umulig å oppnå riktig moment (torque). Vi anbefaler å bruke karbonpasta i stedet.



**ADVARSEL:** Kontroller karbonkomponentene for synlige skader, som hakk, buler, revner, misfarging osv. Kontakt en Coboc-forhandler hvis slike defekter oppdages. Unngå å bruke sykkelen inntil den er kontrollert av en aut. fagperson.



## Service

På tross av at moderne teknologi ofte er utstyret med høy yteevne, har den fremdeles bruk for vedlikehold. Derfor skal du sørge for å vedlikeholde din sykkel regelmessig. For å garantere en pålitelig pålitelig funksjon og for å sikre dine garantikrav skal du sørge for at din Coboc-forhandler eller servicepartner utfører årlig service av din sykkel.

Første service av din Coboc-sykkel har spesiell betydning for optimal og pålitelig funksjon. Kabler og eiker kan strekke seg, mens skruer kan løsne. Sørg derfor for å få din sykkel kontrollert av din Coboc-forhandler eller servicepartner etter den første driftsmåneden eller de første 100 kjørte kilometer.

Følgende tabell viser tidsrom, som kan fungere som indikatorer for syklister, som kjører mellom 1500 og 2500 km i året. Å kjøre på dårlige veier, under dårlige værforhold eller hvis man kjører mere enn 2500 kilometer årlig, forkortes tilsvarende serviceintervallet. Hvis du ikke har den tekniske kunnskapen til å vedlikeholde din sykkel, skal du sørge for å få den kontrollert av din Coboc-forhandler eller servicepartner.

## Anbefalte serviceintervaller

Komponent	Aktivitet	Før hver kjøretur	Månedlig	Årlig
Hjul	Kontroller funksjon	x		
	Kontroller fælle		x	
	Kontroller bremseskiver		x	
	Kontroller bremserotorer		x	
	Kontroller eikespenning		x	
	Kontroller generell spænding		x	
Gearskeftene og bremseslange	Visuell kontroll		x	
Dekk	Kontroller dekktrykk	x		
	Kontroller ventil		x	
Kjede	Kontroller smøring	x		
	Kontroller spenning		x	
	Kontroller slitasje		x	
Motorer	Kontroller bærelager			x
Pedaler	Kontroller bærelager		x	
Krank	Kontroller bolter		x	
Styre / stem	Kontroller bolter		x	
	Visuell kontroll			x
Headset-styrfittingslager	Kontroller lagerslark		x	
Skrueforbindelse Hjul	Kontroller / stram etter	x		
Skruer / Muttere	Kontroller / stram etter		x	
Motorkabel	Visuell kontroll		x	
Skjermer	Kontroller / stram etter		x	
Veskeholdere	Kontroller / stram etter		x	
Stotte	Kontroller / stram etter		x	

## Vedlikehold

- Sørg for at dine bremses fungerer korrekt før hver sykkelturn. Begge bremses skal fungere feilfritt og må ikke blokkeres. Du burde ikke være i stand til å trekke bremsehåndtakene helt inn til styret. Sørg for å kontrollere for slitasje på dine bremseklosser, på siden av felgbremser/ skivene på dine skivebremses. Se avsnittet: *Justering av bremses*.
- Sørg for at kontrollere både kabelstrømper og bremsekabler regelmessig, og minst en gang i måneden. Kabelstrømpene bør ikke være skadet, og kabelstrømpene må ikke være defekt. Dette betyr at plastoverflaten på den ytre bremsekabelen ikke må være skadet, og at den innvendige metall-kabelføringen aldri må være ubeskyttet. Sørg for at wirene inne i bremsekablene ikke viser tegn på skader, og at de innvendige wirene løper fritt gjennom kabelstrømpen.
- Sørg for at kontrollere trykket på begge dekk før hver sykkelturn. Det anbefalte dekktrykk avhenger av dekktype og er normalt angitt på dekkets sidevegg. Sørg for at ventilstammen sitter korrekt i felgen. Den skal være mere eller mindre på linje med eikene. Den kan bli revet av, hvis den ikke er korrekt plassert. Din Coboc-sykkel er utstyrt med Schwalbe Kojak 35-622 (28 x 1,35, 700 x 35C) maks. 6,5 bar / Continental Grand Prix Classic 25-622 (700x25C) maks. 8,5 bar / Schwalbe ONE 25-622 (700 / 25C) maks. 9 bar / Schwalbe G-ONE hastighet 50-584 (27,5 x 2,0, 650B) maks. 6 bar / Schwalbe Durano 25-622 (700 / 25C) maks. 9 bar. Hvis du bruker andre dekk, skal du sørge for at felger og dekk er kompatible, og at det maksimalt tillatte lufttrykk for felg og dekk ikke overskrides.
- Smør kjedet med passende kjedeolje (se avsnittet: Smøring). Kontroller kjedespenningen minst en gang i måneden (se avsnittet: Justering av kjedespenning). Kontroller for slitasje ved hjelp av en kjedemåler, eller få din Coboc-forhandler til å bedømme slitasjen på ditt kjede.
- Kontroller hjulet for lager-slark en gang i året. Skift ut hjullageret hvis felgen beveger seg, selv om dekket er fastspent til rammen. Det samme gjelder om hjulet ikke kjører jevnt uten glidende bremses. Kontakt din Coboc-forhandler i slike tilfeller.
- Kontroller pedalene for lagerslark en gang i måneden ved å forsøke å flytte dem over pedalaksene. Du skal skifte lagrene, hvis du kan flytte pedalene fra side til side. Kontakt din Coboc-forhandler i dette tilfelle.
- Ca. en gang om måneden kontrolleres det, om skruene på kranken er ordentlig festet. Bruk en momentnøkkel til dette. Se avsnittet: Moment (torque Nm).
- Ca. en gang i måneden kontrolleres hjulenes eikespenning. For å gjøre dette skal du kun trykke to tilstøtende eiker sammen med en hånd. På denne måten finner du ut om en av eikene er løsere enn andre. Hvis dette er tilfellet, skal du kontakte din Coboc-forhandler.
- En gang i måneden kontrolleres felgene. Sørg for at de ikke slår. Få dem kontrollert av din Coboc-forhandler, hvis de ikke lenger går jevnt.
- En gang i måneden kontrolleres skruen på styrets frempinne. Kontroller også headset-topskruen. Bruk en momentnøkkel til dette.
- Ta deg tid til å inspiserer styret for skader slik som buler, skjevheter, sprekker eller hull i tviilstifelle eller etter ca. tre år anbefaler vi, at styret skiftes av din Coboc-forhandler.
- Ca. en gang i måneden kontrolleres det om det finnes slark i headset-styrfittings. Se avsnittet: Justering av Headset-styrfittings.
- En gang i måneden kontrolleres det om hjulene er skikkelig festet. Bruk en momentnøkkel.
- Kontroller motorkabler for synlige kontakter eller andre skader. En skadet motorkabel kan føre til elektriske støt og forårsake alvorlige personskader. I tilfelle av defekte deler bes du kontakte din Coboc-forhandler.
- Du bør kun benytte den integrerte for- og baklykten. Hvis lyktene viser tegn på skade eller ikke fungerer korrekt, kontakt en Coboc-forhandler.
- Skift kun komponentene på din Coboc-sykkel med originale deler

eller deler godkjent av Coboc. Garantien bortfaller, hvis det brukes uoriginale deler. Produsenten, distributøren og forhandleren kan ikke holdes ansvarlige for evt. skader, som oppstår grunnet bruk av uoriginale deler.



**ADVARSEL:** Din sykkel er, akkurat som alle mekaniske komponenter, utsatt for hyppig bruk samt slitasje. Forskjellige materialer og komponenter kan reagere forskjellig på slitasje og bruk. Hvis en komponent brukes i lengere tid enn den beregnede bruksperioden, kan dette føre til plutselige svikt og personskaade. Enhver form for revne, slitasje eller fargeendring på disse bruksdelene indikerer at bruksperioden er utløpt. Tilsvarende komponent skal derfor straks skiftes.

## Slitedler

Følgende slitedeler bør kontrolleres regelmessig:

- Dekk og slanger
- Kjede, tannhjul og kjedering
- Bremseklosser
- Bremseskiver
- Kulelager
- Sete og grep

Kontroller at alle skruer og muttere er ordentlig festet.  
Se avsnittet: *Moment (torque Nm)*.

## Smøring

For å sikre effektiv funksjon og lang levetid krever visse deler regelmessig rengjøring og smøring. Oljer, fett og andre smøremidler **SKAL** holdes borte fra felger, bremser, bremseklosser og bremseskiver.



**MERK:** Karbonkomponentene må under ingen omstendighet påføres fett eller andre smøremidler, da dette kan minske friksjonen mellom dem og derfor føre til materialskader grunnet høyere moment. Benytt kun en velegnet monteringspasta, når du monterer karbonkomponenter. Det øker friksjonen mellom komponentene, og hindrer derved materielle skader.

Deler som skal smøres	Når skal de smøres	Hvilken type smøring
Kjede	Etter rengjøring, etter sykkelturner i regn, etter ca. 300 km	Kjedeolje
Gearkabler	Ved nedsatt funksjon eller ca. en gang årlig	Silikonfritt fett
Alu-setepinne på alu-ramme	Under montering	Monteringsfett
Bakerste derailleurforbindelser	Ved nedsatt funksjon eller ca. en gang årlig	Sprayolje

## Reparasjon av punktering

Utskifting av dekk etter punktering skiller seg ikke mye fra dekkskift på tradisjonelle sykler. Kun montering/demontering av bakhjulet krever særlig oppmerksomhet. Denne anvisning forutsetter god kjennskap til reparasjoner / dekkskifte.

Hvis dette ikke er tilfellet for deg, skal du kontakte din lokale Coboc-forhandler.



**ADVARSEL:** Slå av din Coboc-sykel ("Bike Off") og lyktene! Før alt vedlikehold- eller reparasjonsarbeid, skal du sørge for at din Coboc-sykel er slått av. Fare for strømførende deler samt at motoren starter uventet i løpet av reparasjonen. Fare for personskader.

## Demontering av bakhjul

- Skift til det høyeste gearet på det laveste tannhjul. Det bakerste derailleur har et låssystem, som muliggjør demontering av bakhjulet. Trykk kun håndtaket forover, og trykk på låseknappen (1). Håndtaket skal nå låse på plass, og det bør ikke være noe spenning på kjedet lengre.
- Frakoble motor-pluggen (2), og frigjør kabelholderen i motorens retning (3).
- Fjern plast hettene (4) på aksel mutterne.
- Løsne aksel mutterne med en fastnøkkel (18 mm). Pass på at bakhjulet ikke ukontrollert faller ut av rammen, så snart du har løsnet skruene.
- Du kan nå demontere bakhjulet helt.
- Utskifting av dekket skjer nå på samme måte som på en vanlig sykkel.



## Montering av bakhjul

Montering av bakhjulet skjer i den omvendte rekkefølge for demontering. Følgende punkter bør tas i betraktning:



**MERK:** Torque-support (avstandsskiven) skal gjeninstalleres langs bakhjulet. Avstandsskiven skal plasseres så den takkede delen vender inn mot dropout. Tappen på skiven vender derved ut mot den åpne delen. Å glemme eller helt å unnlate å gjeninstallere avstandsskiven kan forårsake at motoren dreier bakakselen, hvilket kan medføre alvorlig skade eller velt.

Spenn hjulmutrene skikkelig. Se avsnittet: Moment (torque Nm). Løse hjul er til stor fare for både deg og sykkelen.



**ADVARSEL:** Glem ikke å låse opp for låssystemet på den bakerste derailleur ved å føre håndtaket lett fremover og deretter frigjøre det etterpå igjen. Ellers gir det ikke tilstrekkelig stramming av kjedet, hvilket kan resultere i velt.

## Justering av bremses

En viktig forutsetning for sikker kjøring er korrekt justering av bremsene. Kjør aldri med din Coboc-sykkel, hvis bremsene ikke fungerer eller ikke er korrekt innstilt. Hvis du ikke selv innehar den nødvendige kunnskap for å kunne justere bremsene, bør du kontakte din Coboc- forhandler.

## Test av bremsesystemet

Skv din Coboc-sykkel fremover, mens du holder bakbremsen inne. Hvis alt er korrekt justert, skal bakhjulet låses. Hvis du bruker forbremsen, skal bakhjulet løfte seg over bakken. Det må ikke være antydning til slark i styret. Bremsehendlene skal kun kunne presses halvveis inn i denne testen.

## Kontroll av bremsekaliber

Du kan minimere eller håndtere sliping av bremseklaffen ved å tilpasse bremsekaliberen. Hvis bremseklaffen deformeres på grunn av ekstern påvirkning, skal bremseklaffen skiftes ut. Kontakt din lokale Coboc-forhandler.

Du kan justere bremsekaliberen ved å løsne begge skruene (6). Åpningen i kaliberen muliggjør justering av bremseklaffen på rammen eller via monteringsadapteren på gaffelen. Sørg for at hjulet er montert i riktig posisjon før det foretas en justering.

Nå kan kaliberen justeres slik at den går sentrert mellom begge bremseklaffene, uten å ha direkte kontakt med dem. Sørg for at kaliberen ikke flytter seg når den skrues fast igjen.

Alternativt kan du justere bremsekaliberen over bremseklaffen ved å dra i håndbremsen. Bremseklaffen kommer dermed i kontakt med klaffen via bremseklaffene og justerer den løst spente bremsekaliberen i midten over bremseklaffen. Mens håndbremsen er trukket inn, strammer du nå skruene (6) igjen og sørger for at kaliberen ikke flytter seg. Husk passende moment (se avsnittet: Moment) når skruene (6) strammes.



**ADVARSEL:** Feil strammet bremsekaliber kan føre til fullstendig stopp i bremsesystemet. Fare for person- og/eller produktskade. Hvis du er i tvil om funksjon og/eller montering av bremsesystemet, må ikke sykkelen brukes før den er kontrollert av en Coboc-forhandler eller aut. fagperson.



## Vedlikehold

### Kontroll av bremsesklosser

Bremsesklossene er slitedeler på din Coboc-sykkel. Derfor skal du regelmessig kontrollere dem for slitasje. Bruk utelukkende originale deler til utskifting av friksjons-komponenter. Ellers kan bremssegenskapene påvirkes, og det oppstår fare for skader. Benytt utelukkende originale monterings bremsesklosser til felgene/ skivebremse systemet for å garantere ønsket bremseseffekt.



**ADVARSEL:** Få aldri olje eller fett på bremsesklossene bremseskivene eller felgbremsene, da dette reduserer bremseseffekten. sørg for å skifte ut alle de berørte friksjons komponentene, hvis dette er tilfelle.

**Skivebremseser:** Slitasje på skivebremsene oppdages normalt kun når bremseskaliperen er demontert. Derved kan du bedømme, hvor mye av bremsesklossen, som er tilbake på støtteplaten. Bremsesklossene skal skiftes, hvis de er mindre enn 0,5 mm tykke. Da dette er en sikkerhetskomponent, bør utskiftingen skje hos din lokale sykkelforhandler.



**ADVARSEL:** Rør aldri en roterende bremseskive. Fare for personskaade. Grunnet hyppig bruk kan både bremseskive og kaliper bli veldig varme. Sørg for at alle deler er tilstrekkelig avkjølte innen berøring. For ytterligere informasjon må du kontakte din lokale Coboc-forhandler eller besøke bremsse produsentens hjemmeside.

### Kontroll av felger

Kontroller felgene regelmessig, spesielt i begynnelsen av sesongen. Kontroller både innsiden (under felgtappen) samt yttersiden for mulig materialtretthet og slitasje som revner, deformasjoner, avskalling osv.

Hvis felgene er deformert på grunn av hard påvirkning, skal den/de skiftes omgående. Unnløtelse av dette kan føre til alvorlige skader på grunn av eikespenning og skade på eikene.

### Girsystem (Derailleur)



**ADVARSEL:** Fare for person- og/eller produktskade i tilfelle av ukorrekt justering eller utslitte girkomponenter.

Sørg for at girsystemet kontrolleres av en autorisert fagperson for justering eller utskifting av deler. Kontakt din lokale Coboc-forhandler, hvis noen av de følgende problemer oppstår:

- Kjede klatter oppover eller glipper nedover på kransen (kjedehjul / tannhjul)
- Enkelte kjedeledd, kjedehjul eller tannhjul er utslitte eller defekte
- Girskifteren ikke fungerer korrekt
- Det bakerste derailleur eller andre girkomponenter er defekte eller løse
- Uvanlig støy under kjøring eller girskifte

Endring i justering, stramming, eller justering av bevegelige komponenters funksjonsområde i girsystemet, skal utføres i små trinn og med stor nøyaktighet. Feil justering kan føre til at kjedet hopper av. Fare for person- og/eller produktskade. I tilfelle skal din lokale Coboc-forhandler kontaktes for justering.

## Justering av gearsystemet

For riktig stramming av girkabler: Skift til det høyeste giret på det laveste tannhjulet / kranshjulet. Dytt så den store gearskifteren til den første utløseren, mens du beveger kranken for at få kjedet til å løpe fra det lave tannhjulet. Hvis kjedet overhodet ikke beveger seg eller ikke løper hele veien opp, skal spenningen på gearkabelen økes.

Løsne justeringsskruen (1) mot klokken. Sørg for at justeringsskruen aldri skrues helt av girskifteren.

Hvis kjedet med en gang løper til tredje laveste fra det laveste tannhjul, skal strammingen til girkabelen slakkes. Stram justeringsskruen lett (1) med klokken.

For et rent og støysvakt løp av kjedet, skal det øverste tannhjulet kjøre jevnt gjennom kjedet ringen i en imaginær loddrett linje langs front-skifteren ved alle gir (se den røde linje på figuren til venstre), viktig, da kjedet kan skifte til et annet gir om justeringen ikke er korrekt.

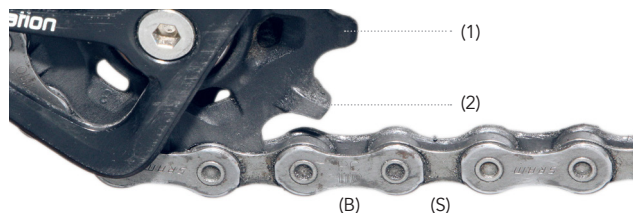
For en optimal girfunksjon skal du sørge for at alle strømførende komponenter er ordentlig smurte. Hvis kjedeløpet produserer støy i noen av tannhjulene, kan dette være tegn på en defekt. Kontakt din lokale Coboc-forhandler i alle tvilstilfeller.



## Vedlikehold

### SRAM X-SYNC drivsystem

Det mekaniske drivsystemet på TEN Merano-sykkelen er basert på SRAM X-SYNC™-teknologi. Denne teknologien gir mulighet for et perfekt løp gjennom klingene og baksifteren.



Klinge og baksifter består av tenner som varierer i bredde. Den brede tannen (1) passer nøyaktig i den brede delen (B) i kjedeledet. Den smale tannen (2) passer nøyaktig inn i den smale delen (S) i kjedeledet. Dette gir mulighet for et perfekt kjedeløp, og kjedet kan ikke falle av.



**ADVARSEL:** Hvis kjedet ikke er på riktig sted i klingene, glir den gjennom hvis den skyves inn i pedalene.



**ADVARSEL:** Hvis kjedet ikke er på riktig sted på baksifteren, fungerer ikke girskiftet korrekt, og det høres en raslende lyd. Fare for person- og/eller produktskade.

### Kontroll/justering av headset styre-fittings lager

Kontroller slarket på styre-fittings lagrene. For å gjøre det, skal du samtidig presse begge håndbremsene i helt inn, mens du skyver sykkelen frem og tilbake et par ganger. Styret skal kunne bevege seg en anelse fra venstre til høyre, men slarket i lageret skal forbli på et minimum. Hvis det er et for stort lager slark, løsnes de to skruene (2) igjen. Stram langsomt skruen (3), inntil lageret ikke lengre har for stort slark. Stram deretter skruene (2) igjen.



**MERK:** Overstram ikke skruen (3), da dette kan skade styre-fittings lagrene. Hvis det kun er styret som beveger seg, kan det bety at skruen (3) er strammet for mye. Hvis dette er årsaken, løsnes skruene (2), hvor etter skruen (3) løsnes en anelse. Stram deretter skruene (2) igjen.





Coboc arbeider konstant med fremtiden innen elsykler. Dette resulterer i intelligente produkter, som realiserer tekniske fremskritt.

Med Coboc-appen får du enda flere funksjoner tilgjengelige.

Du kan downloade Coboc-appen gratis via App Store eller Google Play.

Da vi konstant forbedrer og utvider appen, kan du finne flere opplysninger på: <https://www.coboc.biz/en/the-coboc-app/>



**FORSIKTIG:** Dessverre kan vi ikke garantere at appen fungerer på alle smartphones. Merk at kontinuerlig bruk af GPS i bakgrunnen kan redusere batteriets levetid vesentlig.



**FORSIKTIG:** Mobiltelefonen kan være montert på styret, når den brukes som navigasjonsenhet. Men, du må stoppe sykkelen helt, hvis du skal betjene appen eller på annet vis bruke telefonen.

Før du bruker Coboc-appen på offentlige veier, skal du rådføre deg om gjeldende lover og regler.

Generelt er bruk av mobiltelefoner på sykler forbudt.

Softwaren til din Coboc-sykel inneholder en intern feilsøk. Hvis det er feil i elektronikken, avbrytes drivsystemet automatisk, og feilen indikeres med blinkende LED-indikatorer på sykkelens top tube. I alt er det fire feilkoder med følgende betydning:

En LED-indikator blinker blått	Batterinivået er lavt. Lad batteriet.
To LED-indikatorer blinker rødt	Slå av, og slå på din Coboc-sykel igjen. Hvis feilen oppstår gjentatte ganger, skal du kontakte din Coboc-forhandler.
Tre LED-indikatorer blinker rødt	Feil i den nederste beslag sensor. Kontakt din Coboc-forhandler.
Fire LED-indikatorer blinker rødt	Feil i forbindelse kabelen til motoren. Kontroller motorens el-plugg -kobling. Slå av din Coboc-sykel, og koble fra el-plugg -koblingen. Kontroller den for defekter eller fukt. En mangelfull el-plugg-kobling skal repareres av din Coboc-forhandler eller autorisert fagperson.  Tørk delene grundig, hvis det er kommet fuktighet inn i el-plugg -koblingen. Samle, og monter delene igjen. Start din Coboc-sykel. Hvis feilen oppstår gjentatte ganger, skal du kontakte din Coboc-forhandler.  Kontroller motorkabelen for skader. Hvis motorkabelen er skadet, må sykkelen ikke startes. Åpne kontakter kan forårsake elektrisk støt. Kontakt øyeblikkelig din Coboc- forhandler.

## Moment (torque Nm)

Kategori	Stramming / skrue	Verktøy	Moment Nm
Forhjul	Akselbolter	Unbrako 6 mm	8 Nm
Bakhjul	Akselbolter	Fastnøkkel 18 mm	25 Nm
Styre og frempinne	Frempinne (justeringsskrue)	Unbrako 5 mm	5,2 Nm
Styre og frempinne	Frempinne (justeringsskrue, styre)	Unbrako 4 mm	5,2 Nm
Styre og frempinne	Top cap	Unbrako 5 mm	0,5-1 Nm
Styre og frempinne	Håndbrems (justeringsskrue)	Unbrako 5 mm	6-8 Nm
Bremsesystem	Kaliber	Unbrako 5 mm	5-7 Nm
Sete	Seteskrue	Unbrako 5 mm	9 Nm
Sete	Setepinne (justeringsskrue)	Unbrako 4 mm	5 Nm
Mekanisk drivsystem	Klinge	Unbrako 5 mm	12 Nm
Mekanisk drivsystem	Kranksett	Unbrako 8 mm	40 Nm
Mekanisk drivsystem	Bakskifter	Unbrako 5 mm	10 Nm
Løse deler	Pedaler	Unbrako 6 mm	35 Nm
Løse deler	Støtte	Unbrako 5 mm	6 Nm
Forskjerm	Forgaffel-dropout	Unbrako 3 mm	2-2,5 Nm
Forskjerm	Forgaffel-topp	Unbrako 4 mm / fastnøkkel 10 mm	4 Nm
Bakskjerm	Tilbehør til ramme og veskeholdere	Unbrako 3 mm	2-2,5 Nm
Veskeholder	Bakstag	Unbrako 4 mm	4 Nm
Veskeholder	Dropout	Unbrako 4 mm	4 Nm

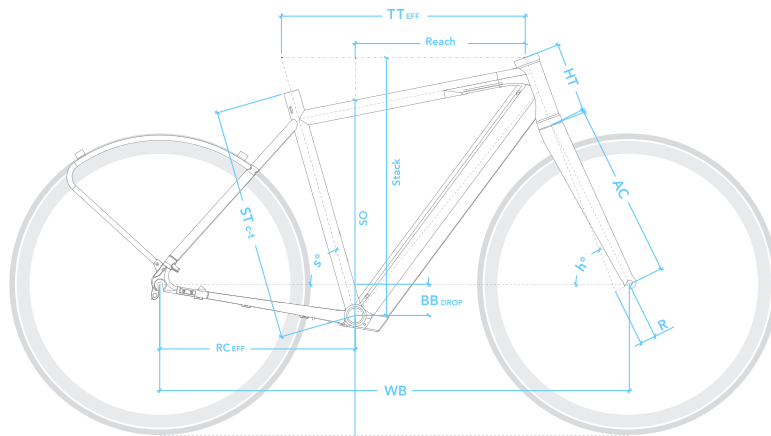
## Tekniske spesifikasjoner

99

Ramme	6000er Aluminium, indvendige kabler
Farge	Free Blue, metallic
Størrelser	S, M, L, XL
Veskeholder	Coboc integrert sideoppheng, avtakbart
Skjermer	Curana C-Lite, 55 mm
Gaffel	Carbon, straight design
Headset	Acros 3x forseglet
Batteri	Li-Ion, 36V, 380 Wh
Lading	2 timer
Rekkevidde	70-100 km
E-drive	250 W / maks. 500 W
Forlykt	Supernova E-Bike Mini 2

Baklykt	Coboc Design, LED integreret i rammen
Gear	SRAM GX, 1x11
Kassette	Sunrace CSMX8 11-gear, 11-42
Kranksæt / Klinge	Andel / 40T, narrow-wide, integreret kjedeskjerm
Bremser	TRP TDK128, Hydrauliske skivebremser, 160 mm
Sete	Selle Royal Essenza Athletic
Setepinne	Aluminium, 27.2 mm x 350 mm
Felger	Alexrims Volar 23 (650B)
Hjul	WTB Byway 650B (47x584)
Pedaler	Coboc URB, CNC Aluminium
Vekt	16 kg

## Rammegeometri



SIZE	STc-t	TTEFF	HT	h°	s°	R	AC	RCEFF	WB	BBdrop	Reach	Stack	SO
S	498	529	145	69,5	75	45	407	444	1060	72	376	569	732
M	530	557	165	70	74	45	407	444	1075	70	389	588	760
L	560	596	185	71	73,5	45	407	444	1099	70	416	611	788
XL	590	635	205	71,5	73	45	407	444	1127	70	442	632	814

**STc-t** seat tube length center to top

**SO** standover height

**TTEFF** effective top tube length

**HT** head tube length

**BBdrop** bottom bracket drop

**RCEFF** chain stay length

**WB** wheelbase

**h°** head tube angle

**s°** seat tube angle

**R** rake

**AC** fork length

**Stack** vertical length BB to top of HT

**Reach** horizontal length BB to top of HT

**Anbefalt rammestørrelse**, Str. **S** = 158 – 170 cm, Str. **M** = 168 – 180 cm, Str. **L** = 178 – 190 cm, Str. **XL** = 188 – 200 cm

Generelle betingelser for reklamasjonsrett for Coboc GmbH & Co. KGs kjøpere/sluttbrukere (heretter kalt «kunden»).

Alle bruks- og sikkerhetsanvisninger i denne bruksanvisningen skal overholdes for å kunne sikre optimal kjøreglede samt mange års levetid på sykkelen. Å følge anvisningene er en forutsetning for gyldigheten av reklamasjonsretten og dennes betingelser. Vi anbefaler at du registrerer ditt produkt innen 14 dager på [www.coboc.biz/en/warranty/](http://www.coboc.biz/en/warranty/).

Krav om mangler mot Coboc GmbH & Co. KGs samarbeidspartnere forblir upåvirket.

Innen reklamasjonsrettsperioden nedenfor, garanterer Coboc GmbH & Co. KG komplett funksjonalitet:

Ramme	5 år
Motor og motorkontrollsystem	2 år
Batteri (defekt ved kapasitetstap > 40 %)	2 år Maks. 1000 opladninger
Lader	2 år

I forbindelse med en garantidekket service, forbeholder Coboc GmbH & Co. KG seg retten til å levere eller montere andre, men tilsvarende deler, når der skiftes komponenter.

Betingelsen for garantikrav begynner ved dokumentert kjøpsdato.

For å kreve garantirettigheter skal det pågjeldende produktet leveres tilbake til en kvalifisert Coboc-forhandler eller Coboc (Heidelberg, Tyskland).

Hvis det foretas uautoriserte endringer på drivsystem, motor eller software bortfaller alle garantiforpliktelser fra Coboc GmbH & Co KG. Dette gjelder ikke for utskifting av deler under garanti eller softwareoppdateringer med den originale Coboc-firmware utført av kvalifiserte Coboc-distribusjonspartnere.

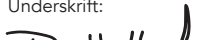
Produsentens garanti dekker ikke demosykler, testsykler og/eller brukte produkter utsatt for slitasje før kundens kjøp.

Vi påtar oss ingen garanti for feil som skyldes feil oppbevaring. Særlig påpeker vi at ladenivået for litium-ion oppladbare batterier i våre ebikes skal kontrolleres regelmessig, og at de oppladbare batteriene muligvis skal lades. Detaljer om dette emnet finnes i bruksanvisningen.

## Service

Du kan kjøpe originale reservedeler, også selv om reklamasjonsfristen er utløpt. For rekvirering av service og reservedeler i Norge, kontaktes den butikken hvor elsykkelen er kjøpt. Melding av reklamasjon kan også gjøres på [www.witt.no](http://www.witt.no) under fanen 'Service' og skjemaet «Ebikes»

## Overensstemmelseserklæring

Produsenten	Coboc GmbH & Co. KG Kurfürstenanlage 58 69115 Heidelberg Tyskland Tel: +49 ( 0 ) 6221 435 28 10
Bekreftelse for produktene:	TEN Merano
Produksjonsår:	2021
Overensstemmelse med alle relevante bestemmelser i direktivene:	- (2006/42/EG) Maskiner - (2004/108/EG) Elektromagnetisk kompatibilitet
Følgende harmoniserte standarder er brukt:	Sykler med elektrisk hjelpemotor- EPAC-sykler; Tysk versjon EN15194: 2017
Teknisk dokumentasjon:	Coboc GmbH & Co. KG Kurfürstenanlage 58 69115 Heidelberg Tyskland Tel: +49 ( 0 ) 6221 435 28 10
David Horsch (Executive Director)	Underskrift: 

**Coboc GmbH & Co. KG**

Kurfürstenanlage 58  
69115 Heidelberg  
Tyskland  
Tel: +49 (0) 6221 435 28 10

[www.coboc.biz](http://www.coboc.biz)

Hej.



**Grattis till din nya Coboc ebike.**

**TEN Merano**

## Välkommen till Coboc

Vårt varumärke står för hållbar design och maximal funktionalitet. Vi har inget emot att vara okonventionella så länge våra kunder är nöjda med våra ebikes.

Det är viktigt, att du läser hela bruksanvisningen, innan du tar din nya Coboc-cykel i bruk. Bruksanvisningen innehåller viktig information som är relevant för din säkerhet. Underlåtenhet att följa säkerhetsföreskrifterna kan leda till allvarliga olyckor samt person- och/eller produktskador.

Var noga med, att läsa igenom hela bruksanvisningen och att alla som använder, reparerar, servar eller kasserar din Coboc-cykel förstår den.

Om du har frågor angående användande efter genomläsningen bruksanvisningen, ber vi dig kontakta din lokala Coboc-återförsäljare. Denna bruksanvisning är en viktig del av din Coboc-cykel. och gäller endast för din cykel.

Spara denna bruksanvisning på en säker plats.

Se till, att du är bekant med gällande lagar, innan du använder din Coboc-cykel på allmänna vägar. Innehållet i denna manual kan ändras utan föregående information.

Du hittar mer information på: [www.coboc.biz](http://www.coboc.biz)

Vi önskar dig en fantastisk elektrisk upplevelse.

Coboc-teamet.



Överblick över TEN Merano .....	Sida 108	Underhåll .....	Sida 121
Säkerhetsanvisningar .....	Sida 109	<ul style="list-style-type: none"> <li>• Rengöring och underhåll</li> <li>• Säkerhetsanvisningar, kolfiberkomponenter</li> <li>• Special features för kolfiberkomponenter</li> <li>• Underhåll av kolkomponenter</li> <li>• Service</li> <li>• Förbrukningsdelar</li> <li>• Smörjning</li> <li>• Reparation av punktering</li> <li>• Montering/demontering av bakhjulet</li> <li>• Justering av bromsar</li> <li>• Test av bromsar</li> <li>• Finjustering av fälgbromsar</li> <li>• Grovjustering av fälgbromsar</li> <li>• Test av bromsklossar</li> <li>• Kontroll av fälg</li> <li>• Derailleur-växelsystem</li> <li>• Justering av växelbyte</li> <li>• SRAM X-SYNC drivsystem</li> <li>• Justering av headset-styrjusteringslager</li> </ul>	
Quick start guide .....	Sida 110		
Lagstiftning .....	Sida 112		
Användningsområde .....	Sida 113		
<ul style="list-style-type: none"> <li>• Maximal belastning på din Coboc-cykel</li> <li>• Väskhållare</li> <li>• Cykelkärra</li> <li>• Barnstol</li> </ul>			
Innan varje cykeltur .....	Sida 114		
Idrifftagning .....	Sida 115		
<ul style="list-style-type: none"> <li>• Användning av Coboc e-drive systemet</li> <li>• Lykta</li> <li>• Så används bromsarna</li> <li>• Assistansnivå</li> <li>• Två olika körlägen</li> <li>• Växelbyte</li> </ul>			
Batteri och laddare .....	Sida 118		
<ul style="list-style-type: none"> <li>• Räckvidd</li> <li>• Laddning av batteriet</li> <li>• Förvaring</li> <li>• Transport</li> <li>• Bortskaffande</li> </ul>			
		Coboc-app .....	Sida 131
		Felkoder .....	Sida 131
		Moment (torque Nm) .....	Sida 132
		Tekniska specifikationer .....	Sida 133
		Ramgeometri .....	Sida 134
		Garanti .....	Sida 135
		Service .....	Sida 135
		Försäkran om överensstämmelse .....	Sida 136

## Överblick över TEN Merano



Det är viktigt, att du läser hela bruksanvisningen, innan du börjar använda din nya Coboc-cykel. Bruksanvisningen innehåller viktig information som är relevant för din säkerhet.

Underlåtenhet att följa säkerhetsanvisningarna kan leda till allvarliga olyckor samt person- och / eller produktskador. Om du lånar ut din cykel, ska du försäkra dig om att de, som lånar den, även har läst och förstått bruksanvisningen, innan de börjar använda cykeln. Bruksanvisningen ska sparas på ett säkert ställe och alltid vara lättillgänglig.

Kör säkert - cyklister är kontinuerligt utsatta för ökad risk, speciellt på offentliga vägar. Vi rekommenderar, att du alltid använder cykelhjälm. Cykelhjälm ska justeras korrekt, så den passar perfekt till ditt huvud. Följ cykelhjälmstillverkarens instruktioner.

Du bör klä dig i ljusa kläder med reflexer, så att du syns i trafiken. Se till, att dina byxor inte är för vida, då de kan fastna i cykeln. Använd cykelclips om nödvändigt. Fara för person- och / eller produktskada om dina kläder fastnar i cykeln.

Tänk på den ökade prestandan. På grund av den elektriska motorn i din Coboc-cykel är prestandan betydligt högre än vid traditionella cyklar. Det betyder bl a att högre topphastigheter kan nås, men att det samtidigt överförs ett större vridmoment till bakhjulet. Detta kan leda till, att hjulen glider, speciellt vid vått underlag.

Vänj dig vid din Coboc-cykel. Coboc-cykelns speciella egenskaper kräver, att du gör dig bekant med dem på säkra och öppna områden med gott om plats. Använd inte din Coboc-cykel på offentliga vägar, förrän du har full kontroll över den.

Symbolförklaring: för en förbättrad läsbarhet innehåller bruksanvisningen nedanstående symboler:



INFO: Denna symbol framhäver viktig information samt goda råd.



FORSIGTIG: Denna symbol varnar dig för felaktigt användande, som kan medföra miljöförorening, skada på din Coboc-cykel eller andra materiella skador.



ADVAREL: Denna symbol anger möjlig hälsofara och / eller livsfara, på grund av felaktigt användande av cykeln.

## Quick start guide

### Vad finns i kartongen?

- TEN Merano
- Laddare
- Coboc URB-Pedaler
- Unisexnyckel
- Bruksanvisning
- Reflexer och ringklocka

### MONTERING

Coboc-cykeln är nästan komplett monterad vid leveranstillfället. Dock är styret och pedalerna lösa. Det är därför mycket viktigt, att du läser manualen innan första användning. Var speciellt uppmärksam på säkerhetsanvisningarna och avsnittet: Moment (torque Nm).

#### Kontroll av däcktrycket

Kontrollera däcktrycket innan starten av varje cykeltur. Det finns angivet på sidan av hjulet och kan variera beroende på hjulmodell.



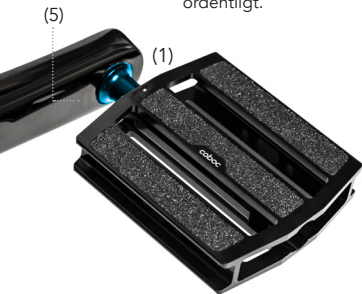
**WARNING:** Däcktrycket får aldrig falla till under 35 psi. Fara för produktskada.

#### Montering av pedaler

Smörj båda pedalgängorna (5), innan pedalerna skruvas på.



**WARNING:** Båda pedalerna har olika gängor och ska skruvas på, på den avsedda sidan. Höger pedal har gängor på höger sida, medan vänster pedal har gängor på vänster sida. Fara för produktskada om pedalerna monteras på fel sida. Se till, att båda pedalerna spänns ordentligt.



#### Justering av cykelstyre och styrstam

Lossa båda skruvarna (1) med den medföljande unisexnyckeln. Justera styret, så styrstammen och framhjulet är i linje med varandra. Spänn skruvarna (1) igen. Lossa därefter de fyra skruvarna på styrstammen (3). Vrid styret i den önskade körställningen och spänn därefter skruvarna. Se till, att de fyra skruvarna (3) spänns lika mycket.

#### Justering av handbromsen

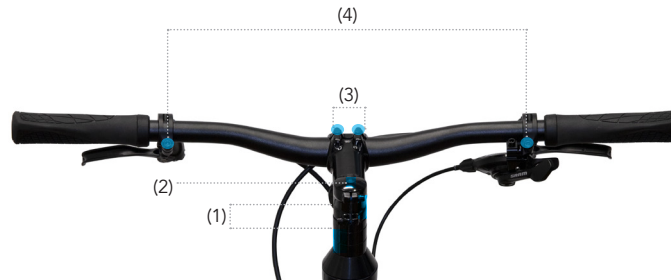
Lossa justeringskruvarna (4), och justera handbromsen efter din önskade greppposition. Det ska vara behagligt och säkert på samma gång. Spänn därefter justeringskruvarna (4) igen.

#### Kontroll/justering av headset-styrjusteringslager

För att göra detta, ska dra i båda handbromsarna helt i botten, samtidigt som du skjuter cykeln fram och tillbaka ett par gånger. Styret ska vara kunna röra sig en aning från vänster till höger, men lagerglappet ska förbli på ett minimum. Om det är för stort lagerglapp, lossas de två skruvarna (1) igen. Spänn långsamt skruven (2), tills lagret inte längre har för stort glapp. Spänn därefter skruvarna (1) igen.



**OBSERVERA:** Spänn inte skruvarna för hårt (2), då detta kan skada styrjusteringslagren. Om det bara är styret som svänger, kan det betyda att skruven (2) är för hårt åtdragen. Om detta är orsaken, lossas skruvarna (1), varefter skruven (2) lossas en aning. Spänn därefter skruvarna (1) igen.



## COBOC E-DRIVE-SYSTEMET



Din cykel tänds/släcks

Tryck kort på power-knappen (7) på cykelns användargränssnitt, som är placerad på undersidan av cykelns topp tube för att aktivera Coboc e-drive systemet. På LED-displayen (6) lyser minst en LED för att indikera batterinivån på din Coboc-cykel. Ju mer du trampar på pedalerna, desto mer assistans ger cykeln. Om du slutar att trampa, stoppar motorassistansen motsvarande.



**WARNING:** På grund av den elektriska motorhjälpen är du mycket snabbare och mer dynamisk på vägarna, än du är van vid på en traditionell cykel. Vi rekommenderar därför, att du tar god tid på dig för att vänja dig vid denna nya körstil.

Batterinivå - antal tända LED-indikatorer

- 5 LED-indikatorer lyser blått - 80 - 100% batterinivå
- 4 LED-indikatorer lyser blått - 60 - 80% batterinivå
- 3 LED-indikatorer lyser blått - 40 - 60% batterinivå
- 2 LED-indikatorer lyser blått - 40 - 20% batterinivå
- 1 LED-indikator lyser blått - 1 - 20% batterinivå

Felkoder - blinkande LED-indikatorer

- 4 LED-indikatorer lyser rött - motorkabelfel
- 3 LED-indikatorer lyser rött - Torque Sensor fel
- 2 LED-indikatorer lyser rött - övriga fel
- 1 LED-indikator lyser blått - låg batterinivå

Ljuset tänds/släcks

Din Coboc-cykel är utrustad med lyktor. Du kan tända och släcka dem genom att hålla inne power-knappen (7) i 3 sekunder. Detta är fortfarande möjligt, när Coboc e-drive systemet är släckt.

## KÖRNING

Din Coboc-cykel kör som en vanlig cykel - bara mer dynamisk. Ju mer du trampar på pedalerna, desto mer hjälp ger cykeln. Om du slutar att trampa, stannar motorhjälpen motsvarande.



**WARNING:** Du blir mer dynamisk med din Coboc-cykel, än du är van vid. Vi rekommenderar därför, att du tar dig god tid att vänja dig vid denna nya körstil.



**INFO:** Om du känner att motorhjälpen är inställd för tidigt eller för sent, vid mycket lågt eller mycket högt tryck på pedalerna, ska du vara uppmärksam på, att du alltid kan kalibrera torquesensorn igen. Besök <https://support.coboc.biz/> eller kontakta din lokala cykelhandlare.



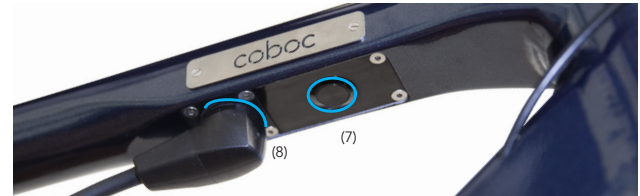
**INFO:** Vid oegentligheter under drift eller andra fel, kan du försöka att nollställa systemet. För att göra detta ska du trycka på power-knappen (7) i ca 20 sekunder. Din cykel bekräftar nollställningen genom, att LED-lamporna kortvarigt blinkar blått, och därefter lyser grönt.

## Uppladdning

Laddporten (8) är placerad precis bakom power-knappen (7) på cykelns användargränssnitt. Anslut bara den magnetiska laddaren för att börja uppladdningen av din Coboc-cykel.

En full uppladdning av batteriet från 1% till 100% tar normalt 2 1/2 timme med den vanliga Coboc 4A-laddaren. Dock är batteriet redan laddat till 90% efter två timmar, vilket betyder, att laddningstiden för de sista 10% tar lite längre (en halvtimme).

Den idealiska utomhustemperaturen för batteriladdning ligger mellan +5 °C och +35 °C. Vid temperaturer på 0 °C och under samt +40 °C och däröver inaktiveras laddningen för att skydda batteriet.



## Lagstiftning

Du ska alltid följa gällande lagar och regler, när du cyklar på din Coboc-cykel. Nedan visas endast ett urval, och du bör därför själv sätta dig in i gällande lagar och regler. Se till att kontinuerligt hålla dig uppdaterad, eftersom det kan ske ändringar i lagstiftningen.

Inom EU hör pedelecs med motorassistans på upp till 25 km/t och en motor med en kontinuerlig effekt på 250 watt in under de samma reglerna som traditionella cyklar. Cyklar med pedalassistans, som kan nå högre topphastigheter och/eller har starkare motoreffekt, följer EU-direktiv 2002/24/EG, kallas för mopeder med begränsad prestanda. Dessa fordon kräver typgodkännande, såsom plikt att bära hjälm och en försäkringsplikt.

Coboc-cyklar levereras med en topphastighet på 25 km/t och en motorprestanda på 250 watt som standard, och är därför enligt EU-direktiv 2002/24/EG undantagna från typgodkännande.

Enligt Transportstyrelsen är följande utrustning lagstadgad i Sverige.

### Belysning

En cykel ska ha:

- en lykta baktill som kan visa rött ljus bakåt och tydligt kunna ses på ett avstånd av 300 meter. Baklyktan får var av blinkande typ om den blinkar med minst 200 blinkningar/minut.
- strålkastare framtill som kan avge vitt eller gult ljus med sådan ljusstyrka att fordonet under mörker kan föras på betryggande sätt, eller en lykta framtill som kan visa vitt eller gult ljus framåt och tydligt kunna ses på ett avstånd av 300 meter.

Kontrollera regelbundet lyktorna och byt batteri, när ljuset börjar bli svagt. Lyktorna ska tändas från det att solen går ner, tills den går upp.

### Reflexer

Din cykel ska kunna ses från alla vinklar i mörker.

Den ska ha:

- röd reflex baktill,
- vit reflex framtill och,
- vit eller orangegul åt sidan.

Kom ihåg att rengöra reflexerna ett par gånger om året, så de reflekterar så bra som möjligt.

Byt ut reflexerna, om de går sönder.

### Ringklocka

Din ringklocka ska ljuda klart och tydligt. Den ska sitta på styret, och du får inte ersätta den med en tuta eller liknande.

Andra trafikanter ska kunna höra ringsignalen.

### Bromsar

Du ska ha broms på båda hjulen. Det kan antingen vara handbroms eller fotbroms kombinerat med handbroms.

Kontrollera regelbundet om bromsarna fungerar som de ska, eller om det är dags att byta, strama eller smörja kablar.

Ansaret för att följa trafiksäkerheten för din Coboc-cykel ligger hos dig.



## Maximal belastning på din Coboc-cykel

Överbelasta inte din Coboc-cykel. Den totalt tillåtna belastningen får aldrig överskridas. Se nedanstående tabell för maximal belastning, som inkluderar föraren, cykelns och bagagets vikt.

Din max. vikt	Cykelvikt	Max. förarvikt	Max. vikt / väskhållare	Max. totalvikt på kärra
140 kg	16 kg	120 kg	10 kg + 10 kg	50 kg

Om din Coboc-cykel är utrustad med väskhållare som standard, får varje sida max. belastas med 10 kg bagage. Observera: Den totala max. belastningen får fortfarande inte överskridas. Kontrollera regelbundet, att monteringskruvarna till skärmar och väskhållare är ordentligt åtdragna.



**WARNING:** Kör aldrig mer än en på cykeln åt gången. Din Coboc-cykel är endast utformad för transport av en person. Undantag: Om du har barn med på cykeln - i barnstol eller cykelkärra. Var uppmärksam på gällande lagar och regler och den tillåtna max. belastningen på din Coboc-cykel.

## Cykelkärra

Din Coboc-cykel kan dra en en- eller tvåsitsig cykelkärra. Den ska installeras på KSA18 bakre stag på cykelramen med hjälp av en Weber EU-koppling (1) och får inte överstiga en totalvikt på 50 kg. Den tillåtna totalvikten på din cykel får inte överskridas även med en cykelkärra och personbelastning. För mer information kontakta din Coboc-återförsäljare. Observera: Låt alltid en auktoriserad fackman utföra installationen av kärran.

## Barnstol

Din Coboc-cykel är lämplig för montering av en barnstol med ett beslag på sadelröret (t ex Römer Jockey). Använd endast testade och godkända barnstolar med denna typ av fastsättning. För mer information, kontakta din Coboc-återförsäljare. Observera: Låt alltid en auktoriserad fackman utföra installationen av barnstolen.



**WARNING:** Barn som sitter i en barnstol, ska alltid bära en passende cykelhjälm. Om din Coboc-cykel är parkerad, får inte barnet sitta kvar i barnstolen. Fara för att cykeln välter och orsakar person- och/eller produktskada.



**WARNING:** Din Coboc-cykel är inte konstruerad för att utsättas för extrema situationer som att köra nedför trappor eller uppför ramper.

Om din Coboc-cykel är utrustad enligt lagstiftningen, kan den användas på offentliga vägar. Se avsnittet: Lagstiftning

Observera även, att följa drifts- och underhållsanvisningarna i denna bruksanvisning som utgör en viktig del av den avsedda användningen av Coboc-cykeln.



**WARNING:** Din Coboc-cykel är ingen leksak. Låt inte barn hantera din Coboc-cykel utan klara instruktioner om användande och lämna dem aldrig utan uppsyn, när de är i närheten av cykeln. Du bör informera barn om de faror som finns i anslutning till användandet elektroniska produkter. Följ gällande minimumålder för användande av elektroniska produkter.

## Inför varje cykeltur



**INFO:** Ljudnivån vid förarens öra överstiger inte 70 dB(A).

Coboc samt deras återförsäljare och grossister påtar sig inget ansvar för annan användning än den avsedda, och kan inte hållas ansvariga för person- och/eller produktskador som inträffar på grund av att säkerhetsinstruktionerna i denna manual inte följs.

Se till, att din Coboc-cykel är klar för användning, och att den är anpassad till din kroppslängd. Sadelhöjden och styrets position ska justeras korrekt. Din sadel ska ställas in på en behaglig och säker höjd.



**WARNING:** Val av ramstorlek som inte passar till din längd, eller bristande underhåll/anpassning kan leda till att du tappar kontrollen och faller. Fara för allvarliga person- och/eller produktskador. Om du har problem med att välja korrekt ramstorlek, eller är osäker på hur Coboc-cykeln anpassas korrekt till just dig, ber vi dig kontakta din lokala Coboc-återförsäljare.

### Justering av sadeln



**WARNING:** Sadeln får aldrig sättas högre än markeringen på sadelstolpen. Fara för fall och person- och/eller produktskada, om sadeln sätts över markeringen. Garantin på din Coboc-cykel bortfaller, om sadeln justeras till över max. höjd. Tillverkaren/återförsäljaren kan inte hållas ansvariga för person- och/eller produktskador, om anvisningen inte följs.

Du kan placera din sadel i tre olika positioner. Efter justering ska du se till, att skruvarna under sadeln och vid sadelstolpen är ordentligt fastspända. Sätt dig på sadeln och sätt den ena foten på pedalen, medan du placerar den andra foten i marken. Använd nu din häla för att försiktigt trampa på pedalen, tills veven är i linje med sadelstolpen. Om du står på pedalen, men ditt ben inte är helt utsträckt, är sadelinställningen för låg. Omvänt, om du måste sträcka dig för att nå pedalen, eller har behov för att skjuta bäckenet framåt, är sadelinställningen för hög. Om det är nödvändigt, kan du lossa skruven på sadelstolpen, och justera sadeln till korrekt höjd. Spänn därefter skruven igen.

Se till, att sadeln är i linje med cykelns top tube. Lossa, om nödvändigt, sadelskruven och rör sadeln till höger eller vänster. Spänn skruven igen. Det är också möjligt att justera sadellutningen i förhållande till cykelns top tube. Lossa sadelskruven, justera och spänn skruven igen.



**WARNING:** Kom ihåg tillåtet vridmoment (torque Nm) för alla dess steg. Se avsnittet: Vridmoment (torque nm) och se till, att alla skruvar dras åt, innan du justerar sadeln eller använder din Coboc-cykel.

### Regelbunden kontroll av cykeln

Kontrollera att lyktorna på din Coboc-cykel fungerar.

Du ska kunna nå bägge handbromsarna utan problem. Lär dig vilken handbroms, som hör till vilken broms. Som standard hör höger handbroms till bakbromsen, och vänster handbroms till frambromsen. Notera, att bromslängden ökar, och att hjulen kan blockeras hastigare, om underlaget är blött.

Se till, att skruvarna till sadeln, styret och bromsarna är ordentligt åtdragna. Se avsnittet: Vridmoment (torque Nm). Om du är osäker kan du prova att vrida sadeln, styret eller bromsarna. Inget ska kunna röra sig. Var noga med att regelbundet kontrollera alla andra skruvar och se till, att de är åtdragna ordentligt. Var noga med att ramen och gaffeln inte är skadade.

Kontrollera regelbundet för slitage på friktionskomponenter inne i bromsarna. Se avsnittet: Underhåll

### Test av bromssystemet

Skjut din Coboc-cykel framåt, medan du drar i bakbromsen. Om allt är korrekt justerat, ska bakhjulet blockeras. Om du använder frambromsen, ska ditt bakhjul lyfta sig över marken. Det får inte vara glapp i styret. Handbromsarna ska dras halvvägs i detta test.

## Kontroll av hjulen

Kontrollera hjulen och däcktrycket! Undersök hjul och fälgar för slitage, skador, sprickor, skevheter eller mindre objekt, som kan vara intryckta i däcken (t ex glasfragment). Vi rekommenderar dig att använda en passande cykelpump med inbyggd tryckmätare. Det optimala däcktrycket är angivet på sidan av hjulet och kan variera i förhållande till hjulmodell. Om du är osäker, eller om du använder andra komponenter än de som medföljer som standard, hänvisas du till däcktillverkaren för korrekt däcktryck. Om däcktrycket är för lågt, är det en ökad risk för punktering. Detta kan dessutom ge bestående skador på fälgarna.

Om trycket är för högt, kan både hjul och/eller fälgar skadas. Under alla omständigheter kan felaktigt däcktryck orsaka fall.



**WARNING:** Om du är osäker på, om din Coboc-cykel är i tekniskt säkert skick, bör du inte använda den. Kontakta istället din lokala Coboc-återförsäljare eller en servicepartner och be dem att kontrollera cykelns skick, innan du cyklar på den igen.



**WARNING:** Däcktrycket får aldrig falla under 35 psi. Fara för produktskada.

Om du använder din Coboc-cykel mycket, ska du se till, att cykeln regelbundet blir kontrollerad. Se avsnittet: *Underhåll*



**INFO:** Innan du cyklar, ska du se till, att batterinivån är tillräckligt hög för den tänkta cykelturen.  
Se avsnittet: Batterinivå.

Vi förmodar, att du som Coboc-cykelanvändare har tillräcklig grundläggande cykelkunskap från traditionella cyklar. Om det inte är så, rekommenderar vi att du först tränar på en cykel utan motorassistans. På grund av den starka accelerationen och den ökade maximala hastigheten rekommenderar vi, att du är en van cyklist, innan du använder en elcykel.

Vänj dig först vid din Coboc-cykel. De speciella köregenskaperna för Coboc-cyklar kräver, att du bekantar dig med dem i olika former av terräng. Se till, att du har full kontroll över cykeln, innan du tar den i bruk på offentliga vägar.

## Användning av Coboc e-drive systemet

Din Coboc-cykel har två driftinställningar:

"Bike Off" / manuell cykling utan motorassistans: Du kan använda din Coboc-cykel som en traditionell cykel utan motorassistans. De fem LED-indikatorerna på cykelns topp tube är släckta. När cykeln inte används och är under förvaring, ska din Coboc-cykel vara inställd på: "Bike Off".

"Bike On" / cykling med motorassistans: Tryck på power-knappen för att aktivera motorassistansen. När de fem LED-indikatorerna lyser, är motorassistansen aktiverad. När assistansen är aktiverad, indikerar LED-indikatorerna batterinivån. Max. hastighet med assistans är 25 km/t.

## Stänga av motorassistansen

Tryck på power-knappen. Observera: din Coboc-cykel släcks automatiskt efter tre minuters inaktivitet.

## Användning

### Användning av lyktorna

Din Coboc-cykel är utrustad med ett integrerat lyktsystem, som också kontrolleras via power-knappen. Ljuset tänds/släcks genom att hålla power-knappen inne i tre sekunder. Ljuset kan både användas i "Bike On" och "Bike Off"-inställningarna och släcks automatiskt, när din cykel varit inaktiv i mer än fyra minuter.

Observera: Ljuset kan användas i upp till två timmar efter batteriets urladdning.



## Gör dig bekant med bromssystemet

Se till att du vet, vilken handbroms som hör till vilken broms. Som standard hör höger handbroms till bakbromsen, och vänster handbroms till frambromsen. Se avsnittet: Underhåll.

Det är viktigt, att du kontrollerar, om det finns tecken på slitage på dina fälgbromsklossar. Var även noga med att kontrollera bromsskornas bromsklossar för slitage. Se avsnittet: Underhåll. Risk för brister i bromssystemet, om det är tecken på kraftigt slitage på dessa komponenter. Fara för allvarlig person- och/eller personskada.



**WARNING:** Använd dina bromsar på ett kontrollerat och tidsbegränsat sätt. Alltför våldsamt inbromsning kan blockera hjulen, och orsaka fall. Fara för allvarlig person- och produktskada.

## Hydrauliska skivbromsar

Undvik att använda bromsarna kontinuerligt, om du kör nedför en lång backe. Detta kan orsaka bildande av ångbubblor och leda till, att du tappat kontrollen över cykeln. Fara för allvarlig person- och/eller produktskada. Försök därför med jämna mellanrum att släppa bromsarna helt eller att skifta mellan fram- och bakbromsarna. På det sättet kan bromssystemet kylas ner. Ta om nödvändigt en kort paus för att kyla ner det. Kontrollera alltid bromspunkten innan du cyklar. Om du kan dra handbromsen helt tillbaka till styret, eller om bromspunkten ändras, medan du cyklar, bör du inte använda cykeln. Låt istället din Coboc-återförsäljare kontrollera dina bromsar, innan du cyklar vidare.

## Motorassistansnivå

Nivån av motorassistans anpassar sig till ditt körsätt. Ju hårdare du trampar på pedalerna, desto högre vridmoment på motorn. Detta eliminerar behovet för val av assistans. Du kan dock göra en finjustering av Coboc e-drive-systemet via Coboc-appen. Observera, att vi avråder från att använda Coboc-appen, medan du cyklar. Se avsnittet Coboc-app.

## Två olika körlägen

Sedan lanseringen av firmware-versionen 3.34 kan du nu välja mellan två olika körlägen. Du kan antingen få tillgång till dem via vår Coboc-app eller power-knappen på din cykel.

Körinställningar för båda körlägena kan justeras individuellt och sparas, även om cykeln och telefonen inte är anslutna till varandra.

Du kan välja mellan de två körlägena med ett dubbeltryck på power-knappen. Displayen bekräftar valet genom att färgen på LED-displayen skiftar från blått till grönt. Du kan också växla mellan de två körlägena via Coboc-appen.



**WARNING:** Trampa först på pedalerna, när du sitter säkert på din Coboc-cykel. Så snart trycket sätts på pedalerna, aktiveras motorassistansen. Om du inte vill sitta på cykeln innan start, men önskar att sätta en fot på pedalen, medan du svingar benet över sadeln, ska du vara uppmärksam på, att cykeln plötsligt kan börja att röra sig. Risk för personskada!

Sluta att trampa på pedalerna i tid. Motorassistansen stannar, så snart veven slutar att rotera. Var speciellt uppmärksam på detta vid vägkorsningar och svängar. Om du har problem (t ex för att du inte slutade att trampa i tid), kan du alltid stoppa motorn med hjälp av bakhjulsbromsen.

## Växelbyte

Din Coboc-cykel är utrustad med invändigt SRAM GX-växelsystem med 7 växlar. Växelreglaget är placerat på styrets högra sida, och är anslutet till den bakre växelföraren, som är installerad på bakhjulet.

Båda växelreglagen (A) och (B) aktiveras genom att dra i handtagen. De går automatiskt tillbaka till utgångspositionen efter aktivering. Vid byte till högre växel kan växelreglaget (B) även användas med pekfingeret framför styret.

Se till att trampa i pedalerna, samtidigt som du byter växel. Observera: Trampa inte baklänges i pedalerna under växelbyte, eftersom detta kan skada växelsystemet.

Lätta på trycket på pedalerna under växelbyte. Därmed byter du snabbt och obesvärat mellan växlarna och minskar dessutom slitaget på kedja och kuggjul.



**WARNING:** Växelbyte vid maximal vikt kan orsaka skada på kedjan. Fara för person- och/eller produktskada.

## Byta till lägre växel

För att byta till en lägre växel, trycker du på växelreglaget (A), tills det klickar. För att byta flera växlar åt gången ska du trycka på reglaget, tills den klickar åtskilliga gånger. Du kan maximalt byta fem växlar åt gången.

## Byta till högre växel

För att byta till en högre växel, trycker du på växelreglaget (B), tills det klickar. Alternativt kan du trycka växelreglaget (B) tillbaka med ditt pekfinger. Observera: Du kan bara byta en växel åt gången. Tryck därför flera gånger på reglaget, om du ska byta mellan flera växlar.

För mer information om montering och funktionen av SRAM GX-växelsystemet; besök Coboc's hemsida eller kontakta din lokala Coboc-återförsäljare.



Din Coboc-cykel är utrustad med ett modernt litiumjonbatteri. Denna typ av batteri ger den mest avancerade energitätheten, vilket betyder maximal räckvidd vid minimum vikt. Dessutom har litiumjonbatterier ingen minneseffekt. Detta batteri har en nominell spänning på 36 volt och en nominell kapacitet på 380 Wh.



**INFO:** Batteriet på din Coboc-cykel är installerat i ramen. Denna montering möjliggör en mycket låg fordonsvikt samt optimalt fuktskydd. Batteriet förblir i ramen, även under laddning. Endast en auktoriserad fackman får montera bort batteriet.



**VARNING:** Försök inte själv att montera bort batteriet! Skyddet, som är placerat på botten av cykelns down tube, får under inga omständigheter öppnas. Det är uteslutande auktoriserad fackman, som får utföra reparationer på drivsystemet. Fara för allvarlig personskada eller livsfara på grund av strömförande delar. Drivsystemet är dessutom skyddat mot fukt via en speciell tätningsteknik. Om skyddet öppnas utan godkännande från Coboc frånfaller garantin omedelbart. Varken Coboc, distributören eller återförsäljaren kan hållas ansvariga för de person- och/eller produktskador, som kan uppstå, om anvisningarna inte följs.

## Räckvidd

Räckvidden på din Coboc-cykel beror på många olika faktorer och kan därför variera. Det kan bero på: typ av yta, lutningar, vindförhållanden, däckegenskaper, lufttryck, förarens vikt, trampfrekvens, körhastighet och temperatur. Val av körläge har dessutom betydelse för räckvidden av din Coboc-cykel. Information om Coboc-appen och inställningen av de olika körlägena finns här: [www.coboc.biz/en/the-coboc-app](http://www.coboc.biz/en/the-coboc-app)

Med ett fulladdat batteri i jämn terräng och i körläge 1 (LED-indikatorerna lyser blått) varierar räckvidden mellan 70-100 km. Om du kör på asfalt med ett långt däcktryck, ökas rullmotståndet och därmed reduceras räckvidden. Motvind och/eller kuperad terräng har också en negativ inverkan på räckvidden. Beroende på körinställningen i valt körläge, kan motorassistansen ökas. Om detta görs, reduceras räckvidden. En hög totalvikt reducerar dessutom räckvidden. Om du kör över 25 km/t inaktiveras motorassistansen och cykeln fungerar som en traditionell cykel. Detta förlänger den "resterande" räckvidden.

På varma dagar (batteritemperatur på över 60 grader C) släcks batteriet automatiskt av säkerhetsmässiga orsaker. Därefter ska det svalna, innan det kan användas igen. Om din cykel inte tänds eller blir laddad under mer än 30 dagar, går den automatiskt i ett tillstånd av dvala för att spara ström i batteriet. Cykeln kan inte tändas, när den är i dvala. Anslut laddaren, för att aktivera cykeln, om den är i dvala.

Batterinivån visas på cykelns användargränssnitt. Upp till fem LED-indikatorer lyser, när Coboc-cykeln är tänd:

- 5 LED-indikatorer lyser blått - 80 - 100% batterinivå
- 4 LED-indikatorer lyser blått - 60 - 80% batterinivå
- 3 LED-indikatorer lyser blått - 40 - 60% batterinivå
- 2 LED-indikatorer lyser blått - 40 - 20% batterinivå
- 1 LED-indikator lyser blått - 1 - 20% batterinivå



**INFO:** Om mer än en LED-indikator lyser rött, indikerar detta ett fel på drivsystemet. Se avsnittet: Felkoder för mer information.

## Laddning av batteriet

Den idealiska utomhustemperaturen för batteriladdning ligger mellan +5 °C och +35 °C. Vid temperaturer på 0 °C och under samt +40 °C och över, inaktiveras laddningen för att skydda batteriet.



**OBSERVERA:** Undvik att använda andra laddare än den, som medföljer produkten. Moderna litiumjonbatterier kräver originalladdare. Fara för brand och/eller explosion.



**VARNING:** Var noga med att kontrollera laddaren för eventuella skador. Använd aldrig en defekt laddare.

Laddporten är placerad i botten på cykelns topp tube. Det finns bara ett sätt att ansluta kontakten. Laddporten och kontakten är magnetiska och förblir festsatta, om de är korrekt anslutna.

## Batteri och laddare

Ladda endast batteriet på torra och väl ventilerade platser, då laddaren inte får utsättas för regn, vatten eller fukt. Se till, att det inte finns några brandfarliga objekt i närheten, när du laddar din cykel. Förvara alltid din laddare på en säker plats, så den inte skadas.



**VARNING:** Använd bara laddaren inomhus. Notera ytterligare tips direkt på laddaren och se den medföljande laddningshandboken.

För att ladda ditt batteri, ska du sätta kontakten i ett passande eluttag och ansluta laddaren till din Coboc-cykel. Se till, att anslutningsvärderna uppfyller landets lagar och regler. Den medföljande laddaren är utformad för: 220V och 240V.

Laddningen börjar, så snart laddaren är ansluten, och din Coboc-cykel släcks. Du kan inte tända din Coboc-cykel, under tiden du laddar den.

LED-indikatorerna lyser nu upp efter varandra för att indikera pågående laddning. När din Coboc-cykel är fulladdad, släcks den automatiskt. Laddaren visar, när batteriet är fulladdat.

En full uppladdning av batteriet från 1% till 100% tar normalt 2 1/2 timme med den vanliga Coboc 4A-laddaren. Dock är batteriet redan laddat till 90% efter två timmar, vilket betyder, att laddningstiden för de sista 10% tar lite längre tid (en halv timme).

Du kan hålla din Coboc-cykel ansluten till laddaren även efter att laddningen är avslutad. Batteriet överladdas inte. Vi rekommenderar dock, att du tar ut kontakten från din Coboc-cykel och stickkontakten av säkerhetsmässiga skäl.

Se till, att din Coboc-cykel och litiumjonbatteriet täcks av din försäkring. Håll dig kontinuerligt uppdaterad om gällande lagar och regler.

### Förvaring



**VARNING:** Om din cykel inte ska användas under en längre period, ska du se till, att batteriet är fullt uppladdat. Om batteriet innan förvaringen laddas helt, ska det återuppladdas igen efter senast 8 månader. Cykeln får inte ställas undan till förvaring med ett helt urladdat batteri. Tillverkaren/återförsäljaren kan inte hållas ansvariga för de skador som kan uppstå om batteriet inte laddas under förvaringen eller ställs undan för förvaring med ett urladdat batteri.

Vid konstant uppladdning reduceras livslängden på batteriet snabbare. Vid fullständig urladdning kan batteriet skadas/förstöras permanent. Vi rekommenderar därför att ladda cykeln helt, innan den ställs undan för förvaring, avlägsna laddaren och förvara den i sval temperatur i ca 15°C.

Litiumjonbatterier urladdas automatiskt över tid. För att spara energi, går cykeln automatiskt i dvala. Ladda batteriet efter senast 8 månader.

Cykeln bör inte förvaras permanent i temperaturer på över 20°C. Litiumjonbatterier urladdas långsamt, även om de inte används. För att undvika en fullständig urladdning går din Coboc-cykel i dvala, om den inte används. Anslut laddaren, för att aktivera cykeln, om den är i dvala.



**VARNING:** Om batteriet inte använd under en längre tid, får det inte vara kontinuerligt anslutet till laddaren under denna tiden. Batteriet mister sin kapacitet snabbt, om batteriet är på konstant 100%.

Notera: Underlåtenhet att följa laddningsinstruktionerna kan leda till ett skadat eller värdelöst batteri. Garantin bortfaller omedelbart om laddningsinstruktionerna inte följs.



## Transport

Litiumjonbatterier på över 100 Wh omfattas av internationell lagstiftning om farligt gods. Batteriet, som är installerat i din Coboc-cykel (352 Wh), är klassificerat som farligt gods i klass 9. Därför ska transport på väg, sjö eller flyg specifikt godkännas i förväg. Det är obligatoriskt att söka rådgivning från en expert på farligt gods.

Kom ihåg, att många transportföretag har vissa rättningslinjer för transport av enheter eller fordon som är utrustade med litiumjonbatterier.

## Bortskaffande

Kassera inte din Coboc-cykel, laddare eller ditt batteri tillsammans med hushållsavfallet.



**INFO:** Inom EU är man som konsument skyldig att returnera icke-användbara batterier. Enligt EF-direktiv 2002/66/EF ska defekta och/eller använda batterier lämnas in separat och bortskaffas på ett miljövänligt sätt.

Lämna därför in använda batterier på din lokala avfallsanläggning. Notera att bortmontering av batteriet från din Coboc-cykel bör endast utföras av en auktoriserad fackman.



**WARNING:** Underhåll och reparation på drivsystemet får endast utföras av auktoriserad fackman. Skyddet, som är placerat på botten av cyklens down tube, får under inga omständigheter öppnas. Fara för allvarlig personskada eller livsfara på grund av strömförande delar. Drivsystemet är dessutom skyddat mot fukt via en speciell tätningsteknik. Om skyddet öppnas utan godkännande från Coboc, bortfaller garantin omedelbart. Varken Coboc, distributören eller återförsäljaren kan hållas ansvariga för de person- och/eller produktskador, som kan uppstå, om anvisningarna inte följs.



**WARNING:** Släck din Coboc-cykel ("Bike Off", släck lyktorna, om dessa är tända). Var alltid noga med, att din Coboc-cykel är släckt innan underhålls- och reparationsarbete. Motorn kan plötsligt starta, om reparationer utförs på en tänd Coboc-cykel med strömförande delar. Fara för allvarlig person- och/eller produktskada.

Ta inte bort det nedre beslaget! Det nedre beslaget på din Coboc-cykel är utrustat med en sensor, som är internt ansluten till drivsystemet. Felaktig bortmontering kan orsaka skador på kablar och/eller sensor.

## Rengöring och underhåll

Rengör din Coboc-cykel regelbundet. Detta håller inte bara cykeln fin. Det är också viktigt för optimal funktionalitet. Använd inga ång- eller högtrycksapparater för rengöring av cykeln. Fara för produktskada. Tvätta den bara för hand, och vänd den aldrig upp och ner. Elektronik och kulleterna är tätt förseglade, vilket möjliggör regelbunden drift även vid regn. Rengöring med högtryck kan medföra, att vätskor och/eller smuts tränger in genom tätningarna och kan skada lager och/eller elektronik.

Håll alltid kedjan välsmord. Detta möjliggör en tyst drift och minimerar slitage. Använd en passande kedjeolja.

## Säkerhetsanvisningar, kolmaterialkomponenter

Din Coboc-cykel är utrustad med en mycket lätt kolfibergaffel av hög kvalitet. Denna reducerar vikten och boostar designen på cykeln.



**VAR FÖRSIKTIG:** Komponenter framställda av kompositmaterial kan skadas på ställen som inte är synliga vid första ögonkastet. Fara för person- och/eller produktskada. Därför ska dessa komponenter kontrolleras efter fall.

## Underhåll

Kolmaterialdelarna kräver dessutom regelbundna visuella inspektioner. Kontrollera om lack, finish eller fibrer lossnar. Kontrollera delarna för ytförändringar (flisor, hål eller djupa repor). Var noga med att kontrollera om komponenterna blir mjukare eller mindre styva och solida. Om detta händer med en eller flera komponenter, ska dessa genast bytas ut.

### Specialfeatures för kolmaterialkomponenter

Kolfiberförstärkt plast är ett lätt material som har mycket specifika egenskaper. En förståelse för dessa egenskaper är viktigt för att säkerställa felfri drift samt lång livslängd på produkten.

Kol kan användas för att framställa mycket lätta men samtidigt otroligt robusta högkvalitetscykelkomponenter, om de behandlas korrekt.

Nackdelen med detta material är dock att eventuella skador kanske inte är synliga vid första anblicken, eftersom kol inte deformeras av överbelastning, såsom aluminium eller stål. Materialet kan behålla sin form även om den inre strukturen redan är skadad. En skadad struktur påverkar komponentens stabilitet och kan därför leda till allvarliga fall och skador. Kontakta din Coboc-återförsäljare om du är orolig över tillståndet för någon av kolkomponenterna.



**VAR FÖRSIKTIG:** Om du hör ett smällande ljud, kan detta indikera en defekt kolmaterialkomponent. Kontrollera regelbundet skruvbeslagen på dina kolmaterialkomponenter för korrekt vridmoment. Om det fortfarande hörs smällande ljud, ska du kontakta din Coboc-återförsäljare. Cykeln får under inga omständigheter användas med en defekt kolmaterialkomponent.



**VAR FÖRSIKTIG:** Kolmaterialkomponenter bör aldrig värmas upp till höga temperaturer som vid pulverbeläggningar eller lackfinish. Värmen kan skada komponenterna. Se därför till att cykeln inte förvaras i ett fordon eller på en plats, där den utsätts för starkt solljus.

### Underhåll av kolmaterialkomponenter

Kolmaterialkomponenter rengörs med en mjuk trasa och rent vatten. Om nödvändigt kan du tillföra ett neutralt rengöringsmedel (oljebaserat).



**VAR FÖRSIKTIG:** Använd aldrig ett avfettningsmedel som innehåller aceton, metylklorid eller trikloretylen. Kemiska och/eller icke neutrala rengöringsmedel som innehåller lösningsmedel, kan angripa ytan och försvaga kolmaterialkomponenten.



**WARNING:** Lättviktskolfiberdelar kan vara speciellt utsatta för slitage. Följ därför alltid instruktionerna kring rekommenderade serviceintervaller och få kolmaterialdelarna kontrollerade regelbundet för defekter och/eller slitage av din Coboc-återförsäljare.



**WARNING:** Kolmaterialdelar får aldrig smörjas. Om man gör detta, kan fett tränga in i ytan, vilket gör vridmomentet (torque) omöjligt. Vi rekommenderar att använda kolfiberpasta istället.



**WARNING:** Kontrollera dina kolmaterialdelar för synliga skador, såsom hack, bulor, repor, missfärgningar osv. Kontakta din Coboc-återförsäljare om du upptäcker sådana defekter. Undvik att använda cykeln, tills den är kontrollerad av en auktoriserad fackman.

## Service

Även om modern teknik ofta är utrustad med hög prestanda, har den fortfarande behov för underhåll. Se därför till att underhålla din cykel regelbundet. För att garantera en pålitlig funktion och för att säkerställa dina garantikrav ska du se till, att din Coboc-återförsäljare eller servicepartner utför en årlig service av din cykel.

Den första servicen av din Coboc-cykel har speciellt betydelse för optimal och pålitlig funktion. Kablar och ekrar kan sträcka sig, medan skruvar kan lossna. Se därför till, att få din cykel kontrollerad av din Coboc-återförsäljare eller servicepartner efter den första driftsmånaden eller 100 kilometer.

Följande tabell visar tidsperioder, som kan användas som indikator för cyklister som cyklar mellan 1500 och 2500 km om året. Att cykla på dåliga vägar, i dåligt väder eller om man cyklar mer än 2500 kilometer per år, förkortar detta motsvarande tidsintervallet. Om du inte har den tekniska kunskapen för att underhålla din cykel, ska du få den kontrollerad av din Coboc-återförsäljare eller servicepartner.

## Rekommenderade tidsintervaller

Komponent	Aktivitet	Inför varje cykeltur	Månadsvis	Årligen
Hjul	Kontrollera funktion	x		
	Kontrollera fälgar		x	
	Kontrollera bromsklossar		x	
	Kontrollera bromsrotorerna		x	
	Kontrollera ekerspänningen		x	
Växelbyte och bromskablar	Visuell kontroll			x
Däck	Kontrollera däcktryck	x		
	Kontrollera ventil		x	
Kedja	Kontrollera smörjning	x		
	Kontrollera spänning		x	
	Kontrollera slitage		x	
Motorer	Kontrollera lagerglapp			x
Pedaler	Kontrollera lagerglapp		x	
Vev	Kontrollera bultar		x	
Styre/framstam	Kontrollera bultar		x	
	Visuell kontroll			x
Headset-styrjusteringslager	Kontrollera lagerglapp		x	
Skrufvörbindelse Hjul	Kontrollera / efterspänn	x		
Skruer / Muttere	Kontrollera / efterspänn		x	
Motorkabel	Visuell kontroll		x	
Skärmar	Kontrollera / efterspänn		x	
Väskhållare	Kontrollera / efterspänn		x	
Stödben	Kontrollera / efterspänn		x	

## Underhåll

- Se till, att dina bromsar fungerar korrekt innan varje cykeltur. Båda bromsarna ska fungera felfritt och får inte blockeras. Du ska inte kunna dra handbromsarna helt in till styret. Se till, att kontrollera för slitage på dina bromsklossar, på sidan av fälgbromsar/skivorna på dina skivbromsar. Se avsnittet: Justering av bromsar.
- Se till, att kontrollera både kabelhousing och bromskablar regelbundet, och minst en gång i månaden. Beläggningen bör inte vara skadad, och kabelhousingen får inte vara defekt. Detta betyder, att plastbeläggningen på den yttre bromskabeln inte får vara skadad, och att den invändiga metallbeläggningen aldrig får vara oskyddad. Se till, att ledningarna inne i bromskablarna inte visar tecken på skador, och att de invändiga kablarna löper smidigt genom kabelhousingen.
- Var noga med att kontrollera trycket på båda däcken innan varje cykeltur. Det rekommenderade däcktrycket beror på däcktypen och är normalt angivet på däckets sida. Se till, att ventilstammen sitter korrekt i fälgen. Den ska vara mer eller mindre i linje med ekrarna. Den kan bli söndertrasad, om den inte är korrekt placerad. Din Coboc-cykel är utrustad med Schwalbe Kojak 35-622 (28 x 1,35, 700 x 35C) max. 6,5 bar / Continental Grand Prix Classic 25-622 (700x25C) max. 8,5 bar / Schwalbe ONE 25-622 (700 / 25C) max. 9 bar / Schwalbe G-ONE hastighet 50-584 (27,5 x 2,0, 650B) max. 6 bar / Schwalbe Durano 25-622 (700 / 25C) max. 9 bar. Om du använder andra däck, ska du se till, att fälgar och däck är kompatibla, och att det max. tillåtna lufttrycket för fälgar och däck inte överskrids.
- Smörj kedjan med passande kedjeolja (se avsnittet: Smörjning). Kontrollera kedjespänningen minst en gång i månaden (se avsnittet: Justering av kedjespänning). Kontrollera slitage med hjälp av en kedjemätare, eller få din Coboc-återförsäljare att bedöma slitaget på din kedja.
- Kontrollera hjulet för lagerglapp en gång om året. Byt hjullager, om fälgen rör sig, även om däckets fastspänning är tillräckligt. Detsamma gäller, om hjulet inte rullar jämnt utan glidande bromsar. Kontakta din Coboc-återförsäljare i detta fall.
- Kontrollera pedalerna för glapp en gång i månaden genom att försöka att flytta dem över pedalexlarna. Du ska byta lager, om du kan flytta pedalerna från sida till sida. Kontakta din Coboc-återförsäljare i detta fall.
- Ca en gång i månaden ska du kontrollera, om skruvarna på veven är ordentligt fastspända. Använd en unisexnyckel. Se avsnittet: Moment (torque Nm).
- Ca en gång i månaden ska du kontrollera hjulens ekerspänning. För att göra detta ska du bara trycka samman två intilliggande ekrar med en hand. På detta sätt får du veta, om en av ekrarna är mer lös än den andra. Om detta är fallet, ska du kontakta din Coboc-återförsäljare.
- En gång i månaden kontrolleras fälgarna. Se till, att de inte slår. Få dem kontrollerade av din Coboc-återförsäljare, om de inte längre kör jämnt.
- En gång i månaden kontrolleras skruven på styrets framstam. Kontrollera även headset-toppskruven. Använd en unisexnyckel till detta.
- Ge dig tid att inspektera styret för skador såsom bulor, skevheter, repor eller hål. Vid tvivel eller efter ca tre år rekommenderar vi, att styret byts ut av din Coboc-återförsäljare.
- Ca en gång i månaden kontrolleras, om det finns glapp i headset-styrjusteringen. Se avsnittet: Justering av Headset-styrjustering.
- En gång i månaden kontrolleras, om hjulen är ordentligt fastspända. använd en momentnyckel.
- Kontrollera motorkabeln för synliga kontakter eller andra skador. En skadad motorkabel kan leda till elektrisk stöt och orsaka allvarliga skador. I händelse av defekter, ber vi dig kontakta din Coboc-återförsäljare.
- Du bör endast använda den integrerade fram- och baklyktan. Om lyktorna visar tecken på skada eller inte fungerar korrekt, ska du kontakta din Coboc-återförsäljare.

- Byt bara komponenterna på din Coboc-cykel mot originaldelar eller delar godkända av Coboc. Garantin gäller inte, om du använder delar som inte är original. Tillverkaren, distributören och återförsäljaren kan inte hållas ansvariga för ev. skador, som uppstår på grund av användning av delar som inte är original.



**VARNING:** Din cykel är, liksom alla mekaniska komponenter, utsatt för frekvent användning och slitage. Olika material och komponenter kan reagera olika på slitage och användning. Om en komponent används under längre tid än den uppskattade användningsperioden, kan detta leda till plötslig svikt och personskada. Alla former av repor, slitage eller färgförändringar på dessa förslitningsdelar indikerar, att användningsperioden har löpt ut. Den aktuella komponenten ska därför genast bytas ut.

## Förslitningsdelar

Följande förslitningsdelar bör kontrolleras regelbundet:

- Däck och slangar
- Kedja, kuggjul och kedjering
- Bremsklossar
- Bremskivor
- Kullager
- Sadel och grepp

Kontrollera att alla skruvar och muttrar är ordentligt fastspända. Se avsnittet: Moment (torque Nm).

## Smörjning

För att säkerställa effektiv funktion och en lång livslängd kräver vissa delar regelbunden rengöring och smörjning. Olja, fett och andra smörjmedel SKA hållas borta från fälgar, bromsar, bromsklossar och bromsskivor.



**OBSERVERA:** Kolkomponenterna får under inga omständigheter monteras med fett eller andra smörjningsmedel, då detta kan minska friktionen mellan dem och därför leda till materialskador på grund av högre moment. Använd endast en lämplig monteringspasta, när du monterar kolkomponenterna. Detta ökar friktionen mellan komponenterna, och förhindrar därmed materiella skador.

Delar, som ska smörjas	När ska de smörjas	Vilken typ av smörjmedel
Kedja	Efter rengöring, efter cykeltur i regn, efter ca 300 km	Kedjaolja
Växelkablar	Vid nedsatt funktion eller ca. en gång om året	Silikonfritt fett
Alu-sadelstolpe på alu-ramen	Vid montering	Monteringsfett
Bakre derailleurförbindelser	Vid nedsatt funktion eller ca. en gång om året	Sprayolja

### Reparation av punktering

Byte av däck efter punktering skiljer sig inte mycket från däckbyte på traditionella cyklar. Endast bakhjulet kräver extra uppmärksamhet, vid montering/borttagning. Denna anvisning förutsätter att man är väl bekant med reparationer / däckbyte.

Om detta inte är fallet för dig, ska du kontakta din lokala Coboc-återförsäljare.



**WARNING:** Stäng av din Coboc-cykel ("Bike Off") och lyktorna! Inför all typ av underhåll eller reparationsarbete, ska du se till, att din Coboc-cykel är släckt. Fara för strömförande delar samt att motorn oväntat startar under reparationen. Fara för personskador.

### Borttagning av bakhjul

- Byt till den högsta växeln på det lägre kugghjulet. Den bakre växelföraren har ett låssystem, som gör det möjligt att ta bort bakhjulet. Tryck bara handtaget framåt, och tryck på låsknappen (1). Handtaget ska nu låsa på plats, och det bör inte vara någon spänning på kedjan längre.
- Koppla bort motorkontakten (2) och frigör kabelhållaren i motorns riktning (3).
- Ta bort plasträttarna (4) på axelmutterarna.
- Lossa axelmutterarna med en skiftnyckel (18mm). Se upp så, att inte bakhjulet okontrollerat faller ut från sin plats, så snart du har lossat skruvarna.
- Du kan nu ta bort bakhjulet helt.
- Byte av däcket sker nu på samma sätt som på en traditionell cykel.



## Montering av bakhjul

Montering av bakhjulet sker i omvänd ordning av borttagning. Följande punkter bör beaktas:



**OBSERVERA:** Torque-support (distansskivan) ska återinstalleras längs bakhjulet. Distansskivan placeras så den taggiga delen vänder in mot dropout. Tappen på skivan vänds därmed ut mot den öppna delen. Att glömma eller helt avstå från att installera distansskivan kan orsaka att motorn roterar bakaxeln, vilket kan orsaka allvarliga skador eller fall.

Spänn hjulmuttrarna ordentligt. Se avsnittet Moment (torque Nm). Lösa hjul är stor fara för både dig och cykeln.



**WARNING:** Glöm inte att låsa upp låssystemet på den bakre växelföraren genom att skjuta handtaget lätt framåt och därefter frigöra den bakåt igen. Annars är det inte tillräcklig spänning på kedjan, vilket kan resultera i fall.

## Justering av bromsar

En viktig förutsättning för en säker körning är en korrekt justering av bromsarna. Cykla aldrig på din Coboc-cykel, om bromsarna inte fungerar eller inte är korrekt inställda. Om du inte har de kvalifikationer som krävs för att justera dina bromsar, ber vi dig kontakta din Coboc-återförsäljare.

## Kontroll av bromssystemet

Skjut din Coboc-cykel framåt, medan du drar i handbromsen. Om allt, är korrekt justerat, ska bakhjulet blockeras. Om du använder frambromsen, ska ditt bakhjul lyfta sig över marken. Det får inte vara glapp i styret. Handbromsarna ska bara dras halvvägs vid denna kontroll.

## Kontroll av bromsok

Du kan minimera eller klara en slipning av bromsskivan genom en

anpassning av bromsoket. Om bromsskivan deformeras på grund av extern påverkan, ska bromsskivan bytas ut. Kontakta din lokala Coboc-återförsäljare.

Du kan justera bromsoket genom att lossa båda skruvarna (6). Öppningarna i oket möjliggör en justering av bromsskivan på ramen eller via monteringsadaptern på gaffeln. Se till, att hjulet är installerat i korrekt position innan justeringen utförs.

Nu kan oket justeras, så det löper centrerat mellan båda bromsklossarna, utan att a direkt kontakt med dem. Se till, att oket inte flyttar sig, när det skruvas fast igen.

Alternativt kan du justera bromsoket över bromsskivan genom att dra i handbromsen. Bromscylinderkolven kommer därmed i kontakt med skivan via bromsklossarna och justerar det löst spända bromsoket i mitten över bromsskivan. Medan handbromsen är åtdragen, ska du nu spänna skruvarna (6) igen och se till, att oket inte flyttar sig.

Kom ihåg rätt vridmoment (se avsnitt: Vridmoment) när du drar åt skruvarna (6).



**WARNING:** Ett felaktigt åtdraget bromsok kan leda till ett fullständigt stopp i bromssystemet. Fara för person- och/eller produktskada. Om du är osäker på funktion och/eller montering av ditt bromssystem, får cykeln inte användas förrän den är kontrollerad av en Coboc-återförsäljare eller en auktoriserad fackman.



## Underhåll

### Kontroll av bromsklossar

Bromsklossarna är förslitningsdelar på din Coboc-cykel. Därför ska du regelbundet kontrollera dem för slitage. Använd endast originaldelar för utbyte av friktionskomponenter. Annars kan bromsfunktionen bli påverkad, och det uppstår fara för skador. Använd endast monteringsbromsklossar till fälgar / skivbromssystemet för att säkerställa den önskade bromseffekten.



**WARNING:** Var noga med att inte spillta olja eller fett på bromsklossar, bromsskivor eller fälgbromsar, då detta reducerar bromseffekten. Se till, att byta friktionskomponenterna, om detta är fallet.

**Skivbromsar:** Slitage på skivbromsarna ses normalt bara, när bromsoket är borttaget. Därmed kan du bedöma, hur mycket det är kvar av bromsklossen på stödplattan. Bromsklossarna ska bytas, om de är tunnare än 0,5 mm. Eftersom detta är en säkerhetsrelevant komponent, bör bytet utföras hos din lokala cykelhandlare.



**WARNING:** Rör aldrig vid en roterande bromsskiva. Fara för personskada. På grund av frekvent användning kan både bromsskiva och bromsok vara mycket varma. Se till, att alla delar är tillräckligt svala innan du rör vid dem. För ytterligare information ber vi dig kontakta din lokala Coboc-återförsäljare eller besöka bromstillverkarens hemsida.

### Kontroll av fälgar

Kontrollera fälgarna regelbundet - särskilt i början av en säsong. Kontrollera både insidan (under fälgtejpén) och utsidan för eventuell materialutmattning och slitage på material, såsom sprickor, deformationer, avskalning etc.

Om fälgarna deformeras på grund av hård påverkan måste de bytas ut omedelbart. Underlåtenhet att göra det kan leda till allvarlig personskada på grund av ekerspänning och ekerskador.

### Växelsystem (Derailleur)



**WARNING:** Fara för person- och/eller produktskada i händelse av felaktig justering eller uttjänta växelkomponenter.

Se till, att växelsystemet kontrolleras av en auktoriserad fackman för eventuell justering eller utbyte. Kontakta din lokala Coboc-återförsäljare, om något av följande problem uppstår:

- Kedjan hoppar eller faller av kedjeringen
- Enkelkedjiga leder, kedjering eller kugghjul är utslitna eller defekta
- Växelbyte fungerar inte korrekt
- Den bakre växelföraren eller derailleur eller andra växelkomponenter är defekta eller lösa
- Ovanliga oljud under cykling eller växelbyte

Ändring i inställningarna för spänning eller begränsningsskruvar i växelsystemet ska göras i mycket små steg och med stor försiktighet. Felaktig justering kan leda till, att kedjan hoppar av. Fara för person- och/eller produktskada. Om du är osäker ska du kontakta din lokala Coboc-återförsäljare och be dem att justera detta åt dig.



## Justering av växelsystemet

Den korrekta spänningen för växelkblar: Byt till högsta växeln på det lägsta kugghjulet. Skjut nu den stora växelbytare till den första utlösaren, medan du rör veven för att få kedjan att löpa från det låga kugghjulet. Om kedjan överhuvudtaget inte rör sig eller inte löper hela vägen upp, ska spänningen på växelkabeln ökas.

Lossa justeringskruven (1) moturs. Se till, att justeringskruven aldrig skruvas bort helt från växelbytare.

Om kedjan genast hoppar till det tredje lägsta kugghjulet, ska spänningen på växelkabeln reduceras. Dra åt justeringskruven lätt medurs.

För en ren och tyst kedjekörning bör det övre kugghjulet gå smidigt igenom kedjeringen i en imaginär vertikal linje längs skiftaren med alla växlar (se den röda linjen på figuren till vänster), när kedjan motvilligt kan byta till en annan växel under cykelturen.

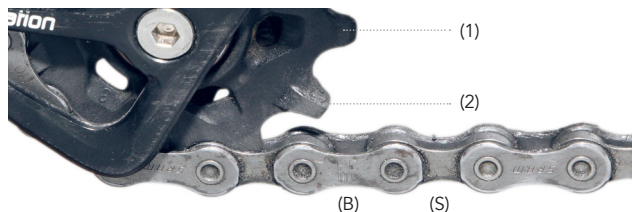
För en optimal växelfunktion ska du se till, att alla strömförande komponenter är ordentligt smorda. Om kedjedriften avger ljud i något av kugghjulen, kan detta vara tecken på ett fel. Kontakta din lokala Coboc-återförsäljare om du är osäker.



## Underhåll

### SRAM X-SYNC drivsystem

Det mekaniska drivsystemet på din TEN Merano-cykeln är baserat på SRAM X-SYNC™-teknologi. Denna teknik möjliggör en perfekt körning genom bladet och bakväxeln.



Blad och bakväxel består av tänder som varierar i bredd. Den breda tanden (1) passar perfekt i den breda delen (B) i kedjan. Den smala tanden (2) passar precis i den smala delen (S) av kedjan. Detta ger möjlighet för perfekt kedjekörning och kedjan kan inte hoppa av.



**WARNING:** Om kedjan inte är på rätt plats på bladet, glider den igenom om den skjuts in i pedalerna.



**WARNING:** Om kedjan inte är på rätt plats på bakväxeln, fungerar inte växelbytet korrekt, och ett rasslande ljud hörs. Risk för person- och/eller produktskada.

### Kontroll/justering av headset-styrjusteringslager

Kontrollera glappet på styrjusteringslagerna. För att göra detta, ska du samtidigt dra i båda handbromsarna så mycket det går, medan du skjuter cykeln fram och tillbaka ett par gånger. Styret ska kunna röra sig en aning från vänster till höger, men glappet ska vara så litet som möjligt. Om det är för stort glapp, lossas de två skruvarna (2) igen. Spänn långsamt skruven (3), tills lagret inte längre har för stort glapp. Spänn därefter skruvarna (2) igen.



**OBSERVERA:** Spänn inte skruvarna för hårt (3), då detta kan skada styrjusteringslagren. Om det bara är styret, som vrids, kan det betyda att skruven (3) är för hårt åtdragen. Om detta är orsaken, lossas skruvarna (2), varefter skruven (3) lossas en aning. Spänn därefter skruvarna (2) igen.



Coboc arbetar ständigt med elcyklarnas framtid. Detta resulterar i intelligenta produkter, som gör tekniska framsteg.

Med Coboc-appen får du ännu fler funktioner tillgängliga.

Du kan ladda ner Coboc-appen gratis via App Store eller Google Play.

Då vi konstant förbättrar och utvecklar appen, kan du hitta mer information på: <https://www.coboc.biz/en/the-coboc-app/>



**FÖRSIKTIGT:** Tyvärr kan vi inte garantera, att appen fungerar med alla smartphones. Observera, att kontinuerligt användande av GPS i bakgrunden kan reducera batteriets livstid väsentligt.



**FÖRSIKTIGT:** Mobiltelefonen kan monteras på styret, när den används som navigationsenhet. Men du ska stanna cykeln helt, om du ska använda appen eller på annat sätt använda telefonen.

Innan du använder Coboc-appen på allmänna vägar, ska du läsa gällande lagar och förordningar.

Generellt är användande av mobiltelefoner på cyklar förbjudet.

Mjukvaran i din Coboc-cykel innehåller en intern felsökning. Om det uppstår ett fel i elektroniken, avbryts drivsystemet automatiskt, och felet indikeras med blinkande LED-indikatorer på cykeln top tube. Sammanlagt finns fyra felkoder med följande innebörd:

En LED-indikator blinkar blått	Batterinivån är låg. Ladda batteriet.
--------------------------------	---------------------------------------

Två LED-indikatorer blinkar rött	Släck, och tänd din Coboc-cykel på nytt. Om felet uppstår upprepade gånger, ska du kontakta din Coboc-återförsäljare.
----------------------------------	---

Tre LED-indikatorer blinkar rött	Fel i den nedre rotationssensorn. Kontakta din Coboc-återförsäljare.
----------------------------------	--

Fyra LED-indikatorer blinkar rött	Fel i anslutningskabeln till motorn. Kontrollera motorns kontaktförbindelse. Släck din Coboc-cykel, och koppla från kontaktförbindelsen. Kontrollera den för defekter eller fukt. En felaktig kontakt ska repareras av din Coboc-återförsäljare eller auktoriserad fackman.
-----------------------------------	---

Torka delarna noggrant, om det har trängt in fukt i kontakten. Montera delarna igen. Tänd din Coboc-cykel. Om felet uppstår upprepade gånger, ska du kontakta din Coboc-återförsäljare.

Kontrollera motorkabeln för skador. Om motorkabeln är skadad, får cykeln inte tändas. Öppna kontakter kan orsaka elektrisk stöt. Kontakta genast din Coboc-återförsäljare.

## Moment (torque Nm)

Kategori	Spänning / skruv	Verktyg	Moment Nm
Framhjul	Axelbult VR	Insexnyckel 6mm	8 Nm
Bakhjul	Axelbult HR	Gaffelnyckel 18 mm	25 Nm
Styre och frampinne	Frampinne (justeringsskruv)	Insexnyckel 5mm	5,2 Nm
Styre och frampinne	Frampinne (justeringsskruv, styre)	Insexnyckel 4mm	5,2 Nm
Styre och frampinne	Top cap	Insexnyckel 5mm	0,5-1 Nm
Styre och frampinne	Handbroms (justeringsskruv)	Insexnyckel 5mm	6-8 Nm
Bromssystem	Kaliber	Insexnyckel 5mm	5-7 Nm
Sadel	Sadelskruv	Insexnyckel 5mm	9 Nm
Sadel	Sadelstolpe (justeringsskruv)	Insexnyckel 4mm	5 Nm
Mekaniskt drivsystem	Blad	Insexnyckel 5mm	12 Nm
Mekaniskt drivsystem	Vevparti	Insexnyckel 8mm	40 Nm
Mekaniskt drivsystem	Bakväxel	Insexnyckel 5mm	10 Nm
Lösa delar	Pedaler	Insexnyckel 6mm	35 Nm
Lösa delar	Stödben	Insexnyckel 5mm	6 Nm
Framskärm	Framgaffel-dropout	Insexnyckel 3mm	2-2,5 Nm
Framskärm	Framgaffel-topp	Insexnyckel 4mm / gaffelnyckel 10 mm	4 Nm
Bakskärm	Tillbehör för ramme och väskhållare	Insexnyckel 3mm	2-2,5 Nm
Väskhållare	Sadelstag	Insexnyckel 4mm	4 Nm
Väskhållare	Dropout	Insexnyckel 4mm	4 Nm

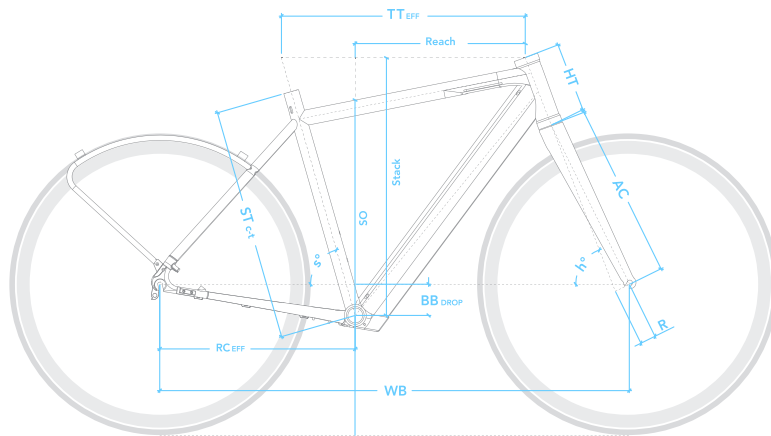
## Tekniska specifikationer

133

Ram	6000er Aluminium, invändiga kablar
Färg	Free Blue, metallic
Storlekar	S, M, L, XL
Väskhållare	Coboc integrerad sidoupphängning, avtagbar
Skärmar	Curana C-Lite, 55 mm
Gaffel	Carbon, straight design
Headset	Acros 3x forseglet
Batteri	Li-Ion, 36V, 380 Wh
Uppladdning	2 timmar
Räckvidd	70-100 km
E-drive	250 W / maks. 500 W
Framlykta	Supernova E-Bike Mini 2

Baklykta	Coboc Design, LED integrerad i ramen
Växel	SRAM GX, 1x11
Kassette	Sunrace CSMX8 11-gear, 11-42
Vevparti / Blad	Andel / 40T, narrow-wide, integreret kedjaskärmar
Bromsar	TRP TDK128, Hydrauliska skivbromsar, 160 mm
Sadel	Selle Royal Essenza Athletic
Sadelstolpe	Aluminium, 27.2 mm x 350 mm
Fälgar	Alexrims Volar 23 (650B)
Hjul	WTB Byway 650B (47x584)
Pedaler	Coboc URB, CNC Aluminium
Vikt	16 kg

## Ramgeometri



SIZE	STc-t	TTEFF	HT	h°	s°	R	AC	RCEFF	WB	BBdrop	Reach	Stack	SO
S	498	529	145	69,5	75	45	407	444	1060	72	376	569	732
M	530	557	165	70	74	45	407	444	1075	70	389	588	760
L	560	596	185	71	73,5	45	407	444	1099	70	416	611	788
XL	590	635	205	71,5	73	45	407	444	1127	70	442	632	814

**STc-t** seat tube length center to top

**SO** standover height

**TTEFF** effective top tube length

**HT** head tube length

**BBdrop** bottom bracket drop

**RCEFF** chain stay length

**WB** wheelbase

**h°** head tube angle

**s°** seat tube angle

**R** rake

**AC** fork length

**Stack** vertical length BB to top of HT

**Reach** horizontal length BB to top of HT

Rekommenderad ramstorlek, Str. **S** = 158 – 170 cm, Str. **M** = 168 – 180 cm, Str. **L** = 178 – 190 cm, Str. **XL** = 188 – 200 cm

Generella villkor för reklamationsrätt för Coboc GmbH & Co. KG's köpare/slutkonsumenter /härefter kallade "kunden").

Alla användar- och säkerhetsanvisningar i denna bruksanvisning ska följas för att kunna säkerställa optimal körglädje samt många års livstid för cykeln. Att följa anvisningarna är en förutsättning för giltigheten av reklamationsrätten och dess villkor. Vi rekommenderar, att du registrerar din produkt inom 14 dagar på [www.coboc.biz/en/warranty/](http://www.coboc.biz/en/warranty/).

Krav på brister mot Coboc GmbH & Co. KG's samarbetsparterns förblir opåverkad.

Inom nedanstående reklamationsrättsperiod garanterar Coboc GmbH & Co. KG komplett funktionalitet:

Ram	5 år
Motor och motorkontrollsystem	2 år
Batteri (defekt vid kapacitetförlust > 40 %)	2 år Max. 1000 uppladdningar
Laddare	2 år

I samband med en garantiservice förbehåller Coboc GmbH & Co. KG sig rätten att leverera eller montera andra, men motsvarande delar, när det byts komponenter.

Villkoren för garantikrav startar vid dokumenterat inköpsdatum.

För att kräva garantirättigheter ska den aktuella produkten skickas till en kvalificerad Coboc-återförsäljare eller Coboc (Heidelberg, Tyskland).

Om obehöriga ändringar görs i drivsystem, motor eller programvara bortfaller alla garantiförpliktelser från Coboc GmbH & Co. KG. Detta gäller inte byte av delar under garanti eller mjukvaruuppdateringar med den ursprungliga Coboc-firmware som utförs av kvalificerade Coboc distributionspartners.

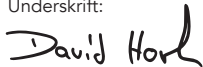
Tillverkarens garanti täcker inte democyklar, testcyklar och/eller begagnade produkter utsatta för slitage innan kundens köp.

Vi påtar oss ingen garanti för fel, som beror på felaktig förvaring. Vi påpekar särskilt att laddningsnivån för litiumjonuppladdningsbara batterier i våra e-cyklar bör kontrolleras regelbundet, och att de uppladdningsbara batterierna kan behöva laddas. Detaljer om detta finns i bruksanvisningen.

## Service

Du kan köpa originalreservdelar, även om reklamationsfristen har löpt ut. För begäran om service och reservdelar i Sverige kontaktas den butik där du har köpt elcykeln. Anmälan om reklamation kan även göras på [www.wittsverige.se](http://www.wittsverige.se) under fliken "Service" och "Ebikes".

## Försäkran om överensstämmelse

Tillverkare	Coboc GmbH & Co. KG Kurfürstenanlage 58 69115 Heidelberg Tyskland Tel: +49 ( 0 ) 6221 435 28 10
Bekräftelse för produkterna:	TEN Merano
Produktionsår:	2021
Överensstämmelse med alla relevanta bestämmelser i direktiven:	- (2006/42/EG) Maskiner - (2004/108/EG) Elektromagnetisk kompatibilitet
Följande harmoniserade standarder har tillämpats:	Cyklar med elektrisk hjälpmotor-EPAC-Cyklar Tysk version EN15194: 2017
Teknisk dokumentation:	Coboc GmbH & Co. KG Kurfürstenanlage 58 69115 Heidelberg Tyskland Tel: +49 ( 0 ) 6221 435 28 10
David Horsch (Executive Director)	Underskrift: 



**Coboc GmbH & Co. KG**

Kurfürstenanlage 58  
69115 Heidelberg  
Tyskland  
Tel: +49 (0) 6221 435 28 10

[www.coboc.biz](http://www.coboc.biz)



**Onnittelut uuden Coboc-sähköpyöräsi johdosta.**

**TEN Merano**

Tuotemerkkimme edustaa kestäväää muotoilua ja maksimaalista toiminnallisuutta. Me poikkeamme mielellämme traditioista, kunhan asiakkaamme ovat iloisia ja tyytyväisiä sähköpyöriimme.

On tärkeää, että luet koko käyttöohjeen, ennen kuin otat uuden Coboc-pyöräsi käyttöön. Käyttöohje sisältää olennaista tietoa, joka on tärkeää turvallisuudellesi. Turvallisuusohjeiden puutteellinen noudattaminen voi johtaa vakaviin onnettomuuksiin sekä henkilö- ja tuotevahinkoihin.

Pidä huoli siitä, että kaikki Coboc-pyöräsi käyttävät, korjaavat tai huoltavat ja sen hävittäjä lukevat ja ymmärtävät koko käyttöohjeen.

Jos sinulla luettuasi käyttöohjeen on käyttöä koskevia kysymyksiä, pyydämme ottamaan yhteyttä paikalliseen Coboc-myyntälään. Tämä käyttöohje on tärkeä osa Coboc-pyöräsi ja sen ohjeet sopivat ainoastaan tähän pyöräsi.

Muista säilyttää käyttöohje varmassa tallessa.

Varmista, että tunnet voimassa olevat lait, ennen kuin käytät Coboc-pyöräsi yleisillä teillä. Tämän oppaan sisältöä voidaan muuttaa ilman ennakoilmoitusta.

Löydät lisätietoja täältä: [www.coboc.biz](http://www.coboc.biz)  
Toivotamme upeaa sähköistä kokemusta.

Coboc-tiimi



Katsaus TEN Merano .....	Sivu 142	Kunnossapito .....	Sivu 155
Turvallisuusohjeet .....	Sivu 143	<ul style="list-style-type: none"> <li>• Puhdistaminen ja hoito</li> <li>• Hiilikomponenttien turvallisuusohjeet</li> <li>• Hiilikuituosien erityisominaisuudet</li> <li>• Hiilikuituosien huolto</li> <li>• Huolto</li> <li>• Kuluvat osat</li> <li>• Voitelu</li> <li>• Puhjetteen renkaan korjaus</li> <li>• Takapyörän asennus/irrotus</li> <li>• Jarrujen säätäminen</li> <li>• Jarrujärjestelmän testaus</li> <li>• Vannejarrujen hienosäätö</li> <li>• Vannejarrujen karkea säätö</li> <li>• Jarrupalojen testaus</li> <li>• Vanteiden tarkistus</li> <li>• Vaihteisto</li> <li>• Vaihteiden säätö</li> <li>• SRAM X-SYNC -ajojärjestelmä</li> <li>• Ohjainlaakerin tarkistus/säätö</li> </ul>	
Pikaopas .....	Sivu 144		
Lainsäädäntö .....	Sivu 146		
Käyttöalue .....	Sivu 147		
<ul style="list-style-type: none"> <li>• Coboc-pyöräsi suurin kuormitus</li> <li>• Laukkupidikkeet</li> <li>• Pyöräkärri</li> <li>• Lastenistu</li> </ul>			
Ennen jokaista ajomatkaa .....	Sivu 148		
Käyttöönotto .....	Sivu 149		
<ul style="list-style-type: none"> <li>• Cobocin sähköisen käyttöjärjestelmän käyttö</li> <li>• Valot</li> <li>• Näin käytät jarruja</li> <li>• Avustuksen taso</li> <li>• Kaksi ajotilaa</li> <li>• Vaihdevivut</li> </ul>			
Akku ja laturi .....	Sivu 152		
<ul style="list-style-type: none"> <li>• Ajomatka</li> <li>• Akun lataus</li> <li>• Säilytys</li> <li>• Kuljetus</li> <li>• Hävittäminen</li> </ul>			
		Coboc-sovellus .....	Sivu 165
		Virhekoodit .....	Sivu 165
		Kiristysmomentit (Nm) .....	Sivu 166
		Tekniset tiedot .....	Sivu 167
		Runkogeometria .....	Sivu 168
		Takuu .....	Sivu 169
		Huolto .....	Sivu 169
		Vaatimustenmukaisuusvakuutus .....	Sivu 170

## Katsaus TEN Merano



Ohjausyksikkö  
Virtapainike, Bluetooth ja latausportti

Top Tube

Integroitu takavallo

Moottori

Vaihejärjestelmä  
(11 vaihdetta)

Moottorin virtajohto

Ohjainkannatin

Kahvat käsijarrulla ja vaihdevivulla

Etuvalo

Headset

Runkoon integroitu  
Coboc-sähkömoottori

Keskiö vääntö-  
momenttianturilla

Polkimat

On tärkeää, että luet koko käyttöohjeen, ennen kuin otat uuden Coboc-pyöräsi käyttöön. Käyttöohje sisältää olennaista tietoa, joka on tärkeää turvallisuudellesi.

Turvallisuusohjeiden puutteellinen noudattaminen voi johtaa vakaviin onnettomuuksiin sekä henkilö- ja tuotevahinkoihin. Jos lainaat pyöräsi, sinun on varmistettava, että ne, jolle lainaat ovat myös lukeneet ja ymmärtäneet käyttöohjeet, ennen kuin he käyttävät pyörää. Käyttöohjeet on säilytettävä varmassa tallessa, ja niiden on oltava käytettävissä helposti.

Aja vastuullisesti – pyöräilijät ovat jatkuvasti alttiina vaaroille, erityisesti yleisillä teillä. Suosittelemme, että käytät aina pyöräilykypärää. Kypärä on säädettävä oikein niin, että se istuu päähäsi täydellisesti. Noudata pyöräilykypärän valmistajan ohjeita.

Sinun pitäisi pukeutua vaaleisiin vaatteisiin, jossa on heijastimet, jotta näkyisit liikenteessä. Varmista, etteivät housun lahkeet ole niin löysät, että ne voivat jäädä pyörien väliin. Käytä tarvittaessa lahkeissa kiinnikkeitä. Henkilö- ja tuotevahingon vaara, jos vaatteet jäävät pyörän väliin.

Ota huomioon lisääntynyt suorituskyky. Sähkömoottorin takia Coboc-pyöräsi suorituskyky on huomattavasti suurempi kuin perinteisen polkupyörän. Sen takia muun muassa saavutetaan suurempi huippunopeus, mutta samalla takapyörään tulee suurempi vääntömomentti. Sen seurauksena renkaat voivat erityisesti märällä pinnalla luistaa.

Totuttele Coboc-pyöräsi käyttöön. Coboc-pyörän erityisominaisuudet vaativat, että tutustut niihin turvallisella ja avoimella alueella, jossa on riittävästi tilaa. Käytä Coboc-pyöräsi julkisilla teillä vasta sitten, kun hallitset pyöräsi täysin.

Merkkien selitykset: selkeämpää luettavuutta varten käyttöohje sisältää alla olevat symbolit:



INFO: Tämä merkki korostaa tärkeitä tietoja ja hyviä neuvoja.



VAROVASTI: Tämä merkki varoittaa sinua väärästä käytöstä, joka voi aiheuttaa ympäristön saastumiseen, Coboc-pyöräsi vahingoittumisen tai muun aineellisen vahingon.



VAROITUS: Tämä merkki ilmoittaa pyörän väärästä käytöstä johtuvasta mahdollisesta terveysuhasta ja/tai kuoleman vaarasta.

## Pikaopas

### Mitä pakkaus sisältää

- TEN Merano
- Laturi
- Coboc URB-polkimet
- Kuusiokoloavain
- Käyttöohjeet
- Heijastimet ja soittokello

### KOKOAMINEN

Coboc-pyörä on jo toimitettaessa melkein kokonaan koottu. Ohjaustanko ja polkimet ovat kuitenkin vielä irti. Siksi on erittäin tärkeää, että luet käyttöohjeen ennen ensimmäistä käyttöönottoa. Huomioi erityisesti turvallisuusohjeet ja kappale: *Kiristysmomentit (Nm)*.

#### Rengaspaineen tarkistus

Tarkista rengaspaine ennen jokaista käyttöä. Optimaalinen rengaspaine ilmoitetaan renkaan sivulla, ja se voi vaihdella renkaan mallin mukaan.



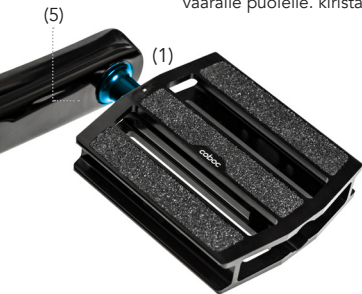
**VAROITUS:** Rengaspaine ei saa koskaan laskea alle 35 psi. Tuotevaurion vaara.

#### Polkimien kiinnitys

Voitele kummankin polkimen akselin kierre (5), ennen kuin ruuvaat polkimet kiinni.



**VAROITUS:** polkimien akselikierreet ovat erilaiset ja ne on kiinnitettävä omalle puolelleen. oikeanpuoleisen polkimen akselikierre on oikealla puolella, kun taas vasemmanpuoleisen polkimen akselikierre on vasemmalla puolella. tuotevaurion vaara, jos polkimet asennetaan väärälle puolelle. kiristä kumpikin poljin kunnolla.



#### Ohjaustangon ja ohjainkannattimen säätö

Avaa kumpikin ruuvi (1) mukana toimitetulla kuusiokoloavaimella. Säädä ohjaustanko niin, että ohjainkannatin ja etupyörä ovat samassa linjassa. Kiristä ruuvit (1) uudelleen. Avaa sitten ohjainkannattimen neljä ruuvia (3). Käännä ohjaustanko haluamaasi ajoasentoon ja kiristä sitten ruuvit. Katso, että kiristä kaikki neljää ruuvia (2) yhtä paljon.

#### Käsijarrujen säätö

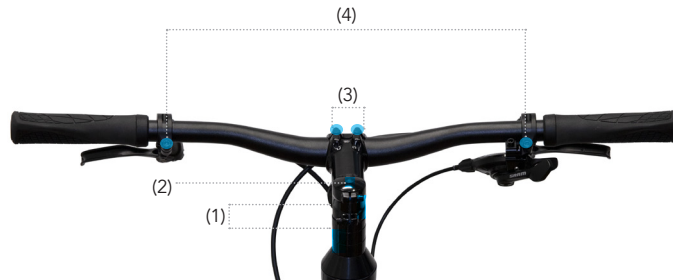
Avaa säätöruuveja (4), ja säädä käsijarru sinulle parhaaseen oteasentoon. Jarruttamisen pitää olla sekä miellyttävää että varmaa. Kiristä säädön jälkeen säätöruuvit (4) uudelleen.

#### Ohjainlaakereiden tarkistus/säätö

Tarkista ohjainlaakereiden välitys. Tee se vetämällä samanaikaisesti kumpikin käsijarru aivan pohjaan samalla, kun työnät muutaman kerran pyörää eteen ja taakse päin. Ohjainlaakerin pitää voida liikkua aavistuksen vasemmalta oikealle, mutta väljyyden pitää pysyä minimissä. Jos välitys on liian suuri, avaa kahta ruuvia (1) uudelleen. Kiristä hitaasti ruuvia (2), kunnes laakerilla ei enää ole liikaa välystä. Kiristä sitten jälleen ruuvit (1).



**HUOMAUTUS:** Älä kiristä ruuvia (2) liikaa, koska se voi vahingoittaa ohjainlaakereita. Jos vain ohjaustanko kääntyy, voi olla, että ruuvia (2) on kiristetty liikaa. Jos näin käy, avaa ruuveja (1) ja löysää sitten hieman ruuvia (2), kiristä lopuksi ruuvit (1) uudelleen.





## SÄHKÖINEN COBOC-KÄYTTÖJÄRJESTELMÄ



### Pyöräsi käynnistys/sammutus

Käynnistä Coboc-sähköinen käyttöjärjestelmä painamalla lyhyesti virtapainiketta (7), joka on sijoitettu pyörän ohjausyksikköön pyörän vaakaputken alapuolelle. LED-näytössä (6) syttyy vähintään yksi valo, joka osoittaa Coboc-pyöräsi akun varaustasoa. Mitä enemmän poljet, sitä enemmän avustusta pyörä tarjoaa. Jos lopetat polkemisen, myös moottoriavustus lakkaa.



**VAROITUS:** Sähköavustuksen ansiosta, liikut tiellä paljon nopeammin ja dynaamisemmin kuin mihin olet tottunut tavallisella polkupyörällä. Siksi suosittelemme, että käytät riittävästi aikaa uuteen ajotapaan totutteluun.

### Akun varaus – Palavien LED-valojen määrä

- 5 LED-valoa palaa sinisenä – 80 – 100 % akun varausta
- 4 LED-valoa palaa sinisenä – 60 – 80 % akun varausta
- 3 LED-valoa palaa sinisenä – 40 – 60 % akun varausta
- 2 LED-valoa palaa sinisenä – 40 – 20 % akun varausta
- 1 LED-valo palaa sinisenä – 1 – 20 % akun varausta

### Vikakoodit – vilkkuvat LED-valot

- 4 LED-valoa palaa punaisena – moottorin johdinvika
- 3 LED-valoa palaa punaisena – Vika vääntömomenttianturissa
- 2 LED-valoa palaa punaisena – Muu vika
- 1 LED-valo palaa sinisenä – Akun varaus matala

### Valon syyttäminen/sammuttaminen

Coboc-pyöräsi on varustettu valoin. Voit syyttää ja sammuttaa ne painamalla virta-painiketta (7) 3 sekuntia. Tämä on mahdollista silloinkin, kun Coboc-käyttöjärjestelmä on sammutettu.

## AJAMINEN

Coboc-pyöräsi kulkee kuten perinteinen polkupyöräkin – vain paljon dynaamisemmin. Mitä enemmän poljet, sitä enemmän pyörä tarjoaa avustusta. Jos lakkaat polkemasta, myös moottoriavustus loppuu.



**VAROITUS:** Tulet kulkemaan Coboc-pyörälläsi paljon vauhdikkaammin kuin mihin olet tottunut. Siksi suosittelemme käyttämään riittävästi aikaa tähän uuteen ajotyyliin totutteluun.



**INFO:** Jos tunnet, että moottoriavustus tulee liian aikaisin tai liian myöhään, kovin pienellä tai kovin voimakkaalla paineella polkimiin, ota huomioon, että voit aina kalibroida vääntömomenttianturin uudelleen. Käy sivulla <https://support.coboc.biz/> tai ota yhteys paikalliseen pyöräliikkeeseen.



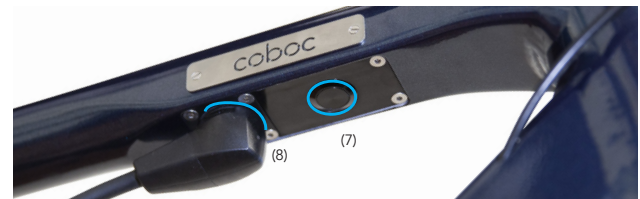
**INFO:** Jos käytön aikana ilmenee epäsäännöllisyyttä tai muuta vikaa, voit yrittää nollata järjestelmän. Tee se painamalla virtakytkintä (7) noin 20 sekunnin ajan. Pyöräsi ilmoittaa nollaamisesta vilkkuttamalla lyhyesti ledejä sinisenä ja sen jälkeen ne palavat vihreinä.

## Lataus

Latausportti (8) on sijoitettu heti virtapainikkeen (7) taakse pyörän ohjausyksikköön. Liitä vain magneettinen laturi, kun haluat aloittaa Coboc-pyöräsi lataamisen.

Akun lataaminen täyteen yhdestä prosentista sataan prosenttiin kestää normaalisti 2½ tuntia tavallisella Coboc 4A-laturilla. Jo kahden tunnin kuluttua akun lataus on 90 %, eli viimeinen 10 % kestää hieman kauemmin (puoli tuntia).

Ilmasto-olosuhteiden mukaan lämpötila on +5 °C ja +35 °C:n välillä. Kun lämpötila on nollassa tai sen alapuolella sekä silloin, kun se on +40 °C tai korkeampi, lataus ei akun suojaamiseksi ole käytettävissä.



## Lainsäädäntö

Sinun on aina noudatettava voimassa olevia lakeja ja säädöksiä, kun ajat Coboc-pyörälläsi. Alla on esitetty näistä vain otos, ja sinun on itse perehdyttävä voimassa oleviin lakeihin ja säädöksiin. Pidä jatkuvasti huoli siitä, että pysyt ajan tasalla, koska lainsäädännössä voi tapahtua muutoksia.

EU:n sisällä polkupyöriä, joiden moottoriapu on enintään 25 km/h ja moottorin jatkuva teho korkeintaan 250 wattia, koskevat samat säännöt kuin perinteisiä polkupyöriä. Sähköavustuksella varustettuihin polkupyöriin, jotka voivat saavuttaa suuremman huippunopeuden ja/tai moottoritehon, EU-direktiivin 2002/24/ EY mukaan rajoitetun suorituskyvyn mopoja. Tällaiset ajoneuvot vaativat tyyppihyväksynnän ja niitä koskee myös kypäräpakko ja vakuutusvelvollisuus.

Coboc-pyörät toimitetaan niin, että huippunopeus on 25 km/h ja moottoriteho 250 wattia vakiona, ja siksi ne on vapautettu tyyppihyväksynnästä EU-direktiivin 2002/24/EY nojalla.

Uuden 1.6.2020 voimaan astuneen tieliikennelain mukaan pyöräilijällä on Suomessa oltava seuraavat varusteet.

### Valot

Pimeällä, hämärällä tai kun näkyvyys on huono, on käytettävä valoja: etuvalo on valkoinen tai vaaleankeltainen ja takavallo punainen. Valot saa kiinnittää pyörään tai pyöräilijään. Tarkista valot säännöllisesti ja vaihda/ lataa paristot, kun valoteho heikkenee.

### Heijastimet

Pyöräsi pitää olla joka suunnasta näkyvä. Pyörässäsi täytyy olla heijastimet eteen, taakse ja sivulle: eteen valkoinen, taakse punainen ja sivulle keltaiset tai valkoiset.

Sivuheijastimet on oltava molemmin puolin ja sekä etu- että takapyörässä. Muista puhdistaa heijastimet pari kertaa vuodessa, jotta ne heijastavat mahdollisen hyvin. Vaihda heijastimet, jos ne menevät rikki.

### Äänimerkinantolaitte

Äänimerkin pitää kuulua kirkkaasti ja selvästi. Äänimerkinantolaitteen pitää olla kiinni ohjaustangossa. Se voi olla soittokello tai äänitorvi.

### Jarrut

Pyörässäsi pitää olla toimivat jarrut. Pyörässä, jossa on enemmän kuin kaksi vaihdetta, tulee olla kaksi erillistä tehokasta jarrulaitetta. Jarrulaitteiden jarrutustehon ja lujuuden tulee täyttää standardin SFS 5200 tai ISO 4210 jarruja koskevat vaatimukset.

Tarkista säännöllisesti, toimivatko jarrusi niin kuin niiden pitää, vai onko aika vaihtaa tai huoltaa ne.

### Muista ennakointi

Jokaisen pyöräilijän velvollisuus on opetella liikennesäännöt. Turvallinen tieliikenne syntyy siitä, että kaikki noudattavat yhteisiä sääntöjä ja viestivät selvästi aikeistaan.

Lain mukaan pyöräilijän tulee sopeuttaa nopeutensa olosuhteisiin, ja noudattaa huolellisuutta ja varovaisuutta. Aja aina vain sellaista vauhtia, että pystyt ennakoimaan kaikki tilanteet, joita saattaa tulla eteen.

### Älä pyöräile päihtyneenä! Käytä kypärää!

Vastuu liikenneturvallisuuden ylläpitämisestä Coboc-pyörälläsi on sinulla.

Lisää tietoa löydät esim. Traficom sivuilta:

[https://www.traficom.fi/sites/default/files/media/publication/Traficom\\_Pyöräilijän\\_Liikennesääntöopas\\_FL.pdf](https://www.traficom.fi/sites/default/files/media/publication/Traficom_Pyöräilijän_Liikennesääntöopas_FL.pdf)

## Coboc-pyöräsi suurin kuormitus

Älä ylikuormita Coboc-pyörääsi. Sallittua kokonaiskuormaa ei saa koskaan ylittää. Katso alla olevasta taulukosta maksimikuorma, joka sisältää kuljettajan, pyörän ja matkatavaroiden painon.

Ajajan maksimipainot	Pyörän paino	Ajajan enimmäispaino	Enimmäispaino/ laukkupidikkeet	Kärryn enimmäispaino
140 kg	16 kg	120 kg	10 kg + 10 kg	50 kg

Jos Coboc-pyörääsi kuuluu vakiona laukkutelineet, saa kumpaakin puolta kuormittaa enintään 10 kilolla. Huomautus: Pyörän suurinta kokonaiskuormitusta ei saa ylittää. Tarkista säännöllisesti, että rungon ja laukkipidikkeiden asennusruuvit on kiristetty kunnolla.



**VAROITUS:** Älä koskaan ota ketään kyytiin pyörääsi. Coboc-pyöräsi on suunniteltu ainoastaan yhdelle henkilölle. Poikkeus: Lasten kuljettaminen pyörällä joko lastenistuimessa tai pyöräkärjessä. Noudata paikallisia lakeja ja määräyksiä ja ota huomioon Coboc-pyöräsi sallittu enimmäiskuormitus.

## Pyöräkärri

Coboc-pyörällä voi vetää yksi- tai kaksipaikkaista pyöräkärriä. Kärri kiinnitetään pyörän runkoon KSA18-takahaarukkaan Weberin EU-litöntäkappaleella (1), eikä sen kokonaispaino saa ylittää 50 kg. Pyörän sallittua enimmäiskuormitusta ei saa ylittää silloinkaan, kun pyörässä on kärri, jota käytetään henkilöiden kuljetukseen. Lisätietoja saat Coboc-jälleenmyyjältäsi. Huomaa: Anna kärryn asennus aina ammattilaisen tehtäväksi.

## Lastenistuin

Coboc-pyörään voi asentaa lastenistuimen, joka kiinnitetään satulaputkeen kannattimella (esim. Römer Jockey). Käytä vain testattuja ja hyväksytyjä lastenistuinta, joissa on tämän tyyppinen kiinnitys. Lisätietoja saat Coboc-jälleenmyyjältäsi. Huomaa: Anna lastenistuimen asennus aina ammattilaisen tehtäväksi.



**VAROITUS:** Lastenistuimessa istuvan lapsen on aina käytettävä sopivaa pyöräilykypärää. Lapset eivät saa istua lastenistuimessa Coboc-pyörän ollessa pysäköitynä. Pyörä voi kaatua ja aiheuttaa henkilövahingon tai tuotevaurion.



**VAROITUS:** Coboc-pyörää ei ole tarkoitettu käytettäväksi äärimmäisissä olosuhteissa, kuten ajamiseen alas portaita tai ylös rampeja.

Jos Coboc-pyöräsi on varustettu lainsäädäntöä vastaavaksi, voit käyttää sitä yleisillä teillä. Katso kappaletta: Lainsäädäntö.

Huomaa myös, että tämän käyttöoppaan käyttö- ja hoito-ohjeiden noudattaminen on tärkeä osa Coboc-pyöräsi oikeaa käyttöä.



**VAROITUS:** Coboc-pyöräsi ei ole leikkikalua. Älä anna lasten käsitellä Coboc-pyörääsi ilman selkeää käyttöohjausta äläkä koskaan jätä heitä ilman valvontaa, kun he ovat lähellä pyörää. Sinun pitää kertoa lapsille niistä vaaroista, jotka liittyvät sähkölaitteiden käyttöön. Noudata sähkölaitteiden käytön alaikäraja.

## Ennen jokaista ajomatkaa



**INFO:** Ajajan korviin ei tule yli 70 dB(A) äänitasoa.

Coboc sekä sen jakelija tai myyjä eivät ota mitään vastuuta muusta käytöstä kuin pyörälle tarkoitettusta, eikä näitä voida pitää vastuullisena henkilö- tai tuotevahingoista, jotka syntyvät, jos tämän käyttöoppaan turvallisuusohjeita ei ole noudatettu.

Pidä huolta, että Coboc-pyöräsi on valmiina ajoon, ja että se on säädetty omaan pituuteesi sopivaksi. Satulan korkeus ja ohjaustangon asento on säädettävä oikein. Satulan pitää olla sinulle mukavalla ja turvallisella korkeudella.



**VAROITUS:** Itsellesi sopimaton runkokorkeus tai puuttuva hoito tai väärin tehty säätäminen voi johtaa hallinnan menettämiseen ja kaatumiseen. Vakavan loukkaantumisen ja/tai tuotevahingon vaara. Jos oikean runkokoon valinta on vaikeaa, tai olet epävarma siitä, miten Coboc-pyörä säädetään sinulle sopivaksi, ole hyvä ja ota yhteys paikalliseen Coboc-myymälään.

### Satulan säätäminen



**VAROITUS:** Satulaa ei saa koskaan asettaa korkeammalle kuin satulatolpan merkintään asti. Kaatumisen ja henkilö- ja/tai tuotevahingon vaara, jos satula nostetaan yli merkinnän. Coboc-pyöräsi takuu raukeaa, jos satula säädetään yli maksimikorkeuden. Valmistaja/jakelija/myyjä ei ole vastuussa henkilö- ja/tai tuotevahingoista, jos ohjetta ei noudateta.

Voit asettaa satulan kolmeen eri asentoon. Kun olet säätänyt asennon, varmista, että ruuvit satulan alla ja satulatolpassa on kiristetty kunnolla. Istu satulaan ja aseta toinen jalka polkimeen samalla kun asetat toisen jalan maahan. Paina nyt kantapäähän avulla poljinta varovasti, kunnes kampi on satulatolpan kanssa samassa linjassa. Jos seisot polkimella, mutta jalkasi ei ole kokonaan ojennettu, satula on asetettu liian matalalle. Ja toisaalta, jos joudut venymään ylettäksesi polkimeen tai sinun on työnnettävä lantiota eteenpäin, satula on asetettu liian korkealle. Löysää tarvittaessa satulatolpan ruuvia ja säädä satula oikealle korkeudelle. Kiristä sitten ruuvi uudelleen.

Varmista, että satula on pyörän vaakaputken suuntainen. Löysää tarvittaessa satulan ruuvia ja käännä satulaa oikealle tai vasemmalle. Kiristä ruuvi uudelleen. Voit myös säätää satulan kaltevuuden suhteessa pyörän vaakaputkeen. Avaa satulan ruuvia, säädä ja kiristä sitten ruuvi.



**VAROITUS:** Muista sallittu kiristysmomentti (Nm) näissä kaikissa vaiheissa. Katso kappaletta: Kiristysmomentit (Nm) ja pidä huoli siitä, että kaikki ruuvit kiristetään ennen kuin säädät satulan ja käytät Coboc-pyöräsi.

### Pyörän säännöllinen tarkistaminen

Tarkista, että Coboc-pyöräsi valot toimivat.

Sinun pitää ylettyä kumpaankin käsijarruun vaivattomasti. Varmista myös, että tiedät, mihin jarruun kumpikin käsijarru kuuluu. Vakiona oikea käsijarru kuuluu takajarruun ja vasen käsijarru etujarruun. Ota huomioon, että jarrutusmatka pitenee ja että pyörät voivat lukittua nopeammin, jos alusta on märkä.

Varmista, että satula, ohjaustanko ja jarrut on kiristetty kunnolla. Katso kohta: Kiristysmomentit (Nm). Jos olet epävarma, yritä kääntää satulaa, ohjaustankoa tai jarruja. Mikään niistä ei saa liukkuu. Muista myös tarkistaa säännöllisesti kaikki muutkin ruuvit ja kiristä ne oikein. Katso, että rungossa ja haarukassa ei ole vaurioita.

Tarkasta säännöllisesti jarrujen kitkakomponentit kulumisen varalta. Katso kohta: *Huolto*.

### Jarrujärjestelmän testaus

Työnnä Coboc-pyöräsi eteenpäin samalla, kun käytät takajarrua. Jos kaikki on säädetty oikein, takapyörän pitää pysähtyä. Jos käytät etujarrua, takapyörän pitää nousta irti maasta. Ohjauksessa ei saa olla välilyyntä eikä heittoa. Tässä testissä käsijarruja painetaan vain puoliväliin.

## Renkaiden tarkistus

Tarkista pyörät ja rengaspaineet! Tarkista pyörät ja vanteet kulumisen, vaurioiden, halkeamien, vääntymisen tai renkaisiin mahdollisesti puristuneiden pienten esineiden varalta (esim. lasimurska). Suosittelemme, että käytät sopivaa pyöräpumppua, jossa on oma painemittari. Optimaalinen rengaspaine ilmoitetaan renkaan sivulla ja voi vaihdella renkaan mallin mukaan. Epäselvissä tapauksissa tai jos käytät muita kuin vakiovarusteena toimitettuja komponentteja, kysy renkaan valmistajalta oikea rengaspaine. Jos rengaspaine on liian matala, puhkeamisen riski on suurempi. Se voi myös aiheuttaa vanteisiin pysyviä vaurioita.

Jos paine on liian korkea, sekä renkaat että vanteet voivat vaurioitua. Joka tapauksessa väärä rengaspaine voi aiheuttaa kaatumisia.



**VAROITUS:** Jos et ole varma siitä, onko Coboc-pyöräsi teknisesti turvallisessa kunnossa, sinun ei pidä käyttää sitä. Ota sen sijaan yhteyttä paikalliseen Coboc-jälleenmyyjään tai huoltokumppaniin ja pyydä heitä tarkistamaan pyörän kunto ennen kuin ajat uudelleen.



**VAROITUS:** Rengaspaine ei saa koskaan laskea alle 35 psi. Tuotevaurion vaara.

Jos käytät Coboc-pyöräsi paljon, pidä huoli siitä, että pyöräsi takistetaan säännöllisesti. *Katso kappaletta: Kunnossapito.*



**INFO:** Varmista ennen pyöräilyä, että akun varaustaso on riittävän korkea suunnittelemalesi matkalle. *Katso kappaletta: Akun varaus.*

Oletamme, että Coboc-pyörän käyttäjänä sinulla on riittävät perustiedot pyöräilystä perinteisellä polkupyörällä. Jos näin ei ole, suosittelemme ensin harjoittelua pyörällä ilman moottoriavustusta. Voimakkaan kiihtyvyyden ja suuremman enimmäisnopeuden takia suosittelemme, että hallitset varmasti tavallisen polkupyörän ennen kuin ajat sähköpyörällä.

Tututtele Coboc-pyöräsi käyttöön. Coboc-pyörän erityisominaisuudet vaativat, että tutustut niihin erilaisilla alustoilla. Pidä huoli, että hallitset pyöräsi täysin, ennen kuin ajat sillä julkisilla teillä.

## Cobocin sähköisen käyttöjärjestelmän käyttö

Coboc-pyörässä on kaksi ajotilaa:

”Bike Off” / ajaminen ilman moottoriavustusta: Voit käyttää Coboc-pyöräsi perinteisenä polkupyöränä ilman moottorin apua. Mikään pyörän vaaka-putken viidestä LED-merkkivalosta ei pala. Kun pyörää ei käytetä tai kun se on jätetty säilytykseen, Coboc-pyöräsi on asetettava ”Bike Off”-asentoon.

”Bike On” / ajaminen moottoriavustuksella: Aktivoi moottoriavustus painamalla virtapainiketta. Kun viisi LED-merkkivaloa syttyy, moottoriavustus on otettu käyttöön. Kun avustus on käytössä, LED-merkkivalot osoittavat akun varauksen. Suurin nopeus avustuksella on 25 km/h.

## Moottoriavustuksen sammutus

Paina virtapainiketta. Huomautus: Coboc-pyöräsi sammuu automaattisesti kolmen minuutin käyttämättömyyden jälkeen.

## Käyttö

### Valojen käyttäminen

Coboc-pyöräsi on varustettu integroidulla valojärjestelmällä, jota ohjataan virtapainikkeella. Valo syttyy tai sammuu, kun pidät virtapainiketta pohjassa kolme sekuntia. Valoja voidaan käyttää sekä "Bike On" että "Bike Off"-tiloissa ja ne sammuvat automaattisesti, kun pyöräsi on ollut käyttämättä yli neljä minuuttia.

Huomautus: Valoja voit käyttää jopa kahden tunnin ajan akun purkautumisen jälkeen.



## Perehdy jarrujärjestelmään

Huolehdi siitä, että tiedät mikä käsijarru jarruttaa mitään rengasta. Vakiona oikea käsijarru liittyy takajarruun ja vasen käsijarru eturenkaan jarruun. Tarkista jarrujen kitkakomponentit säännöllisesti kulumisen varalta. Katso kappaletta: *Kunnossapito*.

On tärkeää, että tarkistat, onko vanteen jarrupaloissa kulumia. Muista myös tarkistaa jarrukenkien jarrupalat kulumien varalta. Katso kappaletta: *Kunnossapito*. Näiden osien vaikeat kulumat aiheuttavat jarrujärjestelmän pättämisen. Vakavan loukkaantumisen ja/tai tuotevahingon vaara.



**VAROITUS:** Käytä jarruja hallitulla ja aikarajoitetulla tavalla. Liian voimakas jarrutus voi lukita renkaat ja aiheuttaa kaatumisen. Vakavan loukkaantumisen ja/tai tuotevahingon vaara.

## Hydrauliset levyjarrut

Vältä jarrujen keskeytymätöntä käyttöä, jos ajat pidempään alamäkeä. Se voi aiheuttaa höyrykuplien muodostumista ja johtaa siksi pyörän hallinnan menettämiseen. Vakavan loukkaantumisen ja/tai tuotevahingon vaara. Siksi sinun kannattaa tasaisin väliajoin päästää irti jarruista kokonaan tai vuorotella etu- ja takajarrun käyttöä. Sillä tavalla jarrujärjestelmä jäähtyy. Jos tarpeen, pidä välillä lyhyt ajotauko jarrujärjestelmän jäähdyttämiseksi. Tarkista aina ennen ajoa jarrutuspaikat. Jos pystyt vetämään käsijarrut aivan kiinni ohjaustankoon, tai jos jarrutuspaikat muuttuvat ajan aikana, sinun ei pidä käyttää pyörää. Anna sen sijaan Coboc-myyjän tarkistaa jarrut ennen kuin jatkat ajoa.

## Moottoriavustuksen taso

Moottoriavustuksen taso mukautuu ajovauhtiisi. Mitä kovempaa painat polkimia, sitä suurempi vääntömomentti tulee moottoriin. Tämä eliminoi avustustason valinnan tarpeen. Voit kuitenkin hienosäätää Coboc-käyttöjärjestelmää Coboc-sovelluksen kautta. Huomioi, että pyydämme sinua olemaan käyttämättä Coboc-sovellusta pyöräilyn aikana. Katso kappaletta *Coboc-sovellus*.

## Kaksi ajotilaa

Version 3.34 lanseerauksen jälkeen voit valita kahden eri ajotilan välillä. Voit valita ajotilan joko Coboc-sovelluksesta tai pyörän virtapainikkeesta.

Kummankin ajotilan ajoasetukset voidaan määrittää ja tallentaa myös siinä tapauksessa, että pyörää ei ole yhdistetty puhelimeen.

Valitse ajotila kaksoisnapsauttamalla virtapainiketta. Kun LED-näytön väri vaihtuu sinisestä vihreään, valinta on vahvistettu. Voit myös vaihtaa ajotilasta toiseen Coboc-sovelluksessa.



**VAROITUS:** Polje polkimia vasta sitten, kun istut turvallisesti Coboc-pyörälläsi. Heti, kun polkimiin kohdistuu painetta, moottoriavustus käynnistyy. Jos et halua istua satulaan ennen lähtöä, vaan haluat astua polkimelle ja samalla nostaa jalan satulaan yli, sinun on otettava huomioon, että pyörä voi lähteä äkkiä liikkeelle. Loukkaantumisvaara!

Lopeta ajoissa polkeminen. Moottoriavustus lakkaa heti, kun kammien pyöriminen loppuu. Huomioi tämä erityisesti risteyksissä ja kaarteissa. Jos sinulla on ongelmia (esimerkiksi koska et lopettanut polkemista ajoissa), voit aina pysäyttää moottorin takarenkaan jarrulla.

## Vaihteisto

Coboc-pyöräsi on varustettu sisäisellä 7-vaihteisella SRAM GX-vaihteistolla. Vaihdivinviut on sijoitettu ohjaustangon oikealle puolelle ja liitetty takapyörään kiinnitettyyn takavaihtajaan.

Kumpikin vaihdivinviu (A) ja (B) aktivoidaan vetämällä kahvasta. Ne palautuvat takaisin lähtöpaikkaansa aktivoinnin jälkeen. Isompaan vaihteeseen vaihdettaessa vaihdeviuvia (B) voidaan käyttää myös etusormella.

Muista polkea samalla, kun vaihdat vaihdetta. Huomautus: Älä polje polkimia taaksepäin vaihtamisen aikana, koska se voi vahingoittaa vaihteistoa.

Vähennä polkimiin kohdistuvaa kuormitusta vaihteiden vaihdon aikana. Näin vaihteiden vaihtaminen sujuu nopeasti ja helposti, eivätkä ketjut ja hammaspyörät kulu yhtä paljon.



**VAROITUS:** Vaihteiden vaihtaminen enimmäiskuormituksessa voi aiheuttaa ketjun vaurioitumisen. Henkilövahingon ja/tai tuotevaurion riski.

### Vaihtaminen pienemmälle vaihteelle

Kun haluat vaihtaa pienemmälle vaihteelle, paina vaihdivinviuvia (A), kunnes se napsahtaa. Vaihtaaksesi useamman vaihteen kerrallaan sinun pitää painaa vaihdivinviuvia, kunnes se napsahtaa useamman kerran. Voit vaihtaa korkeintaan viisi vaihdetta kerrallaan.

### Vaihtaminen isommalle vaihteelle

Kun haluat vaihtaa isommalle vaihteelle, paina vaihdivinviuvia (B), kunnes se napsahtaa. Vaihtoehtoisesti voit painaa vaihdivinviuvia (B) taaksepäin etusormella. Huomautus: Voit vaihtaa vain yhden vaihteen kerrallaan. Paina siis vaihdivinviuvia useamman kerran, jos haluat vaihtaa useamman vaihteen.

Saadaksesi lisätietoa SRAM GX- vaihteiston asennuksesta ja toiminnasta käy Cobocin kotisivuilla tai ota yhteys paikalliseen Coboc-myymälään.



Coboc-pyöräsi on varustettu nykyaikaisella litiumioniakulla. Tämän tyyppinen akku antaa parhaimman energiatihedyyden, eli saat pisimmän ajomatkan pienimmällä akun painolla. Lisäksi litiumioniakuilla ei ole muistivaikutusta. Tämän akun nimellisjännite on 36 voltia ja nimelliskapasiteetti 380 Wh.



**INFO:** Coboc-pyöräsi akku on asennettu runkoon. Tämä asennustapa mahdollistaa ajoneuvon erittäin pienen painon ja optimaalisen kosteussuojauksen. Akku jää runkoon myös latauksen ajan. Vain valtuutettu ammattilainen saa irrottaa akun.





**VAROITUS:** Älä yritä irrottaa akkua itse! Suojusta, joka on asennettu pyörän alaputken pohjaan ei missään olosuhteissa saa avata. Ainoastaan valtuutettu ammattilainen saa tehdä moottorijärjestelmään korjauksia. Vakavan loukkaantumisen tai kuoleman vaara sähköä johtavien osien vuoksi. Käyttäjärjestelmä on myös suojattu kosteudelta erityisellä tiivistystekniikalla. Jos kansi avataan ilman Cobocin hyväksyntää, takuu raukeaa välittömästi. Cobocia, jakelijaa tai myyjää ei voida pitää vastuussa henkilö- ja/tai tuotevahingoista, joita voi syntyä, jos ohjeita ei noudateta.

## Ajomatka

Coboc-pyörän toimintasäteeseen vaikuttavat monet eri tekijät, ja siksi se voi vaihdella. Tällaisia tekijöitä ovat muun muassa: ajopinta, mäet, tuuliolosuhteet, rengasominaisuudet, ilmanpaine, ajajan paino, liikenopeus eli kadenssi, ajonopeus ja lämpötila. Myös ajotilan valinta vaikuttaa Coboc-pyörän toimintasäteeseen. Lisätietoa Coboc-sovelluksesta ja eri ajotilojen asetuksista: [www.coboc.biz/en/the-coboc-app](http://www.coboc.biz/en/the-coboc-app)

Täydellä akulla tasaisessa maastossa ajotilassa 1 (LED-merkkien valo sininen) toimintasäde vaihtelee välillä 70–100 km. Jos ajat asfaltilla ja rengaspaine on alhainen, vierintävastus kasvaa ja toimintasäde lyhenee. Vastatuulussa ja/tai mäkisessä maastossa ajaminen vaikuttaa myös toimintasäteeseen. Ajotilan asetuksista riippuen moottoriavustusta voidaan lisätä. Siinä tapauksessa toimintasäde lyhenee. Suuri kokonaispaino voi myös lyhentää toimintasädettä. Jos ajat yli 25 km/h, moottoriavustus lakkaa ja pyörä toimii tavallisen polkupyörän tavoin. Tämä lisää jäljellä olevaa toimintasädettä.

Kuumina päivinä (akun lämpötila yllittää 60°C) akku sammuu automaattisesti turvallisuussyistä. Sitten sen täytyy jäähtyä ennen kuin sitä voidaan käyttää uudelleen. Jos polkupyöräsi ei ole kytketty päälle tai ladattu yli 30 vuorokautteen, se siirtyy automaattisesti lepotilaan akkuvirran säästämiseksi. Pyörää ei voi kytkeä päälle, kun se on lepotilassa. Aktiivoi pyöräsi kytkemällä laturi, jos pyörä on lepotilassa.

Akun varaus näkyy pyörän ohjausyksikössä. Korkeintaan viisi LED-merkkivaloa palaa, kun pyörä on käynnistetty.

5 LED-valoa palaa sinisenä – 80 – 100 % akun varausta  
4 LED-valoa palaa sinisenä – 60 – 80 % akun varausta  
3 LED-valoa palaa sinisenä – 40 – 60 % akun varausta  
2 LED-valoa palaa sinisenä – 40 – 20 % akun varausta  
1 LED-valo palaa sinisenä – 1 – 20 % akun varausta



**INFO:** Jos enemmän kuin yksi LED-valo palaa punaisena, se tarkoittaa, että käyttäjärjestelmässä on vikaa. Katso kappaletta: Vikakoodit lisätietoja varten.

## Akun lataaminen

Ihanteellinen lämpötila akun lataukseen on +5 °C:n ja +35 °C:n välillä. Kun lämpötila on alle nollan tai yli +40 °C lataus ei toimi akun suojaamisen vuoksi.



**HUOMAUTUS:** Älä käytä muita latureita kuin tuotteen mukana toimitettua. Nykyaikaiset litiumioniakut tarvitsevat alkuuperäisen laturin. Palo- ja/tai räjähdysvaara.



**VAROITUS:** Muista tarkistaa laturi mahdollisten ulkoisten vaurioiden varalta. Älä koskaan käytä viallista laturia.

Latausportti sijaitsee pyörän vaakaputken pohjassa. Liittimen voi kytkeä vain yhdellä tavalla. Latausportti ja liitin ovat magneettisia ja pysyvät kiinni toisissaan, jos ne on kytketty oikein.

## Akku & laturi

Lataa akkua vain kuivassa ja hyvin tuuletetussa paikassa, koska laturia ei saa altistaa sateelle, vedelle eikä kosteudelle. Varmista, ettei mitään helposti syttyvää ole lähellä, kun lataat pyöräsi. Säilytä laturi aina turvallisessa paikassa, ettei se vahingoitu.



**VAROITUS:** Käytä laturia vain sisätiloissa. Huomioi laturiin merkityt vinkit ja lue laturin mukana tuleva käyttöohje.

Ladataksesi akun, kytke pistoke sopivaan pistorasiaan ja liitä laturi Coboc-pyöräsi. Varmista, että latausarvot täyttävät maan lait ja säädökset. Mukana toimitettu laturi on tarkoitettu 220V js 240V jännitteeseen.

Lataus alkaa heti, kun laturi on liitetty, ja Coboc-pyöräsi sammuu. Et voi käynnistää Coboc-pyöräsi latauksen aikana.

LED-merkkivalot syttyvät nyt toinen toisensa jälkeen ilmaisten käynnissä olevan latauksen. Kun Coboc-pyöräsi on ladattu täyteen, se sammuu automaattisesti. Laturi näyttää, kun akku on ladattu täyteen.

Akun lataaminen tavallisella Coboc 4A-laturilla yhdestä prosentista täyteen sataan prosenttiin kestää normaalisti 2½ tuntia. Akku on kuitenkin ladattu 90 prosenttisesti jo kahden tunnin kuluttua, joten viimeisen 10 prosentin lataaminen kestää pidempään (puoli tuntia).

Voit pitää Coboc-pyöräsi kytkettynä laturiin, vaikka lataus on päättynyt. Akkua ei ladata liikaa. Suosittelemme kuitenkin turvallisuussyistä, että irrotat liittimen Coboc-pyörästäsi ja pistokkeen pistorasiasta.

Huolehdi siitä, että vakuutuksesi kattaa Coboc-pyöräsi ja litiumioniakun. Pidä itsesi jatkuvasti sovellettavien lakien ja säädösten ajan tasalla.

### Säilytys



**VAROITUS:** Jos pyörää ei käytetä pitkään aikaan, varmista, että akku on täyteen ladattu. Jos akku ladataan täyteen ennen pyörän varastointia, se on ladattava uudelleen viimeistään kahdeksan kuukauden kuluttua. Akku ei saa olla täysin tyhjä, kun pyörä laitetaan varastoon. Valmistaja/jälleenmyyjä ei vastaa mahdollisista vaurioista, jos akkua ei ladata pyörän säilytyksen aikana tai jos pyörä laitetaan varastoon akun ollessa tyhjä.

Jos akkua ladataan jatkuvasti, sen käyttöikä lyhenee. Jos akun varaus pääsee purkautumaan kokonaan, akku voi vaurioitua tai tuhoutua pysyvästi. Siksi suosittelemme, että akku ladataan ennen pyörän varastointia, laturi irrotetaan ja pyörää säilytetään viileässä, noin 15 °C:n lämpötilassa.

Litiumioniakun varaus purkautuu automaattisesti ajan myötä. Energian säilyttämiseksi pyörä siirtyy automaattisesti lepotilaan. Lataa akku uudelleen viimeistään kahdeksan kuukauden kuluttua.

Pyörää ei saa säilyttää pysyvästi yli 20 °C:n lämpötiloissa. Litiumioniakkujen varaus purkautuu hitaasti silloinkin, kun pyörää ei käytetä. Välttääkseen akun täydellisen purkautumisen Coboc-pyöräsi menee lepotilaan, jos sitä ei käytetä. Aktivoi lepotilaan mennyt pyörä liittämällä laturi.



**VAROITUS:** Jos akkua ei käytetä pitkään aikaan, se ei saa sinä aikana olla jatkuvasti kytkettynä laturiin. Akku menettää tehonsa nopeammin, jos sen varaus on jatkuvasti 100%.

Huomautus: Latausohjeiden puutteellinen noudattaminen voi vaurioittaa akkua tai tehdä siitä käyttökeltottoman. Takuu raukeaa, jos latausohjeita ei noudateta.

## Kuljettaminen

Yli sadan Wh:n litiumioniakut kuuluvat kansainvälisen vaarallisia aineita koskevan lain piiriin. Coboc-pyörääsi asennettu akku (352 Wh) on luokiteltu vaarallisuus-luokkaan 9. Siksi sen kuljettaminen teillä, merellä tai ilmassa on hyväksyttävä etukäteen. Ohjeiden pyytäminen vaarallisten aineiden asiantuntijalta on pakollista.

Muista, että monilla kuljetusliikkeillä on tiettyjä ohjeita litiumioniakuille varustettujen laitteiden tai ajoneuvojen kuljettamiseen.

## Hävittäminen

Älä hävitä Coboc-pyörääsi, sen laturia äläkä akkua kotitalousjätteeseen.



INFO: EU:n sisällä kuluttaja on velvollinen palauttamaan käyttökelpottomat akut ja paristot. EY-direktiivin 2002/66/EY mukaisesti vialliset ja/tai käytetyt akut on toimitettava hävitettäväksi erikseen ja ympäristöystävällisellä tavalla.

Toimita siis käytetty akku paikalliseen kierrätykseen. Huomaa, että akun saa irrottaa Coboc-pyörästäsi vain valtuutettu ammattilainen.



VAROITUS: Käyttöjärjestelmän kunnossapidon ja korjaukset saa tehdä ainoastaan valtuutettu ammattilainen. Suojusta, joka on asennettu pyörän alaputken pohjaan ei missään olosuhteissa saa avata. Vakavan loukkaantumisen tai kuolemanvaara sähköä johtavien osien vuoksi. Käyttöjärjestelmä on myös suojattu kosteudelta erityisellä tiivistystekniikalla. Jos suojuus avataan ilman Cobocin hyväksyntää, takuu raukeaa välittömästi. Cobocia, jakelijaa tai myyjää ei voida pitää vastuussa henkilö- ja/tai tuotevahingoista, joita voi syntyä, jos ohjeita ei noudateta.



VAROITUS: Sammuta Coboc-pyöräsi ("Bike Off") ja sen valot, jos ne palavat). Varmista aina, että Coboc-pyöräsi on sammutettu ennen kuin teet kunnossapito- tai korjaustöitä. Moottori voi käynnistyä äkillisesti, jos päälle kytkettyyn Coboc-pyörään tehdään korjauksia tai jos moottorin pistoke voi olla kosketuksissa virtaan. Molemmat voivat johtaa vakaviin vammoihin.

Älä irrota keskiötä! Coboc-pyöräsi keskiö on varustettu anturilla, joka on kytketty sisäisesti käyttöjärjestelmään. Väärin tehty irrotus voi vahingoittaa kaapeleita ja/tai anturia.

## Puhdistus ja hoito

Puhdista Coboc-pyöräsi säännöllisesti. Se ei pelkästään pidä pyörääsi kauniina, vaan on myös tärkeää optimaalista toimintaa varten. Älä käytä mitään höyry- tai painepesureita pyörän puhdistukseen. Tuotevaurion vaara. Pese pyörä aina vain käsin äläkä koskaan käännä sitä ylösalaisin. Elektroniikka ja kuulalaaakit on suljettu tiiviisti ja se mahdollistaa käytön sadepäivinäkin. Pesu paineella voi johtaa nesteen ja/tai lian tunkeutumisen tiivisteiden läpi ja vahingoittaa laakereita ja/tai elektroniikkaa.

Pidä ketjut aina voideltuina. Se mahdollistaa hiljaisen ajon ja minimoi kulumisen. Pidä huolta, että käytät aina sopivaa ketjuöljyä.

## Turvallisuusohjeet, hiilikuituosat

Coboc-pyörä on varustettu erittäin kevyellä ja korkealaatuisella hiilikuituhaarukalla. Se vähentää painoa ja parantaa pyörän muotoilua.



HUOMAUTUS: Komposiittimateriaalista valmistetut osat voivat vaurioitua kohdista, jotka eivät ole suoraan näkyvissä. Henkilövahingon ja/tai tuotevaurion riski. Siksi nämä osat on tarkistettava pyörän kolhiutumisen/kaatumisen jälkeen.

## Kunnossapito

Lisäksi hiilikuituosat on tarkistettava silmämääräisesti säännöllisin väliajoin. Tarkista, irtoaako osista maalia, pinnoitetta tai kuituja. Tarkista mahdolliset muutokset osien pinnoissa (halkeamat, reiät tai syvät naarmut). Tarkista, ovatko osat muuttuneet pehmeämmiksi tai vähemmän kiinteiksi. Jos havaitset muutoksia yhdessä tai useammassa osassa, kyseiset osat on vaihdettava välittömästi.

### Hiilikuituosien erityisominaisuudet

Hiilikuituvahvistettu muovi on kevyt materiaali, jolla on paljon erityisominaisuuksia. Näiden ominaisuuksien tiedostaminen on tärkeää moitteettoman toiminnan ja pitkän käyttöiän varmistamiseksi.

Hiilikuidusta voidaan valmistaa erittäin kevyitä, mutta samanaikaisesti äärimmäisen kestäviä ja korkealaatuisia pyöränosia, jos ne käsitellään oikein.

Tämän materiaalin haittana on kuitenkin se, että mahdolliset vauriot eivät välttämättä näy ensi silmäyksellä, koska hiilen muoto ei muutu ylikuormituksen seurauksena samaan tapaan kuin alumiinin tai teräksen. Materiaali voi siis säilyttää muotonsa, vaikka sisärakenne olisi jo vaurioitunut. Vaurioitunut rakenne vaikuttaa osan vakauteen ja voi siten aiheuttaa vakavia kaatumisia ja loukkaantumisia. Jos et ole varma hiilikuituosien kunnosta, ota yhteyttä Coboc-jälleenmyyjään.



**HUOMAUTUS:** Jos kuulet paukahtavan äänen, se voi olla merkki vioittuneesta hiilikuituosasta. Tarkista säännöllisesti, että hiilikuituosien ruuviiliitosten vääntömomentti on oikea. Jos ääni kuuluu edelleen, ota yhteyttä Coboc-jälleenmyyjään. Pyörää ei saa missään tapauksessa käyttää, jos jokin hiilikuituosista on vioittunut.



**HUOMAUTUS:** Hiilikuituosia ei saa koskaan kuumentaa korkeisiin lämpötiloihin esimerkiksi jauhemaalauksen tai lakkauksen yhteydessä. Kuumuus voi vaurioittaa osia. Varmista, että pyörää ei säilytetä ajoneuvossa tai muussa paikassa, jossa se altistuu suoralle auringonvalolle.

### Hiilikuituosien huolto

Puhdista hiilikuituosat pehmeällä liinalla ja puhtaalla vedellä. Käytä tarvittaessa neutraalia pesuainetta (öljypohjaista).



**HUOMAUTUS:** Älä koskaan käytä rasvaa poistavaa puhdistusainetta, joka sisältää asetonia, metyylikloridia tai trikloorieteeniä. Kemikaaleja sisältävät ja/tai ei-neutraalit pesuaineet, jotka sisältävät liuottimia, voivat vaurioittaa pintoja ja heikentää hiilikuituosia.



**VAROITUS:** Kevyet hiilikuituosat voivat olla erityisen alttiita kulumiselle. Noudata aina suositeltuja huoltovälejä ja pyydä Coboc-jälleenmyyjää tarkistamaan hiilikuituosat säännöllisesti vikojen ja/tai kulumisen varalta.



**VAROITUS:** Hiilikuituosia ei saa koskaan voidella. Voiteluaine voi imeytyä osan pintaan, mikä estää oikean momentin (vääntövoiman). Suosittelemme käyttämään voiteluaineen sijasta hiilikuitutahnaa.



**VAROITUS:** Tarkista, onko hiilikuituosissa näkyviä vaurioita, kuten kolhuja, lommoja, naarmuja, värimuutoksia ym. Ota yhteyttä Coboc-jälleenmyyjään, jos havaitset tällaisia vikoja. Älä käytä pyörää ennen kuin ammattilainen on tarkastanut sen kunnon.

## Huolto

Huolimatta siitä, että nykyaikaiseen tekniikkaan kuuluu usein korkea suorituskyky, se tarvitsee edelleen kunnossapitoa. Siksi sinun on muistettava huoltaa pyöräsi säännöllisesti. Jotta voit olla varma luotettavasta toiminnasta ja takuuehtojen täyttymisestä huolehdi siitä, että Coboc-jälleenmyyjä tai huoltokumppani suorittaa pyöräsi vuosittaisen huollon.

Coboc-pyöräsi ensihuollolla on erityisen tärkeä merkitys optimaalisen ja luotettavan toiminnan kannalta. Johdot ja pinnat voivat venyä ja ruuvit ehkä löystyvät. Varmista siis, että Coboc-jälleenmyyjä tai huoltokumppani tarkistaa Coboc-pyöräsi ensimmäisen käyttökuukauden tai 100 ajokilometrin jälkeen.

Seuraava taulukko näyttää ajanjaksot, joita voidaan käyttää ohjeina 1500- 2000 km vuodessa ajaville pyöräilijöille. Ajaminen huonoilla teillä, huonoissa sääolosuhteissa tai yli 2500 kilometrin ajomatka vuodessa lyhentää huoltoväliä vastaavasti. Jos sinulla ei ole teknistä tietotaitoa pyöräsi omatoimiseen huoltamiseen, huolehdi siitä, että Coboc-jälleenmyyjä tai huoltokumppani tarkistaa pyöräsi.

## Suosittelava huoltoväli

Osa	Tehtävä	Ennen joka ajo	Joka kuukausi	Vuosittain
Pyörät	Tarkista toiminta	x		
	Tarkista vanteet		x	
	Tarkista jarrupalat		x	
	Tarkista jarrukiekot		x	
	Tarkista pintojen kireys		x	
	Tarkista kiinnitysten kireys		x	
Vaihdinviivut ja jarruvaijerit	Silmämääräinen tarkistus		x	
Renkaat	Tarkista rengaspaineet	x		
	Tarkista venttiilit		x	
Ketjut	Tarkista voitelu	x	x	
	Tarkista kireys		x	
	Tarkista kulumat		x	
Navat	Tarkista laakerivällys			x
Polkimet	Tarkista laakerivällys		x	
Kampisarja	Tarkista pultit		x	
Ohjaustanko / Ohjainkannatin	Tarkista kiinnitys		x	
	Silmämääräinen tarkistus			x
Ohjainlaakeri	Tarkista laakerivällys		x	
Ruuvikiinnitykset	Pyörät / Tarkista / kiristä	x		
Ruuvit / Mutterit				x
Moottorin johdot	Silmämääräinen tarkistus		x	
Lokasuojat	Tarkista / kiristä		x	
Laukkupidikkeet	Tarkista / kiristä		x	
Tukijalka	Tarkista / kiristä		x	

## Kunnossapito

- Varmista ennen jokaista ajokertaa, että jarrusi toimivat oikein. Kummankin jarrun on toimittava virheettömästi eivätkä ne saa lukittua. Sinun ei pitäisi pystyä vetämään jarrukahvaa kiinni ohjaustankoon. Muista tarkistaa levyjarrujen vannejarrun/levyn sivuilta jarrupalat kulumisen varalta. *Katso kappaletta: Jarrujen säätäminen.*
- Muista tarkistaa sekä vaijerikotelot että jarruvaijerit säännöllisesti ja vähintään kerran kuukaudessa. Päälysteessä ei saa olla vaurioita eikä kotelossa mitään vikoja. Toisin sanoen ulompi jarruvaijerin muovipinnoite ei saa vaurioitunut eikä sisempi metallipinnoite ei saa koskaan olla suojaamaton. Varmista, ettei johdotuksessa jarruvaijereiden sisällä näy merkkejä vaurioista ja että sisäpuolen vaijerit kulkevat tasaisena vaijerikotelon läpi.
- Muista tarkistaa kummankin renkaan paine ennen jokaista pyöräretkeä. Suositeltava rengaspaine riippuu rengastyypistä ja ilmoitetaan yleensä renkaan sivulla. Varmista, että venttiilin kanta on hyvin vanteessa. Sen on oltava suunnilleen linjassa pintojen kanssa. Se voi repeytyä irti, ellei sitä aseteta kunnolla. Coboc-pyöräsi renkaat ovat Schwalbe Kojak 35-622 (28 x 1,35, 700 x 35C) maks. 6,5 bar / Continental Grand Prix Classic 25-622 (700x25C) maks. 8,5 bar / Schwalbe ONE 25 -622 (700 / 25C) maks. 9 bar / Schwalbe G-ONE nopeus 50-584 (27,5 x 2,0, 650B) maks. 6 bar / Schwalbe Durano 25-622 (700 / 25C) maks. 9 bar. Jos käytät muita renkaita, varmista, että vanteet ja renkaat sopivat yhteen eikä vanteiden ja renkaiden suurin sallittu paine ei ylity.
- Voitele ketju sopivalla ketjuöljyllä (Katso kappaletta: Voitelu). Tarkista ketjun kireys vähintään kerran kuukaudessa (Katso kappaletta: Ketjun kireyden säätäminen). Tarkista kuluminen ketjunmittarilla tai pyydä Coboc-jälleenmyyjäsi arvioimaan ketjun kunto.
- Tarkista pyörännapojen sivuttainen laakerivälitys noin kerran vuodessa. Vaihda pyörän laakeri, jos vanne liikkuu, vaikka rengas on ruvattu tiukasti runkoon. Sama pätee, jos pyörät ei liiku tasaisesti ilman liukuen jarrutusta. Ota siinä tapauksessa yhteyttä Coboc-jälleenmyyjään.
- Tarkista polkimien laakerivälitys kerran kuukaudessa kokeilemalla niiden liikuttamista poljinakseleiden yli. Sinun on vaihdettava laakerit, jos voit liikuttaa polkimia sivulta toiselle. Ota siinä tapauksessa yhteyttä Coboc-jälleenmyyjään.
- Tarkista noin kerran kuukaudessa, että poljinkammen ruuvit ovat kunnolla kiinni. Käytä tähän momenttiavainta. Katso kappaletta: kiristysmomentit (Nm).
- Noin kerran kuukaudessa tarkistetaan pyörien pintojen kireys. Tee se painamalla kahta vierekkäistä pinnaa yhdellä kädellä. Näin saat selville, onko jokin pinnosta muita löysempi. Jos näin on, ota yhteyttä Coboc-jälleenmyyjään.
- Kerran kuukaudessa tarkistetaan myös vanteet. Varmista, että ne eivät ole vääntyneet. Pyydä Coboc-jälleenmyyjää tarkistamaan vanteet, jos ne eivät enää pyöri tasaisesti.
- Tarkista kerran kuukaudessa ohjainkannattimen ruuvi. Tarkista myös ohjainlaakerin yläruuvi. Käytä siihen momenttiavainta.
- Tarkista rauhassa ohjaustanko vaurioiden varalta, esim. kolhut, vääntymät, naarmut tai lommot. Jos olet epävarma ja joka tapauksessa noin kolmen vuoden kuluttua, suosittelemme, että Coboc-jälleenmyyjä vaihtaa ohjaustangon.
- Tarkista noin kerran kuukaudessa, onko ohjainlaakerin välitys. Katso kappaletta: Ohjainlaakerin säätäminen.
- Tarkista pyörien oikea kiinnitys säännöllisesti. Käytä vähintään kerran kuukaudessa momenttiavainta varmistaaksesi, että ruuvit ovat edelleen tiukasti kiinni. Katso kappaletta: Kiristysmomentit.
- Tarkista onko moottorin kaapeleissa näkyviä osumia tai muita vaurioita. Vaurioitunut moottorikaapeli voi johtaa sähköiskuun ja aiheuttaa vakavia vammoja. Jos siinä on vikaa, ota yhteyttä Coboc-jälleenmyyjään.
- Käytä yksinomaan sisäänrakennettuja etu- ja takavaloja. Jos valot vaikuttavat vaurioituneilta tai eivät toimi oikein, ota yhteyttä Coboc-jälleenmyyjään.

- Vaihda Coboc-pyöräsi osat ainoastaan alkuperäisiin tai Cobocin hyväksymiin osiin. Takuu raukeaa, jos käytetään muita kuin alkuperäisiä osia. Valmistaja, jakelija ja jälleenmyyjä eivät ole vastuussa mahdollisista vahingoista, jotka syntyvät, kun käytetään muita kuin alkuperäisiä osia.



**VAROITUS:** Sinun pyöräsi, niin kuin kaikki mekaaniset tuotteet altistuu kovalle käytölle ja kulumiselle. Eri materiaalit ja komponentit voivat reagoida eri tavoin kulumiseen ja käyttöön. Jos jotain osaa käytetään pidempään kuin sen laskettu käyttöaika on, se voi johtaa pyöräsi äkilliseen pettämiseen ja loukkaantumiseen. Jokainen tällaisen kuluvan osan halkeama, kuluma tai värimuutos osoittaa, että sen käyttöaika on loppunut. Siksi sen tilalle on heti vaihdettava vastaava uusi osa.

## Kuluvat osat

Seuraavat kuluvat osat on tarkastettava säännöllisesti:

- Renkaat ja kumit
- Ketjut, rataspakka ja eturatas
- Jarrupalat
- Jarrulevyt
- Kuulalaakerit
- Satula ja kahvat

Tarkista, että kaikki ruuvit ja mutterit on kiristetty kunnolla.  
Katso kappaletta: *Kiristysmomentit (Nm)*.

## Voitelu

Tehokkaan toiminnan ja pitkän käyttöiän varmistamiseksi tietyt osat vaativat säännöllistä puhdistamista ja voitelua. Öljyä, rasvaa ja muuta voiteluainetta EI SAA päästää vanteisiin, jarruihin, jarrupaloihin tai jarrulevyihin.



**HUOMAUTUS:** Hiilikuituosia ei missään tapauksessa saa yhdistää rasvaan tai muihin voiteluaineisiin, koska se voi vähentää kitkaa niiden välillä ja johtaa materiaalivahinkoihin kovemman kiristysmomentin vuoksi. Käytä vain sopivaa asennuspastaa, kun kokoat hiilikuituosia. Se lisää kitkaa osien välillä, ja estää näin materiaalivahingot.

Voideltavat osat	Milloin ne pitää voidella	Voiteluaine
Ketju	Puhdistuksen jälkeen, sateisen ajomatkan jälkeen, noin 300 km jälkeen	Ketjuöljy
Vaihdevaijeri	Kun toiminta on heikennyt tai noin kerran vuodessa	Siiikonfritt fett
Alumiininen satulatolppa alumiinirungossa	Kokoamisen aikana	Asennusrasva
Takavaihtajan liitokset	Kun toiminta on heikennyt tai noin kerran vuodessa	Suihkeöljy

## Kunnossapito

### Puhjenneen renkaan korjaus / Takapyörän irrotus

Puhjenneen renkaan vaihtaminen ei eroa paljoakaan tavallisen polkupyörän renkaan vaihdosta. Vain takapyörän asennukseen/ irrotukseen pitää kiinnittää erityistä huomiota. Tämä ohje edellyttää hyvää renkaiden korjauksen /vaihdon tuntemusta.

Jos et hallitse niitä, ota yhteys paikalliseen Coboc-jälleenmyyjään.



**VAROITUS:** Sammuta Coboc-pyöräsi ("Bike Off") ja sen valot! Ennen kaikkia kunnossapito- ja korjaustöitä sinun on varmistettava, että Coboc-pyöräsi on sammutettu. Sähköä johtavien osien sekä moottorin odottamattoman käynnistymisen aiheuttama vaara korjauksen aikana. Loukkaantumisvaara.

### Takapyörän irrottaminen

- Vaihda alimman rattaan suurimmalle vaihteelle. Takavaihtajassa on lukitus, joka mahdollistaa takapyörän irrottamisen. Paina kahvaa eteenpäin ja paina lukituspainiketta (1). Kahvan pitää nyt lukittua paikalleen eikä ketjussa pitäisi enää olla jännitystä.
- Avaa moottoriliitin (2) ja vapauta kaapelipidike moottorin suuntaan (3).
- Irrota navan muttereiden muovitulpat (4).
- Avaa navan mutteria kiintoavaimella (18 mm). Varo, ettei takapyörä putoa hallitsemattomasti paikaltaan heti, kun olet löysännyt muttereita.
- Nyt voit irrottaa takapyörän kokonaan.
- Renkaan vaihtaminen tapahtuu nyt samalla tavalla kuin tavallisessa polkupyörässä.





## Takarenkkaan asennus

Takarenkkaan asennus tapahtuu päinvastaisessa järjestyksessä kuin irrotus. Seuraavat seikat on huomioitava:



**HUOMAUTUS:** Kiristysmomentin-ohjauslevy (takavaihtajan korvake) on asennettava takaisin takapyörän viereen. Ohjauslevy on sijoitettava niin, että lovetun osan avoin pää on sisään pain kohti lovea. Levyn tappi osoittaa silloin ulos kohti avointa osaa. Jos unohtaa tai jättää kokonaan etäisyyksilevyn asentamatta voi seurauksena olla, että moottori kääntää taka-akselia ja se voi johtaa vakavaan vahinkoon tai kaatumiseen.

Kiristä pyörien mutterit kunnolla. Katso kappaletta: Momentti (vääntömomentti Nm). Löysästi kiinnitetty pyörä on suureksi vaaraksi sekä sinulle että pyörälle.



**WARNING:** Älä unohda avata takavaihtajan lukitusta kääntämällä kahvaa kevyesti eteenpäin ja sitten vapauttamalla se taas taakse. Muuten ketju ei ole riittävän kireä, mikä voi aiheuttaa kaatumisen.

## Jarrujen säätäminen

Turvallisen ajon merkittävä edellytys on jarrujen oikein tehty säätö. Älä koskaan aja Coboc-pyörälläsi, jos jarrut eivät toimi tai niitä ei ole säädetty oikein. Jos itselläsi ei ole jarrujen säätämiseen riittävää pätevyyttä, ole hyvä ja ota yhteys Coboc-jälleenmyyjään.

## Jarrujärjestelmän testaus

Työnnä Coboc-pyöräsi eteenpäin samalla kun jarrutat takajarrulla. Jos kaikki on säädetty oikein, takapyörä lukittuu. Jos käytät etujarrua, takapyörän tulee nousta irti maasta. Ohjauksessa ei saa olla väljyyttä. Käsijarruja painetaan vain puoliväliin tässä testissä.

## Vannejarrun tarkistus

Jarrulevyn kuluman voi poistaa tai minimoida säätämällä vannejarrua. Jos jarrulevy on vääntynyt iskun vaikutuksesta, se on vaihdettava. Ota yhteyttä Coboc-jälleenmyyjään.

Voit säätää vannejarrua avaamalla molemmat ruuvit (6). Vannejarrun aukot mahdollistavat jarrulevyn säätämisen rungon tai haarukassa olevan asennussovittimen kautta. Varmista, että rengas on asennettu oikeaan asentoon ennen vannejarrun säätämistä.

Säädä vannejarrua siten, että jarrulevy kulkee keskitetysti jarrupalojen välissä koskettamatta niihin suoraan. Varmista, että vannejarru ei liiku, kun kiristät ruuvit uudelleen.

Vaihtoehtoisesti voit keskittää vannejarrun jarrulevyn päälle vetämällä käsijarrusta. Jarrusylinterin mäntä tulee kosketuksiin jarrulevyn kanssa jarrupalojen kautta ja säätää löysällä olevan vannejarrun keskelle jarrulevyn päälle. Pidä käsijarru painettuna, kiristä ruuvit (6) ja varmista, että vannejarru ei pääse liikkumaan.

Muista oikea momentti (katso kappale: Momentti) kiristäessäsi ruuveja (6).



**VAROITUS:** Virheellisesti kiristetty vannejarru voi aiheuttaa koko jarrujärjestelmän vikaantumisen. Henkilövahingon ja/tai tuotevaurion riski. Jos olet epävarma siitä, onko jarrujärjestelmä asennettu oikein tai toimiiko jarrujärjestelmä asianmukaisesti, älä käytä pyörää ennen kuin Coboc-jälleenmyyjä tai ammattilainen on tarkistanut pyörän.



## Käyttöalue

### Jarrupalojen tarkistus

Jarrupalat kuuluvat Coboc-pyöräsi kuluviin osiin. Siksi sinun on tarkistettava ne säännöllisesti kulumien varalta. Käytä ainoastaan alkuperäisiä osia vaihtaessasi kitkakomponentteja. Muut voivat vaikuttaa jarrutustehoon ja seurauksena syntyy vahingon vaara. Käytä yksinomaan vanne-/levyjarrujärjestelmääsi sopivia jarrupaloja jotta haluttu jarrutusteho voidaan taata.



**VAROITUS:** Älä koskaan päästä öljyä tai rasvaa jarrupaloihin, jarrulevyihin tai vannejarruihin, koska se heikentää jarrutustehoa. Muista vaihtaa kitkaosat, jos osiin pääsee rasvaa.

**Levyjarrut:** Levyjarrun kulumisen näkee yleensä vasta silloin, kun jarrusylinteri on irrotettu. Silloin voit arvioida, miten paljon jarrupalaa on jäljellä tukilevyssä. Jarrupalat on vaihdettava, jos ne ovat alle 0,5 mm vahvuiset. Koska tämä osa on tärkeä turvallisuustekijä, on vaihto tehtävä paikallisessa pyöräkaupassasi.



**VAROITUS:** Älä koskaan koske pyörivään jarrulevyyn. Loukkaantumisen vaara. Kovassa käytössä sekä jarrulevyt että jarrusylinteri voivat kuumeta kovasti. Anna osien jäähtyä tarpeeksi ennen kuin kosket niihin. Jos tarvitset lisätietoja, pyydämme kääntymään paikallisen Coboc-jälleenmyyjän puoleen tai käymään jarruvalmistajan kotisivuilla.

### Vanteiden tarkistus

Tarkista vanteet säännöllisesti, etenkin pyöräilykauden alussa. Tarkista sekä sisäpuoli (vannenauhan alla) että ulkopuoli materiaalin väsymisen ja kulumien, kuten naarmujen, lohkeilun ja muodonmuutosten jne. varalta.

Jos vanteissa havaitaan kovista iskuista aiheutuneita muodonmuutoksia, ne/se on vaihdettava välittömästi. Jos vannetta ei vaihdeta, seurauksena voi olla vakavia vaurioita pintojen kireyden ja vaurioitumisen takia.

### Vaihteet (Ketjun ohjain)



**VAROITUS:** Loukkaantumisen ja/tai tuotevahingon vaara, jos vaihdekomponentit on säädetty väärin tai ne ovat kuluneet loppuun.

Huolehdi siitä, että vaihdejärjestelmän mahdollisen säädön tai vaihdon tarkistaa valtuutettu ammattilainen mahdollisen. Ota yhteys paikalliseen Coboc-jälleenmyyjään, jos joku seuraavista ongelmista ilmenee:

- Ketju hyppii yli tai putoaa pois eturattaalta
- Yksittäiset ketjulenkit, eturatas tai rataspakka ovat loppuun kuluneet tai vialliset
- Vaihteiden vaihtaminen ei toimi oikein
- Takavaihtaja tai muut vaihteiston osat ovat vialliset tai löysällä
- Epätavallista ääntä ajon aikana tai vaihdetta vaihdettaessa

Vaihteiston jäykkyyden tai rajoitinruuvien säätöjen muutokset on tehtävä hyvin pienin muutoksin kerrallaan ja erittäin varovasti. Väärin tehty säätö voi johtaa ketjun hyppäämiseen paikaltaan. Loukkaantumisen ja/tai tuotevahingon vaara. Jos olet epävarma, ota yhteys paikalliseen Coboc-jälleenmyyjään ja pyydä häntä tekemään säädöt puolestasi.

## Vaihteiston säädöt

Oikea kireys vaihdevaijeriin: Vaihda alimman rattaan suurimmalle vaihteelle. Työnnä nyt suuri vaihdevipu ensimmäiseen pidikkeeseen samalla kun liikutat poljinkampea saadaksesi ketjun siirtymään alahammasrattaalta. Jos ketju ei ollenkaan liiku tai hyppää koko matkan ylös, on vaihdevaijerin jännitystä lisättävä.

Avaa säätöruuvia (1) vastapäivään. Älä koskaan ruuvaa säätöruuvia kokonaan irti vaihdinvivusta.

Jos ketju saman tien siirtyy kolmanneksi alimpaan hammasrattaaseen, on vaihdevaijerin kireyttä vähennettävä. Kiristä säätöruuvia (1) kevyesti myötäpäivään.

Jotta ketjut toimivat puhtaasti ja äänettömästi, on ylimmän hammasrattaan pyörittävä kaikilla vaihteilla tasaisesti eturattaan läpi kuvitteellisessa pystysuorassa linjassa pitkin etuvaihtajaa (katso punaista linjaa kuvassa vasemmalla), koska ketju voi tahattomasti vaihtaa toiselle vaihteelle ajon aikana.

Optimaalista vaihteiden toimintaa varten sinun on huolehdittava kaikkien sähköä johtavien osien hyvästä voitelusta. Jos ketjuista kuuluu ääntä joissain hammasrattaissa, se voi olla merkki viasta.

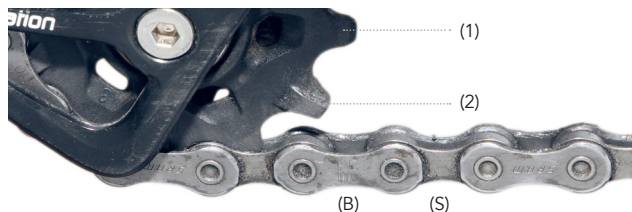
Ota kaikissa epäselvissä tapauksissa yhteys Coboc-liikkeeseen.



## Kunnossapito

### SRAM X-SYNC -voimansiirtojärjestelmä

TEN Merano -pyörän mekaaninen voimansiirtojärjestelmä perustuu SRAM X-SYNC™ -teknologiaan. Tämä teknologia mahdollistaa ketjun täydellisen ohjauksen ketjupyörän ja takavaihtajan välillä.



Ketjupyörä ja takavaihtaja koostuvat erilevisistä hampaista. Leveä hammas (1) istuu tarkasti ketjun leveään lenkkiin (B). Kapea hammas (2) istuu tarkasti ketjun kapeaan lenkkiin (S). Tämä mahdollistaa ketjun täydellisen ohjauksen, eikä ketju pääse putoamaan.



**VAROITUS:** Jos ketju ei ole oikeassa kohdassa ketjupyörässä, polkimet polkevat tyhjä.



**VAROITUS:** Jos ketju ei ole oikeassa kohdassa takavaihtajassa, vaihteet eivät toimi oikein ja niistä kuuluu rämisevä ääni. Henkilövahingon ja/tai tuotevaurion riski.

### Ohjainlaakerin tarkistus/säätö

Tarkista, ettei ohjainlaakerissa ole väljyyttä. Tehdäksesi niin, sinun on vedettävä molemmilla käsillä käsijarrut aivan pohjaan ja samalla työnnettävä pyörää edestakaisin muutaman kerran. Ohjauksen pitää voida kääntyä vähän vasemmalta oikealta, mutta väljyyden pitää pysyä miniminä. Jos väljystä on liikaa, löysätään ruuvit (2) uudelleen. Kiristä hitaasti ruuvia (3), kunnes laakerin vällys ei enää ole liian suuri. Kiristä sitten uudelleen ruuvit (2).



**HUOMAUTUS:** Älä kiristä ruuvia (3) liikaa, koska se voi vahingoittaa ohjainlaakeria. Jos vain ohjaustanko kääntyy, ruuvi (3) voi olla vedetty liian kireälle. Löysää silloin kumpaakin ruuvia (2), ja sen jälkeen aavistuksen verran ruuvia (3). Kiristä lopuksi ruuvit (2) uudestaan.



Coboc työskentelee jatkuvasti sähköpyörien kehityksen eturintamassa. Tämä johtaa älykkäisiin tuotteisiin, joissa toteutuu tekninen kehitys.

Coboc-sovelluksen kautta käytettävissäsi on vielä enemmän toimintoja.

Voit ladata Coboc-sovelluksen ilmaiseksi App Storesta tai Google Playsta.

Koska parannamme ja laajennamme sovellusta jatkuvasti, löydät lisätietoja osoitteesta: <https://www.coboc.biz/en/the-coboc-app/>



Emme valitettavasti voi taata, että sovellus toimii kaikissa älypuhelimissa. Huomioi, että GPS:n jatkuva käyttö voi lyhentää akun käyttöaikaa huomattavasti.



**VAROVASTI:** Navigointiin käytettävä matkapuhelin voidaan asentaa ohjaustankoon. Mutta sinun on pysäytettävä pyöräsi kokonaan, jos käytät sovellusta tai puhelintasi muulla tavoin.

Ennen kuin käytät Coboc-sovellusta julkisilla teillä, sinun on perehdyttävä voimassa oleviin lakeihin ja säädöksiin.

Matkapuhelimen käyttö pyöräillä on yleensä kielletty.

Coboc-pyöräsi ohjelmisto sisältää sisäisen vianetsinnän. Jos elektroniikassa on vikaa, käyttöjärjestelmä kytkeytyy automaattisesti pois päältä ja vika ilmoitetaan vilkkuvilla LED-merkkivaloilla pyörän vaakaputkessa. Yhteensä virhekoodoja on neljä ja niiden merkitys seuraava:

Yksi ledi vilkkuu sinisenä	Akun varaus on matala. Lataa akku.
Kaksi lediä vilkkuvat punaisena	Sammuta ja käynnistä Coboc-pyöräsi uudelleen. Jos virhe toistuu useita kertoja, ota yhteys Coboc-jälleenmyyjään.
Olme lediä vilkkuvat punaisena	Virhe keskiön anturissa. Ota yhteys Coboc-jälleenmyyjään.
Neljä lediä vilkkuvat punaisena	Virhe moottorin kytkentäkaapelissa. Tarkista moottorin pistokeliitäntä. Sammuta ensin Coboc-pyöräsi siten, että moottorin kaapeli ei ole enää jännitteinen. Irrota nyt pistokeliitäntä ja tarkista, onko siinä vikoja tai kosteutta. Coboc-jälleenmyyjän tai valtuutetun ammattilaisen on korjattava viallinen liitin.  Kuivaa osat huolellisesti, jos liittimeen on tullut kosteutta. Kokoa ja kiinnitä osat uudestaan. Käynnistä Coboc-pyöräsi. Jos virhe toistuu useita kertoja, ota yhteys Coboc-jälleenmyyjään.  Tarkista, onko moottorin kaapelissa vaurioita. Jos kaapeli on vahingoittunut, pyörää ei saa käynnistää. Avoimet liitokset voivat aiheuttaa sähköiskun. Ota heti yhteys Coboc-jälleenmyyjäsi.

## Kiristysmomentit (Nm)

Osa	Ruuvaus	Työkalu	Momentti Nm
Etupyörä	Akselipultit VR	Kuusiokoloavain 6 mm	8 Nm
Takapyörä	Akselipultit HR	Kiintoavain 18 mm	25 Nm
Ohjaustanko ja ohjainkannatin	Ohjainkannatin (kiristimen säätöruuvit)	Kuusiokoloavain 5 mm	5,2 Nm
Ohjaustanko ja ohjainkannatin	Ohjainkannatin (ohjaustangon säätöruuvit)	Kuusiokoloavain 4 mm	5,2 Nm
Ohjaustanko ja ohjainkannatin	Top cap	Kuusiokoloavain 5 mm	0,5-1 Nm
Ohjaustanko ja ohjainkannatin	Käsijarrujen (kiristimen säätöruuvit)	Kuusiokoloavain 5 mm	6-8 Nm
Jarrujärjestelmä	Jarrusylinteri	Kuusiokoloavain 5 mm	5-7 Nm
Satula	Satulan kiristin	Kuusiokoloavain 5 mm	9 Nm
Satula	Satulatolpan kiristin (säätöruuvi)	Kuusiokoloavain 4 mm	5 Nm
Mekaaninen käyttöjärjestelmä	Rataskampi	Kuusiokoloavain 5 mm	12 Nm
Mekaaninen käyttöjärjestelmä	Kampisarja	Kuusiokoloavain 8 mm	40 Nm
Mekaaninen käyttöjärjestelmä	Takavaihtaja	Kuusiokoloavain 5 mm	10 Nm
Irto-osat	Polkimet	Kuusiokoloavain 6 mm	35 Nm
Irto-osat	Tukijalka	Kuusiokoloavain 5 mm	6 Nm
Etulokasuoja	Haarukan dropout	Kuusiokoloavain 3 mm	2-2,5 Nm
Etulokasuoja	Haarukan päällinen	Kuusiokoloavain 4 mm / kiintoavain 10 mm	4 Nm
Takalokasuoja	Rungon ja laukkipidikkeiden varusteet	Kuusiokoloavain 3 mm	2-2,5 Nm
Laukkipidikkeet	Takahaarukka	Kuusiokoloavain 4 mm	4 Nm
Laukkipidikkeet	Dropout	Kuusiokoloavain 4 mm	4 Nm

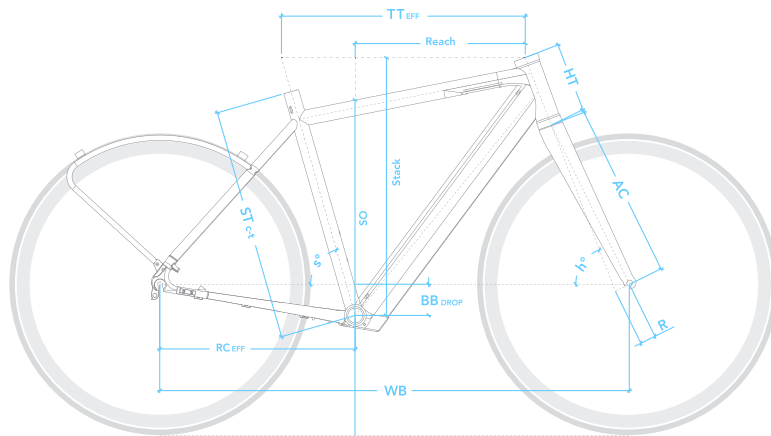
## Tekniset tiedot

167

Runko	6000er Alumiini, sisäpuolen vaijerit
Väri	Free Blue, metallic
Koot	S, M, L, XL
Laukkupidikkeet	Coboc integroitu sivuteline, irrotettava
Lokasuojat	Curana C-Lite, 55 mm
Haarukka	Carbon, straight design
Headset	Acros 3x tiiviste
Akku	Li-Ion, 36V, 380 Wh
Lataus	2 tuntia
Ajomatka	70-100 km
Sähkökäyttö	250 W / max. 500 W
Etuväli	Supernova E-Bike Mini 2

Takavallo	Coboc Design, LED integroitu runkoon
Mekaaninen Veto	SRAM GX, 1x11
Pakka	Sunrace CSMX8 11 vaihdetta, 11-42
Kampisarja / Rataskampi	Andel / 40T, narrow-wide, integroitu ketjusuoja
Jarrut	TRP TDK128, Hydrauliset levyjarrut, 160 mm
Satula	Selle Royal Essenza Athletic
Satulatolpan	Alumiini, 27,2 mm x 350 mm
Vanteet	Alexrims Volar 23 (650B)
Renkaat	WTB Byway 650B (47x584)
Polkimet	Coboc URB, CNC Alumiini
Paino	16 kg

## Runkogeometria



SIZE	STc-t	TTEFF	HT	h°	s°	R	AC	RCEFF	WB	BBdrop	Reach	Stack	SO
S	498	529	145	69,5	75	45	407	444	1060	72	376	569	732
M	530	557	165	70	74	45	407	444	1075	70	389	588	760
L	560	596	185	71	73,5	45	407	444	1099	70	416	611	788
XL	590	635	205	71,5	73	45	407	444	1127	70	442	632	814

**STc-t** seat tube length center to top

**SO** standover height

**TTEFF** effective top tube length

**HT** head tube length

**BBdrop** bottom bracket drop

**RCEFF** chain stay length

**WB** wheelbase

**h°** head tube angle

**s°** seat tube angle

**R** rake

**AC** fork length

**Stack** vertical length BB to top of HT

**Reach** horizontal length BB to top of HT

Suosittelavat runkokoot, **Koko S** = 158 – 170 cm, **Koko M** = 168 – 180 cm, **Koko L** = 178 – 190 cm, **Koko XL** = 188 – 200 cm



Coboc GmbH & Co. KG:n takuun yleiset ehdot ostajille / loppu-kuluttajille (jäljempänä "asiakas").

Kaikkia tämän käyttöohjeen käyttö- ja turvallisuusohjeita on noudatettava, jotta varmistetaan optimaalinen ajonautinto ja pyörän monen vuoden käyttöikä. Ohjeiden noudattaminen on edellytyksenä takuun voimassa ololle ja sen ehtojen pätevyydelle. Suosittelemme, että rekisteröit tuotteesi 14 päivän kuluessa hankinnasta osoitteessa [www.coboc.biz/en/warranty/](http://www.coboc.biz/en/warranty/).

Reklamaatiovaatimukset Coboc GmbH & Co. KG:n yhteistyökumppaneille jäävät ulkopuolelle.

Alla olevien takuuaikojen puitteissa Coboc GmbH & Co. KG takaa täyden toimivuuden:

Runko	5 vuotta
Moottori ja sen hallintajärjestelmä	2 vuotta
Akku (viallinen, kun kapasiteetin menetys > 40 %)	2 vuotta enintään 1000 latausta
Laturi	2 vuotta

Coboc GmbH & Co. KG pidättää oikeuden takuun piiriin kuuluvan huollon yhteydessä komponentteja vaihdettaessa toimittaa tai asentaa muita, mutta vastaavanlaisia osia.

Edellytykset takuuvaatimuksille alkavat todistetusta ostopäivästä.

Takuuoikeuksien saamiseksi kyseinen tuote on palautettava valtuutetulle Coboc-jälleenmyyjälle tai Cobocille (Heidelberg, Saksa).

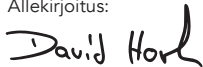
Jos käyttäjärjestelmään, moottoriin tai ohjelmistoon tehdään luvattomia muutoksia, kaikki Coboc GmbH & Co. KG:n takuuta koskevat velvoitteet raukeavat. Tämä ei koske takuunalaisia osien vaihtoja eikä alkuperäisen Coboc-ohjelmiston ohjelmistopäivityksiä, jonka tekee valtuutettu Coboc-jakelukumppanit.

Valmistajan takuu ei kata demopyöriä, testipyöriä ja/tai käytettyjä tuotteita, jotka ovat kuluneet ennen kuin asiakas on ostanut ne. Emme anna mitään takuuta virheellisestä säilytyksestä johtuvista virheistä. Erityisesti huomautamme, että sähköpyörissämme olevien litiumioni-akkujen varaustaso on tarkistettava säännöllisesti ja että latausta tarvitsevat akut on ladattava. Yksityiskohdat tästä aiheesta löytyvät käyttöohjeista.

## Huolto

Voit ostaa alkuperäisiä varaosia, vaikka takuu aika olisi kulunut umpeen. Tarvitessasi huoltoa ja varaosia Suomessa ota yhteys myymälään, josta sähköpyörä on ostettu. Reklamaatioilmoituksen voit tehdä myös osoitteessa [www.witt.fi](http://www.witt.fi) 'Huolto' -välilehden ja lomakkeella 'Ebikes'.

## Vaatimuksenmukaisuusvakuutus

Valmistaja	Coboc GmbH & Co. KG Kurfürstenanlage 58 69115 Heidelberg Saksa Tel: +49 ( 0 ) 6221 435 28 10
Vahvistettu tuotteille:	TEN Merano
Tuotantovuosi:	2021
Yhdenmukaisuus seuraavien direktiivien kaikkien asiaankuuluvien säädösten kanssa:	- (2006/42/EG) Koneet - (2004/108/EG) Sähkömagneettinen yhteensopivuus
Seuraavia yhdenmukaistettuja standardeja on käytetty:	Sähköavusteiset polkupyörät - EPAC-pyörät; Saksalainen versio EN15194: 2017
Tekninen dokumentaatio:	Coboc GmbH & Co. KG Kurfürstenanlage 58 69115 Heidelberg Saksa Tel: +49 ( 0 ) 6221 435 28 10
David Horsch (Toimitusjohtaja)	Allekirjoitus: 

**Coboc GmbH & Co. KG**

Kurfürstenanlage 58  
69115 Heidelberg  
Tyskland  
Tel: +49 (0) 6221 435 28 10

[www.coboc.biz](http://www.coboc.biz)